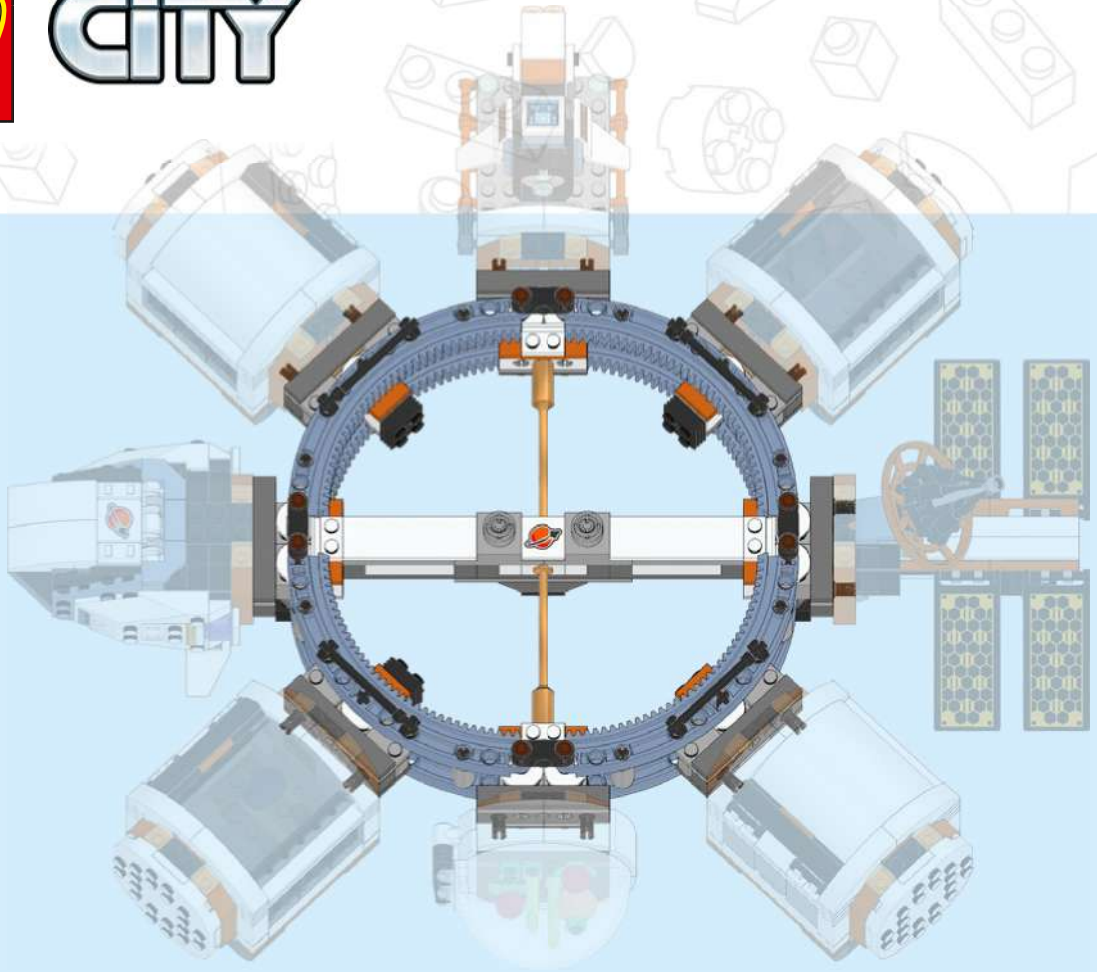




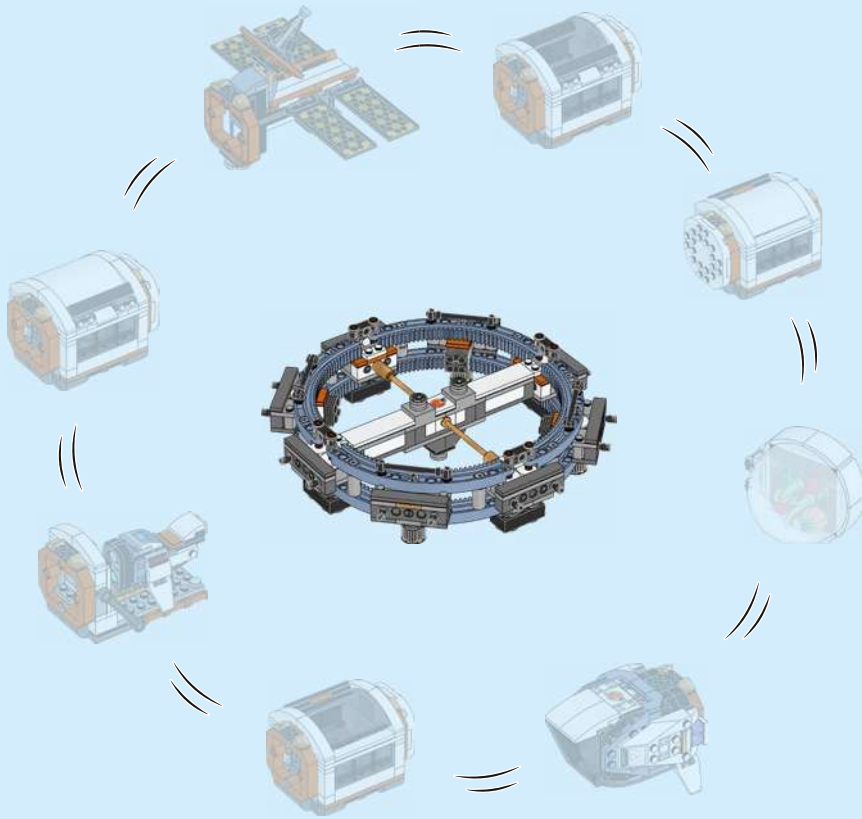
CITY

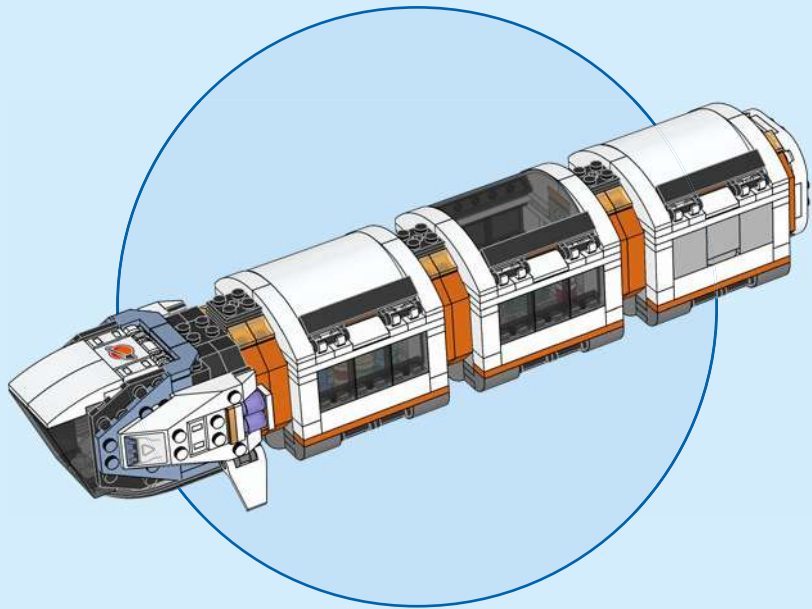
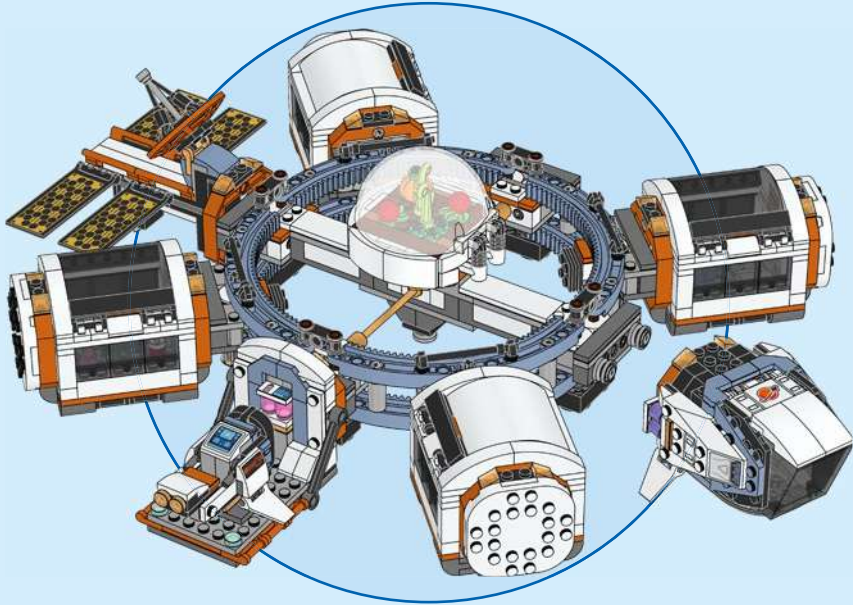
60433

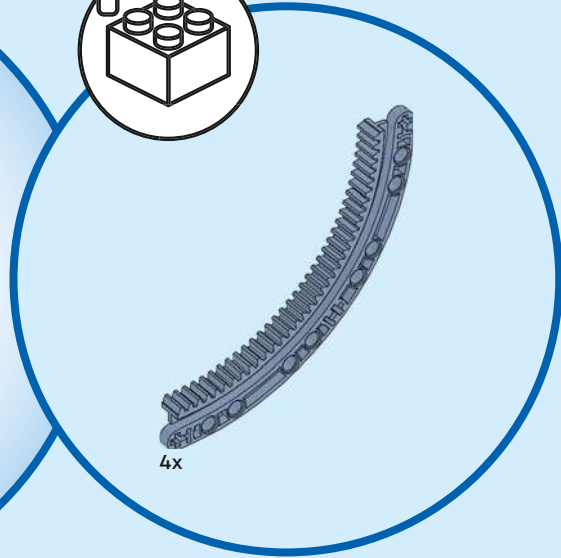
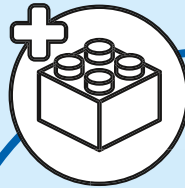


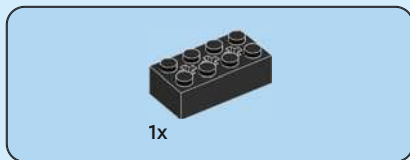
2

3

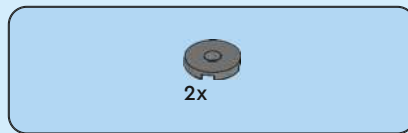
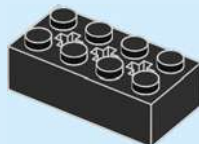




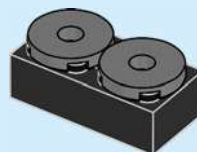


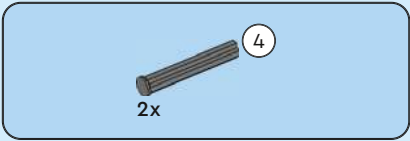


1

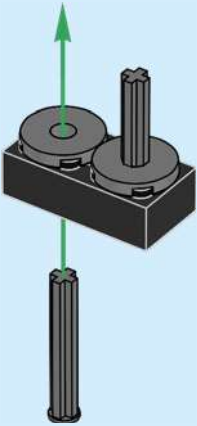


2

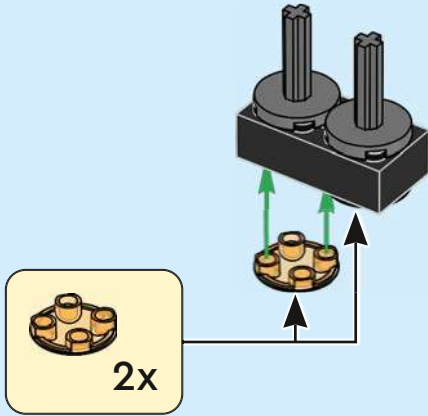


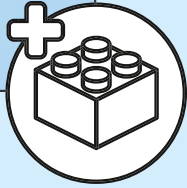
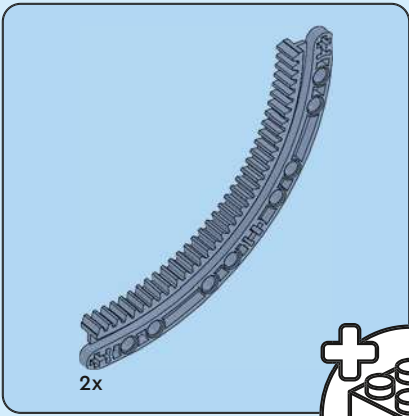


3

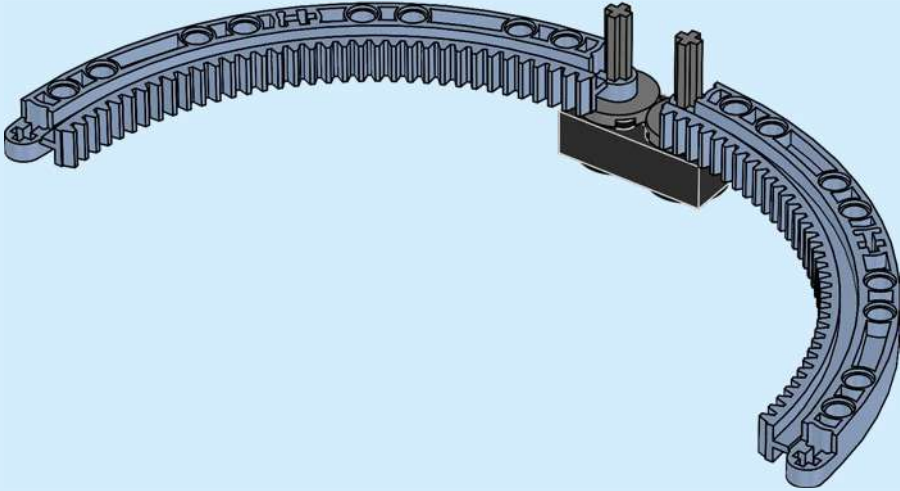


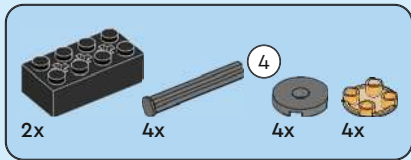
4



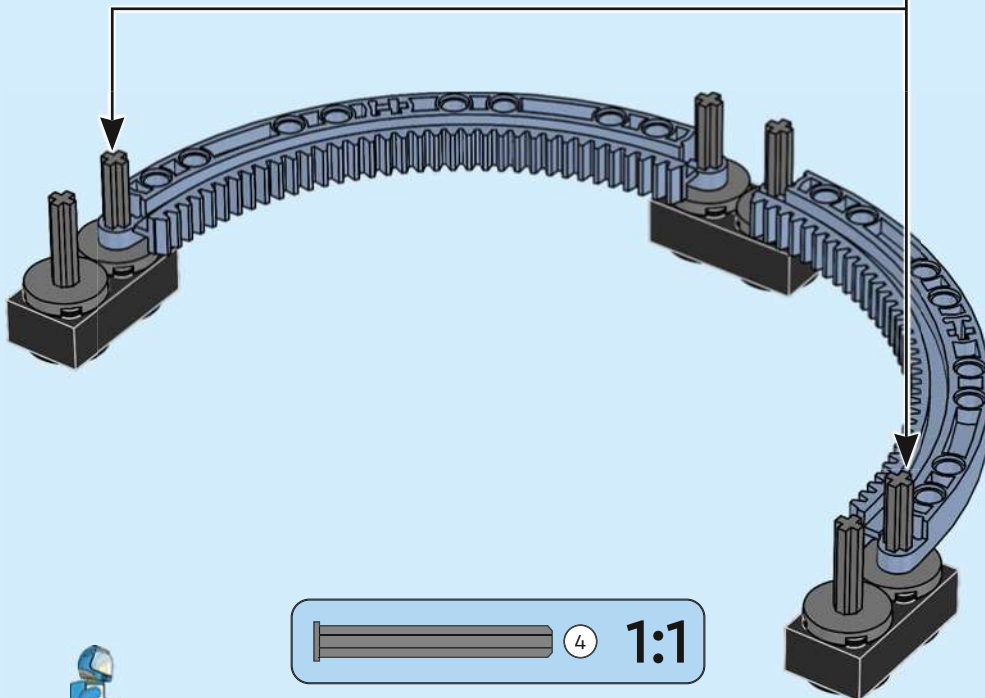
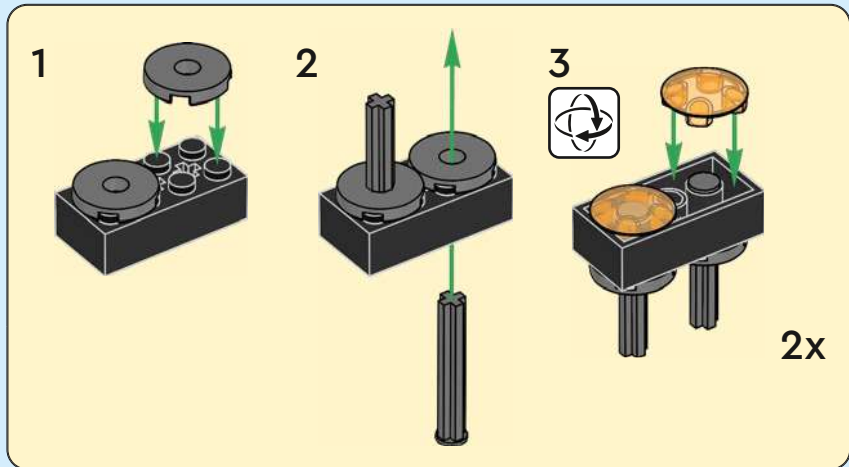


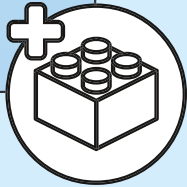
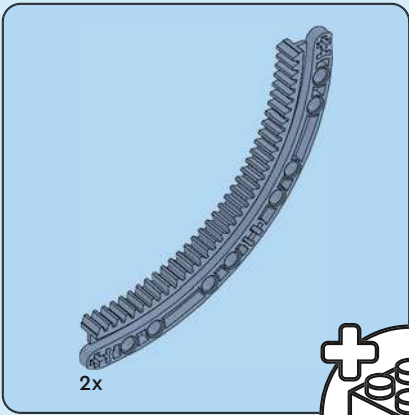
5



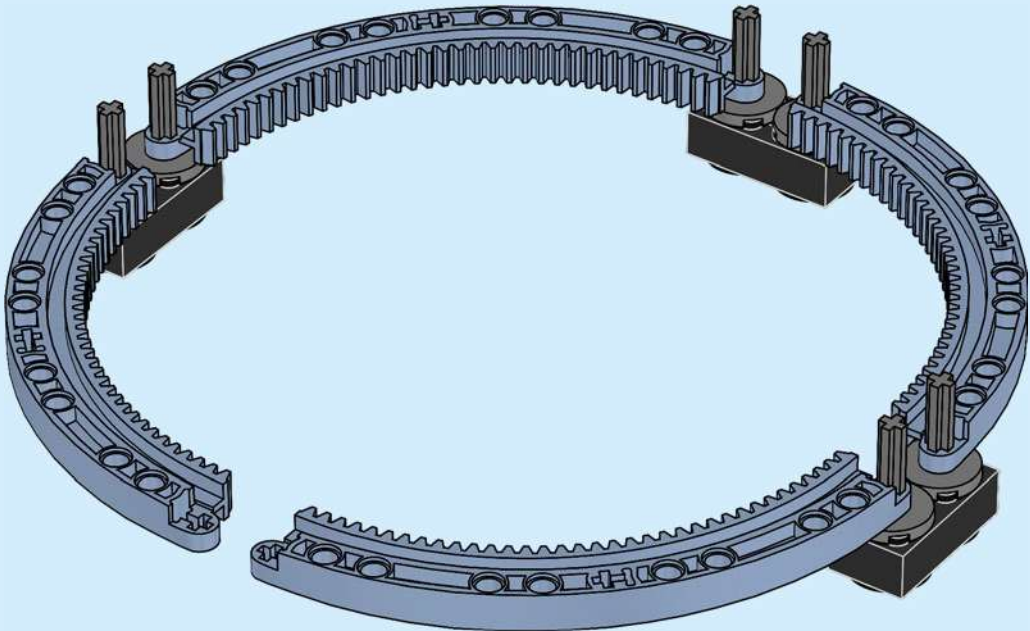


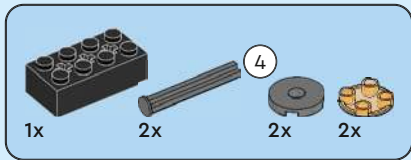
6



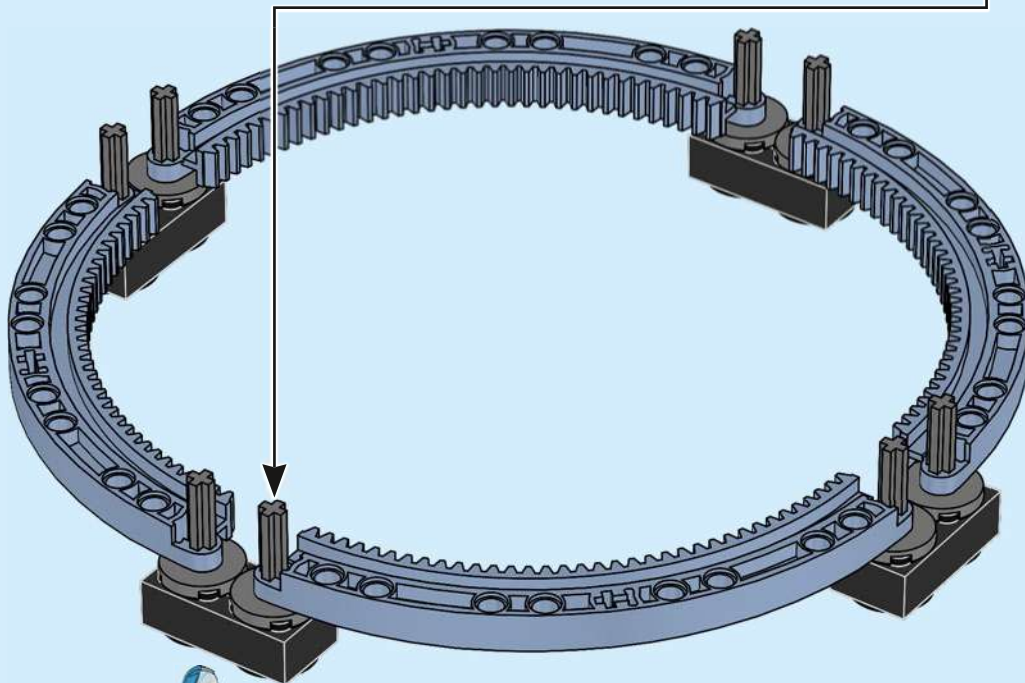
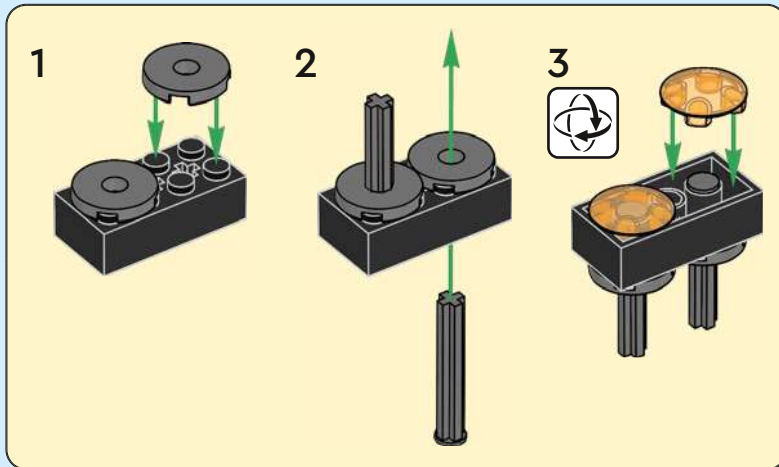
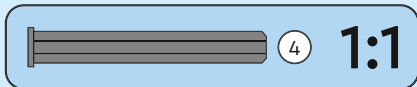


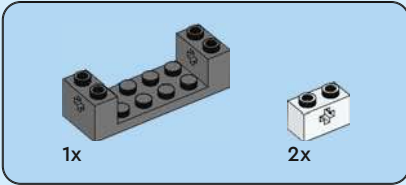
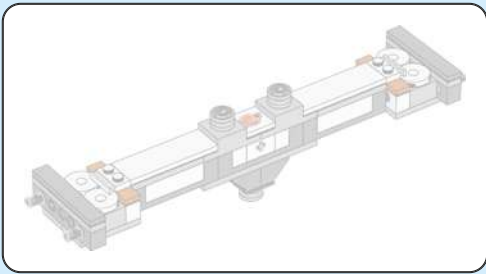
7



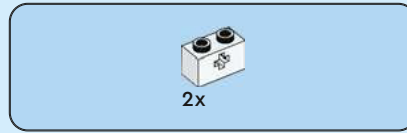
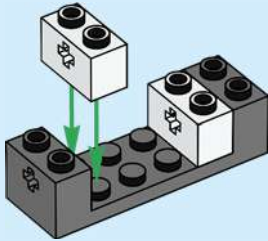


8

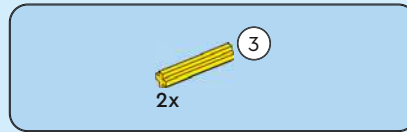
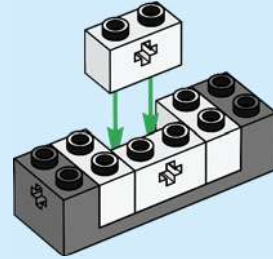




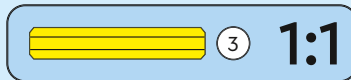
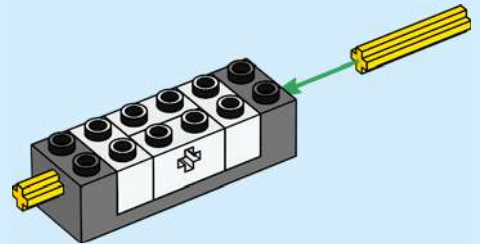
9

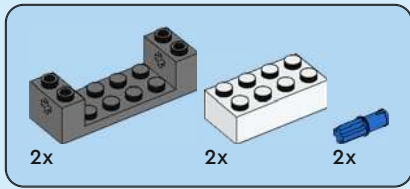


10

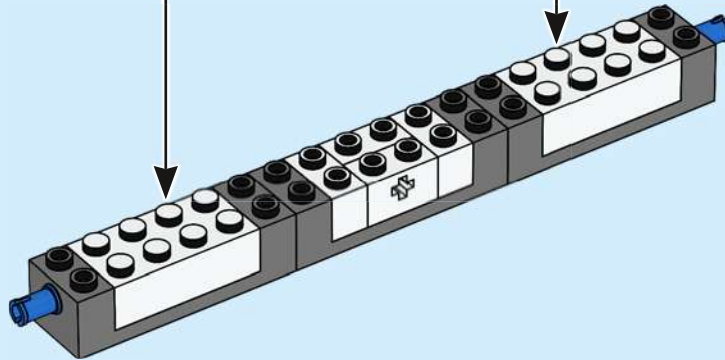
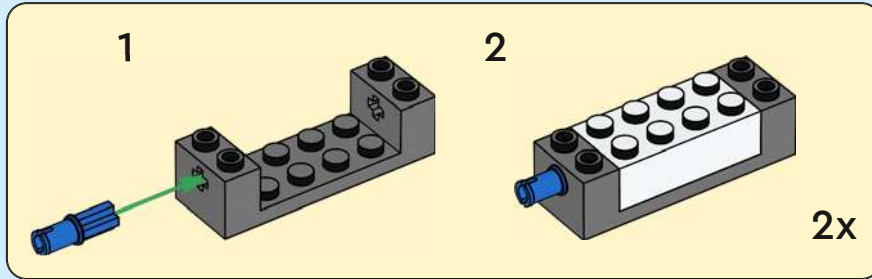


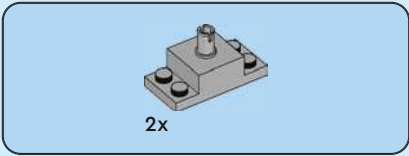
11



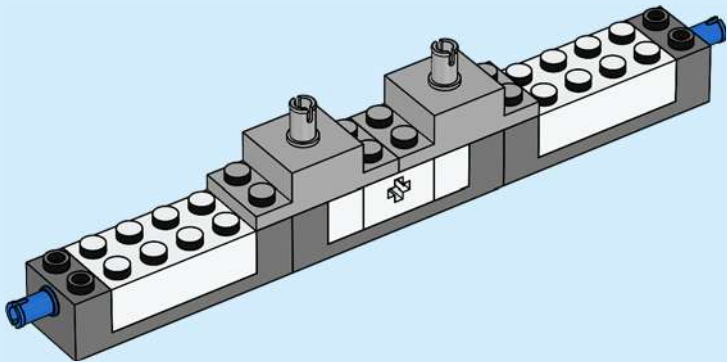


12





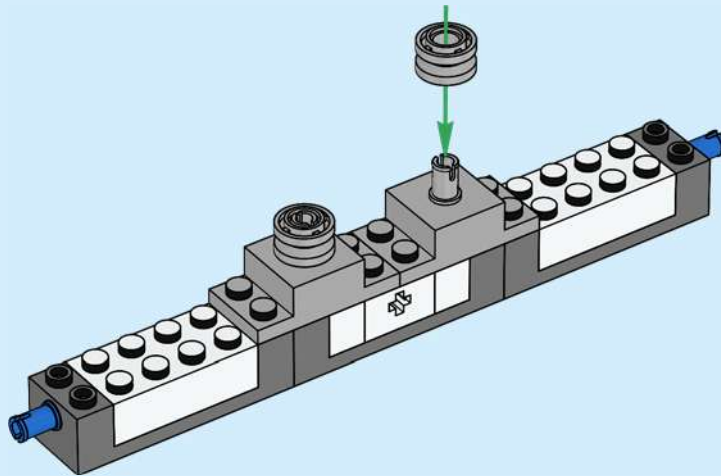
13





2x

14





2x



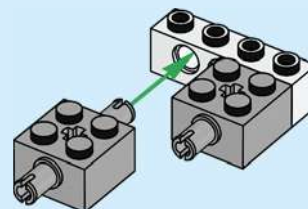
1x

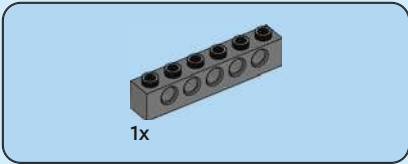
15



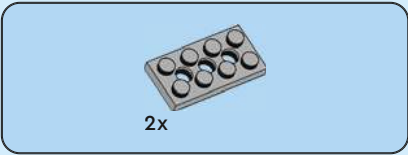
2x

16

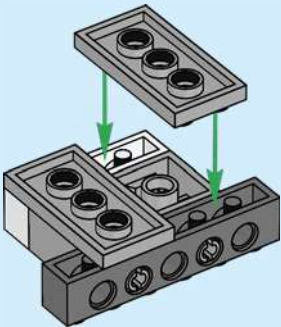




17

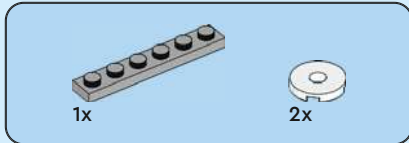


18

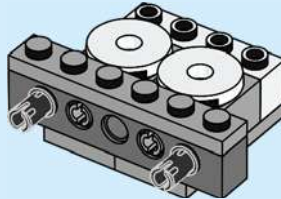


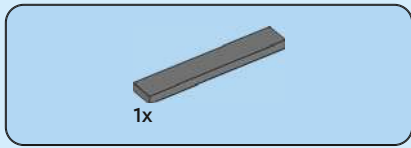


19

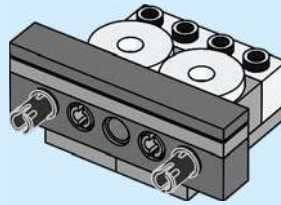


20





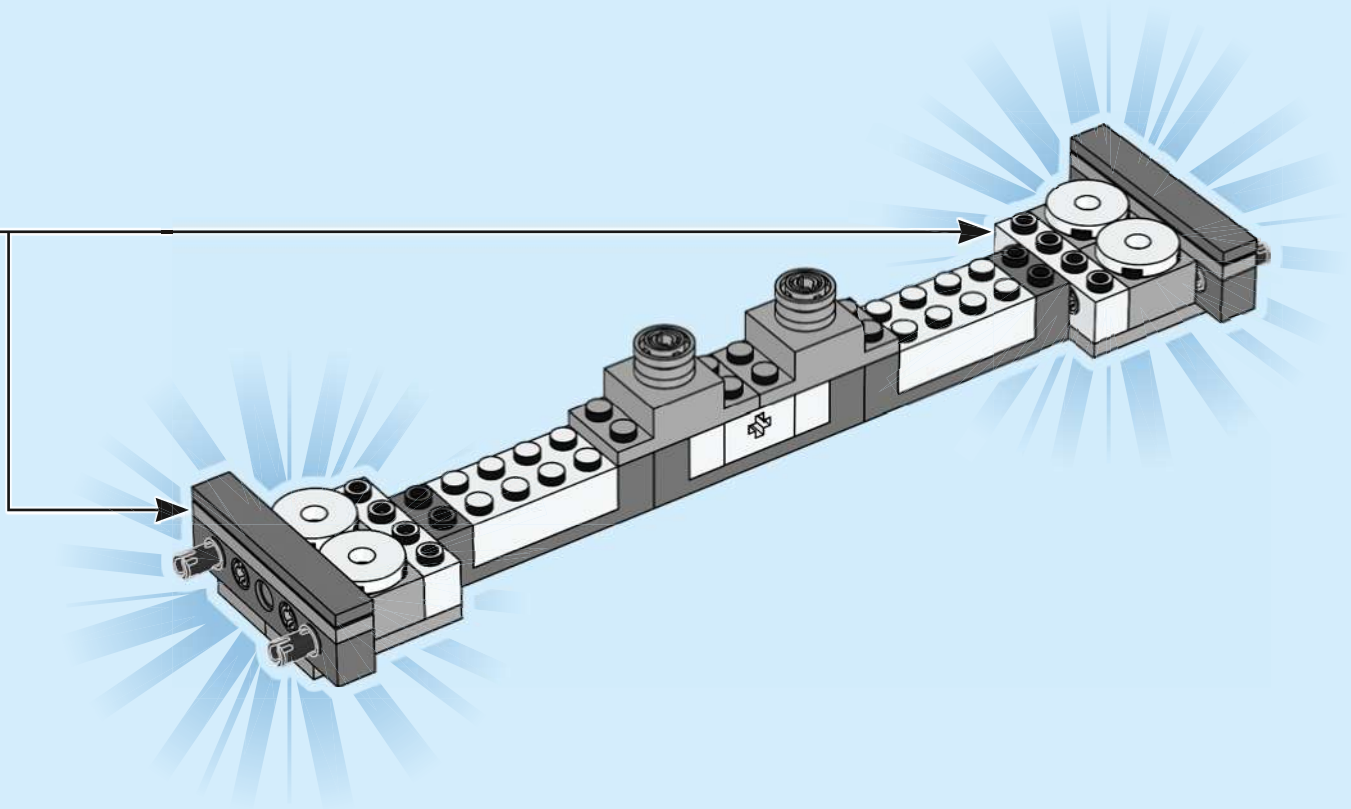
21

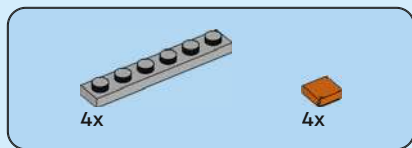


2x

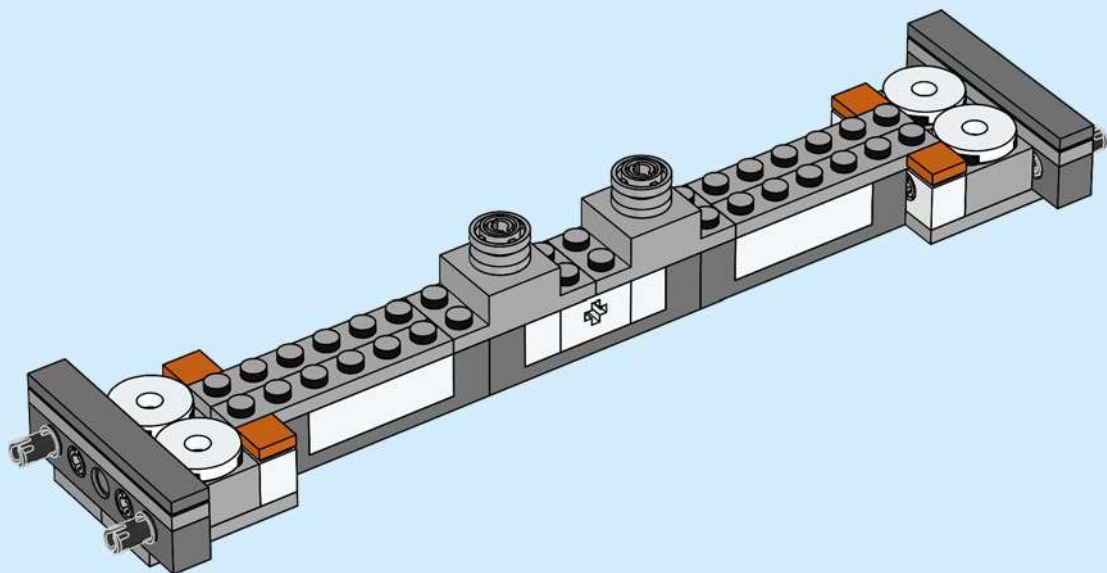


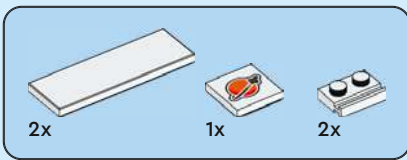
22



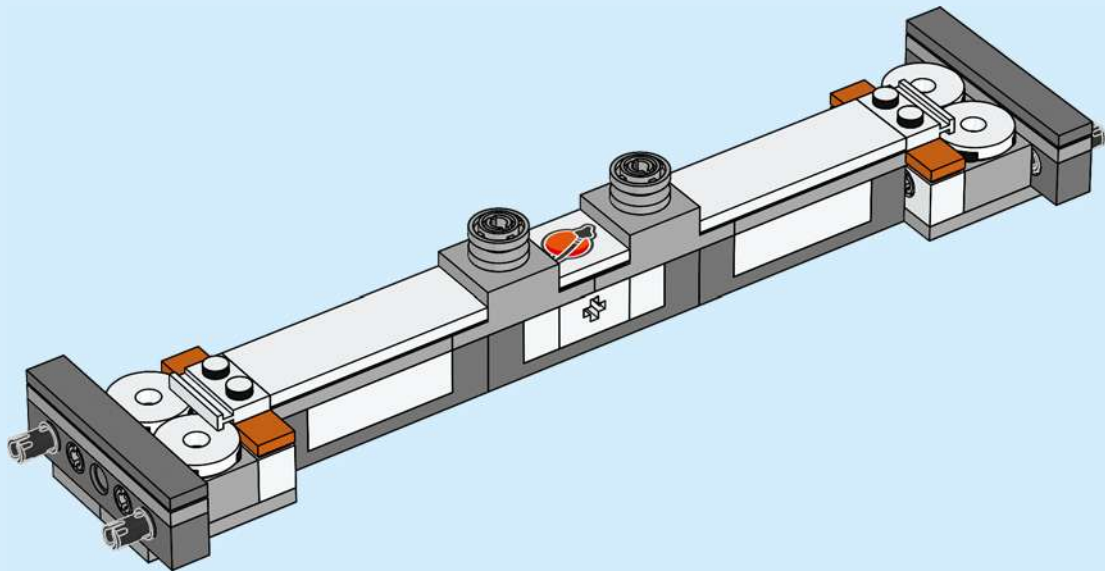


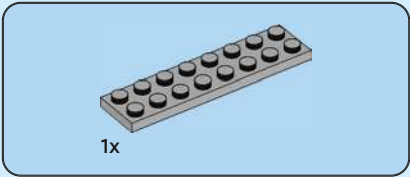
23



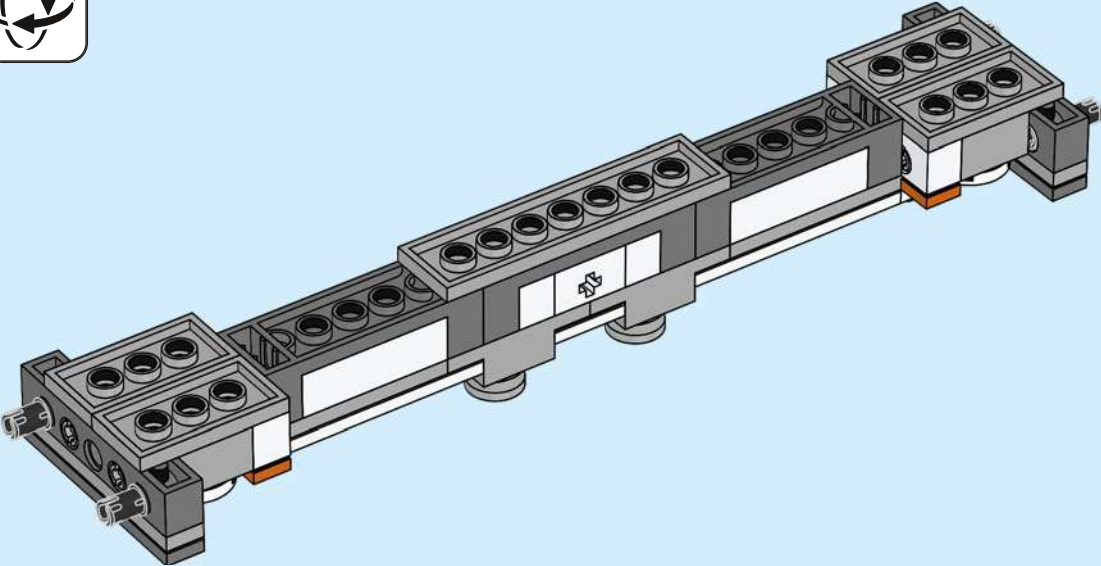


24





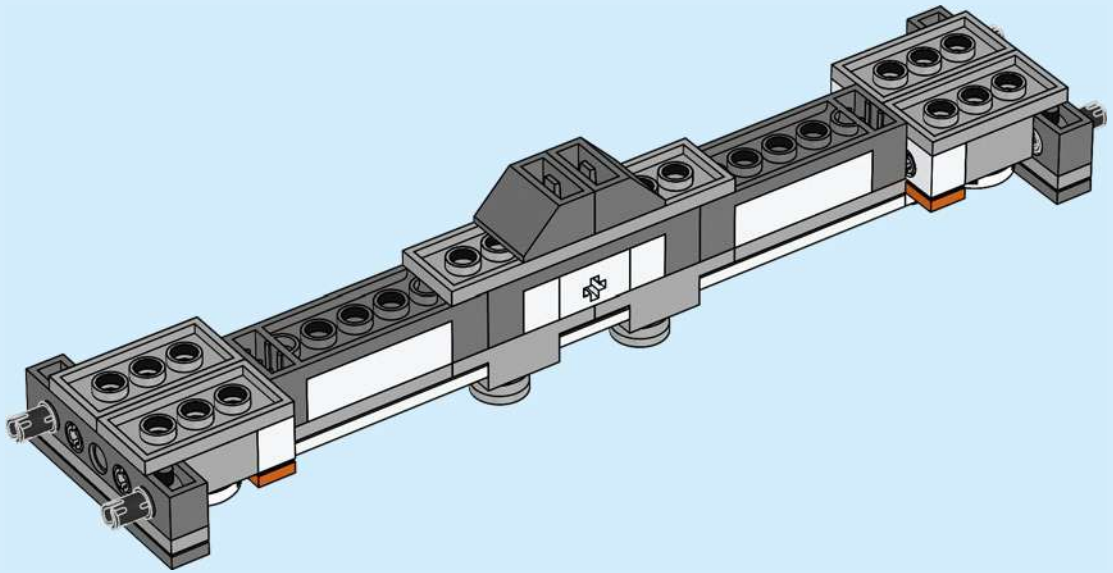
25





2x

26



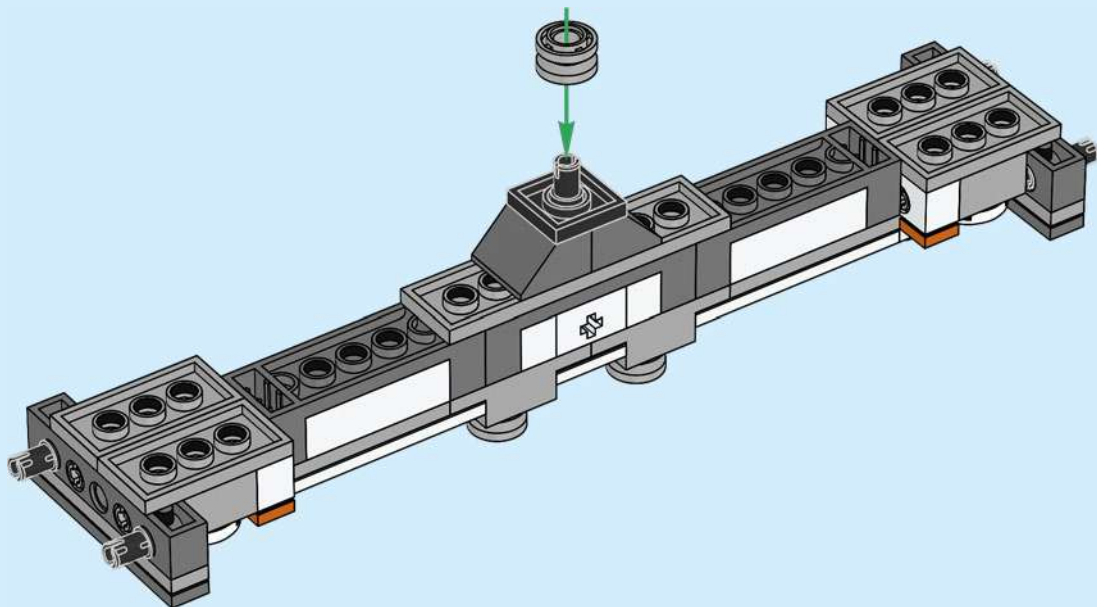


1x

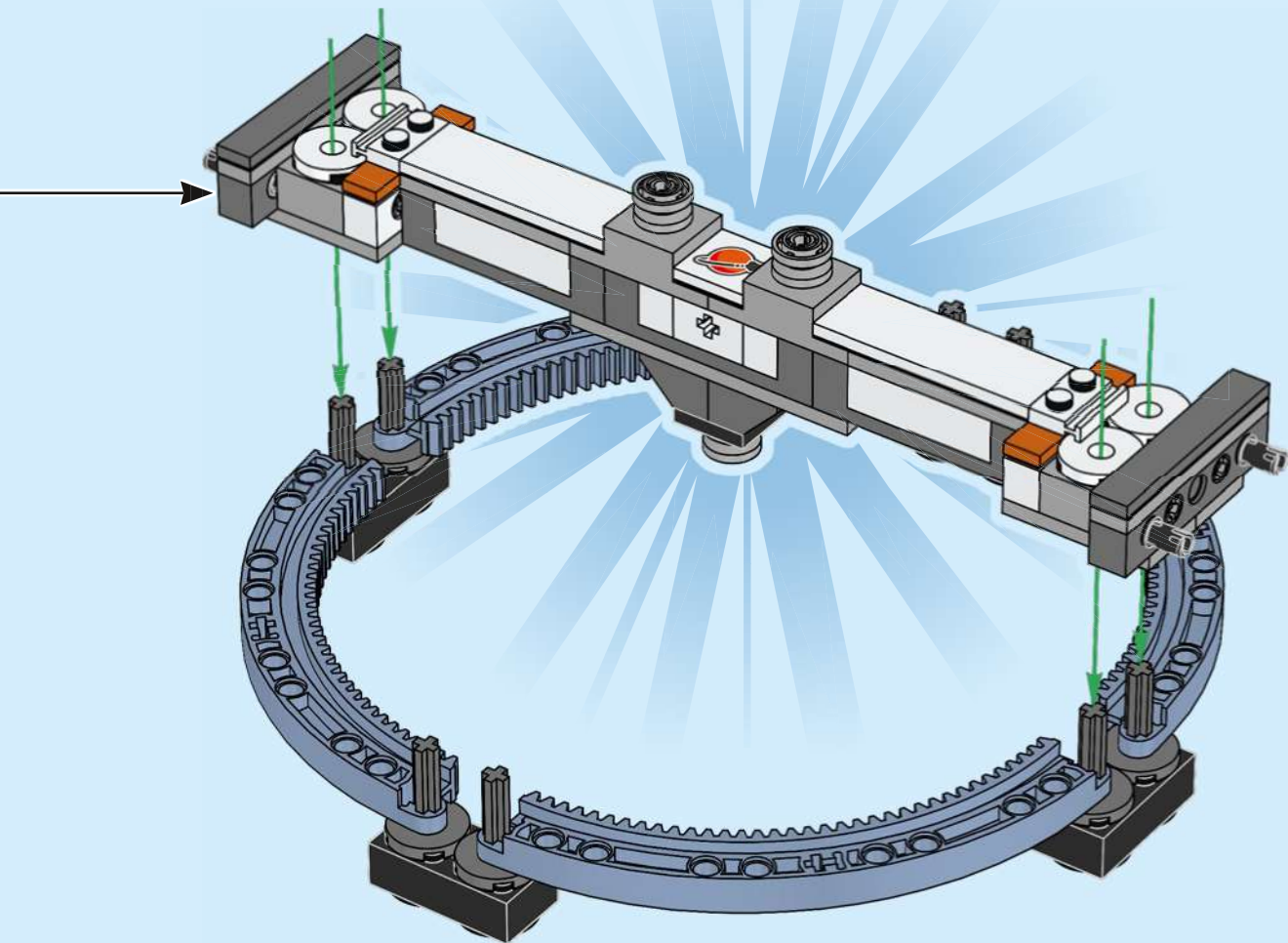


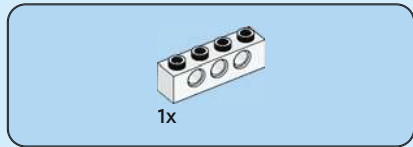
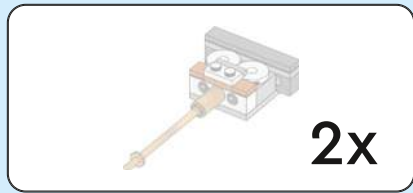
1x

27

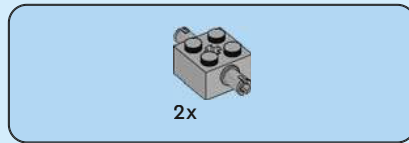


28

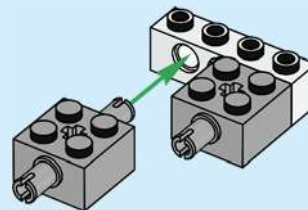


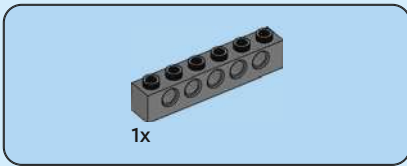


29



30

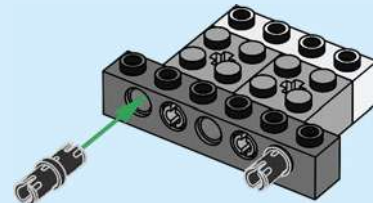


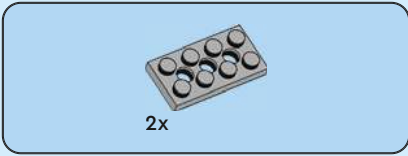


31

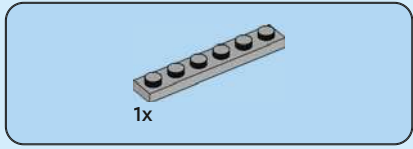
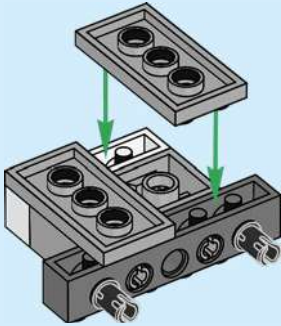


32

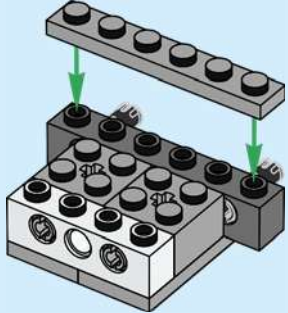




33



34



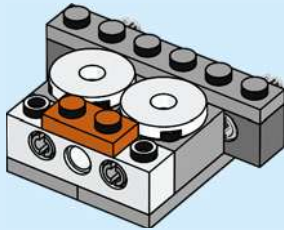


2x



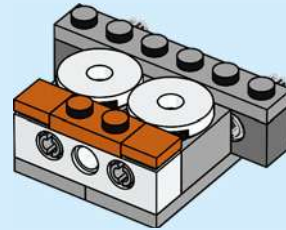
1x

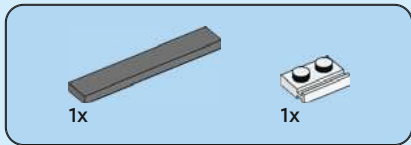
35



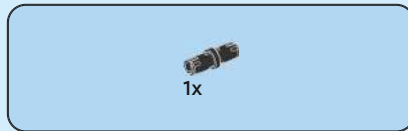
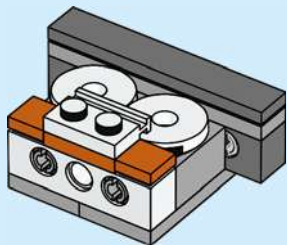
2x

36

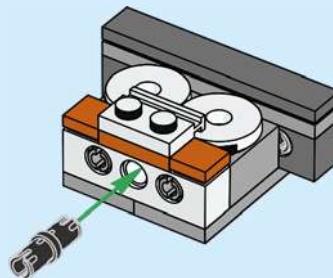


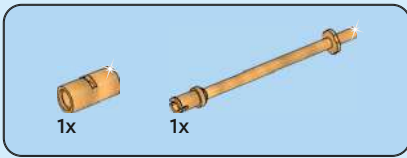


37

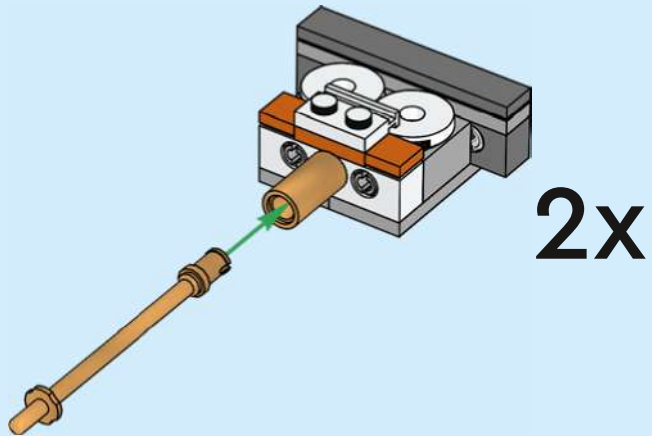


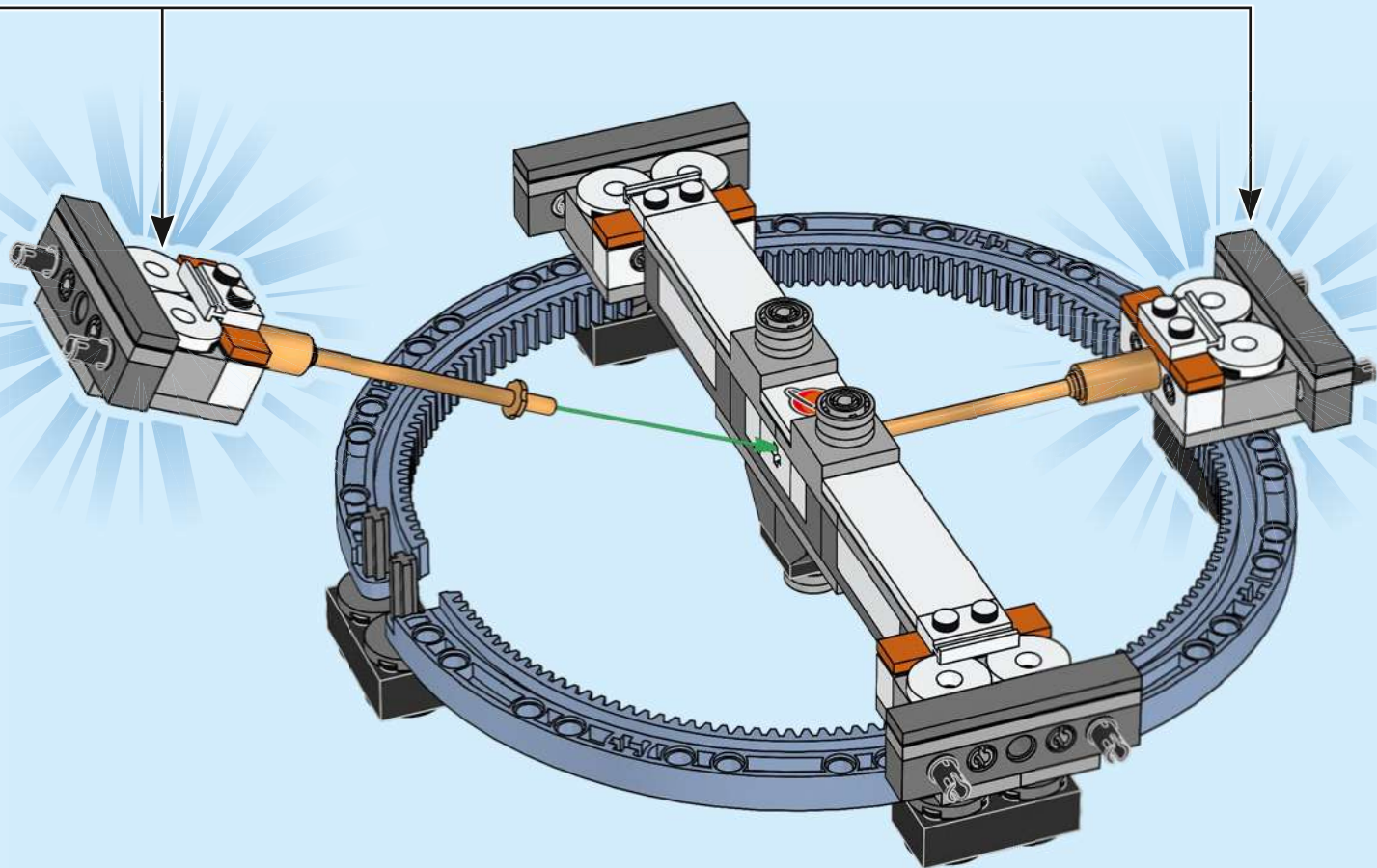
38

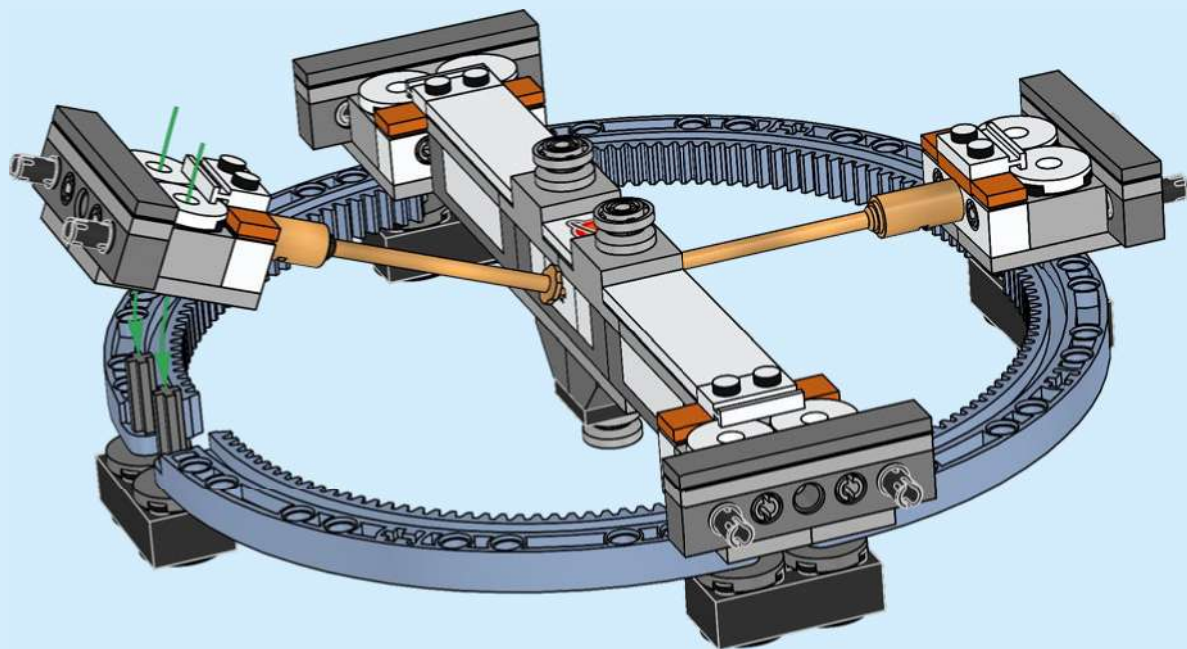


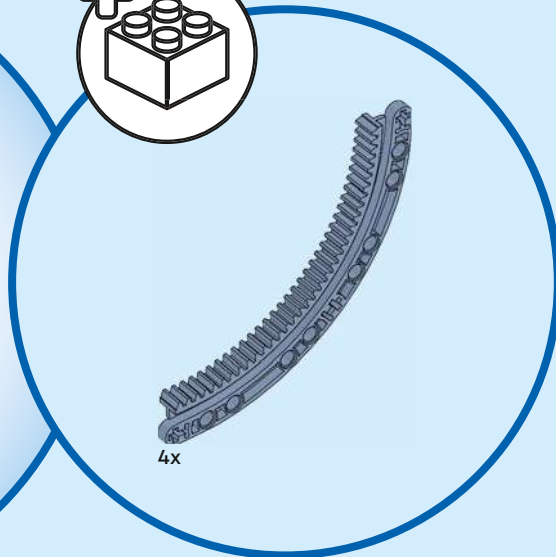
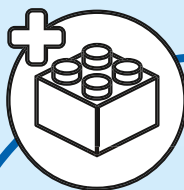


39









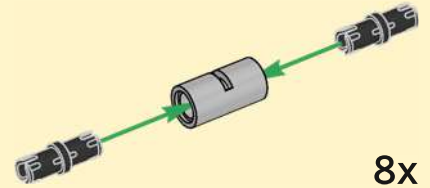


8x

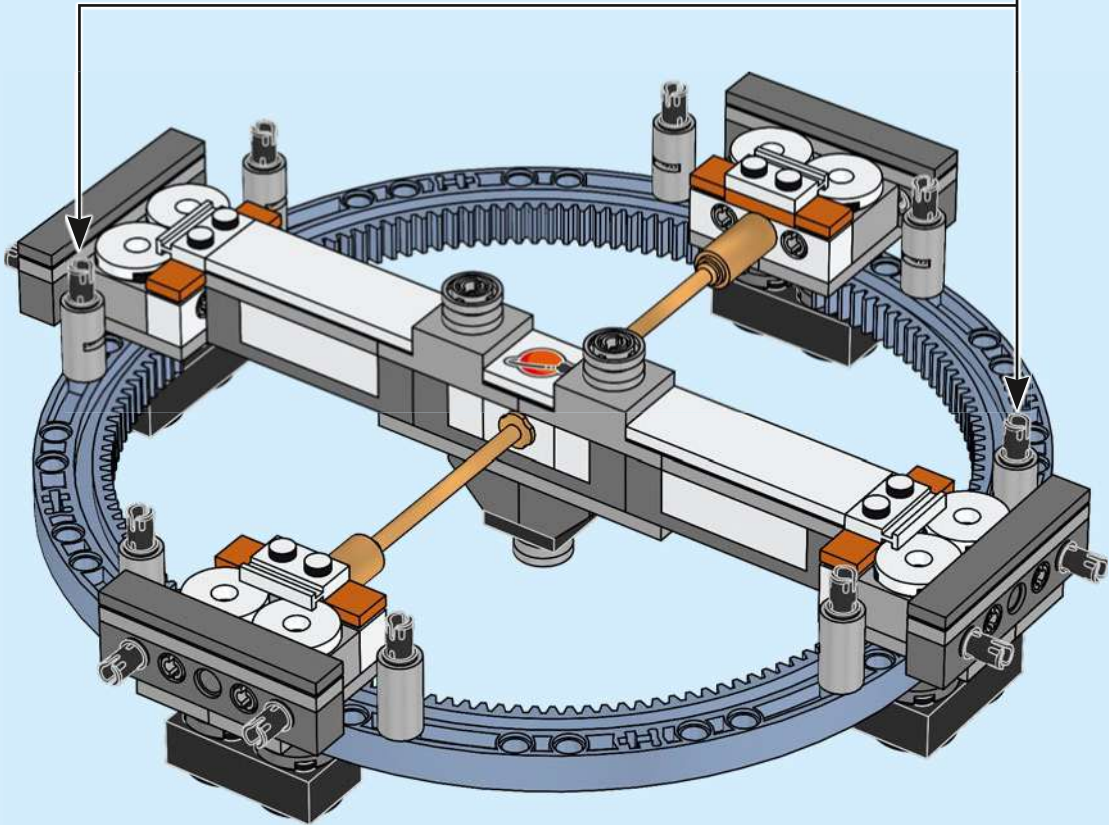


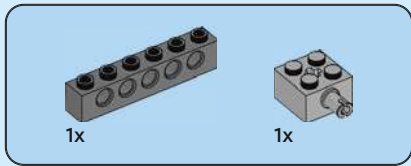
16x

42

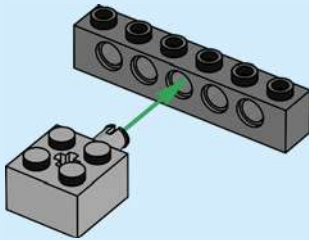


8x

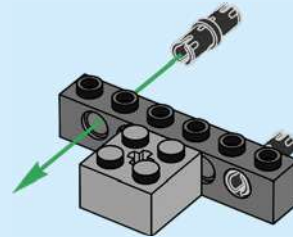




43



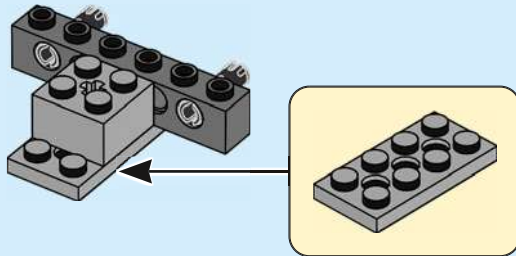
44





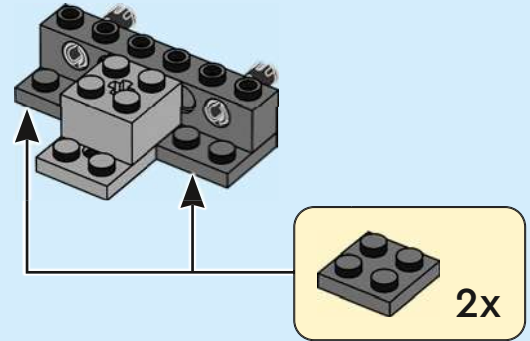
1x

45



2x

46



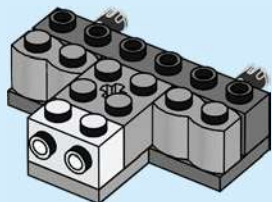


2x



1x

47

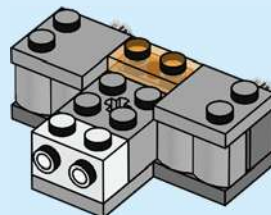


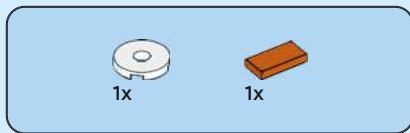
2x



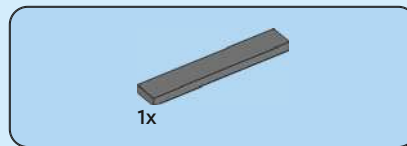
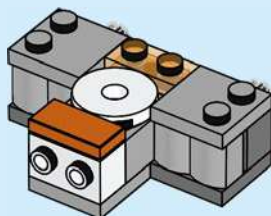
1x

48

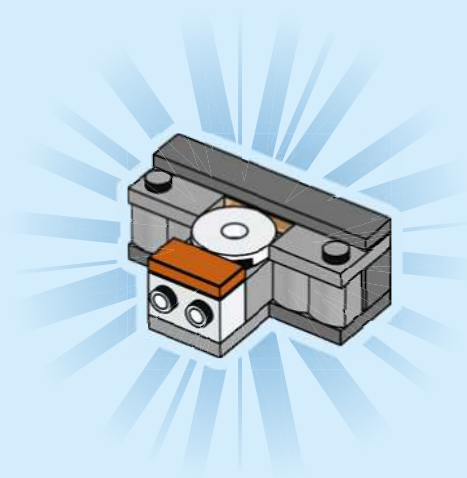


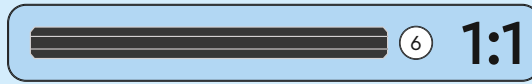
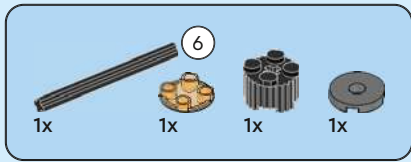


49



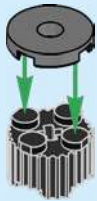
50





51

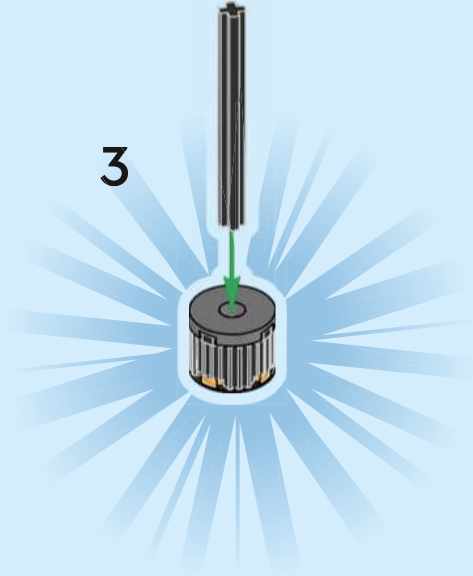
1

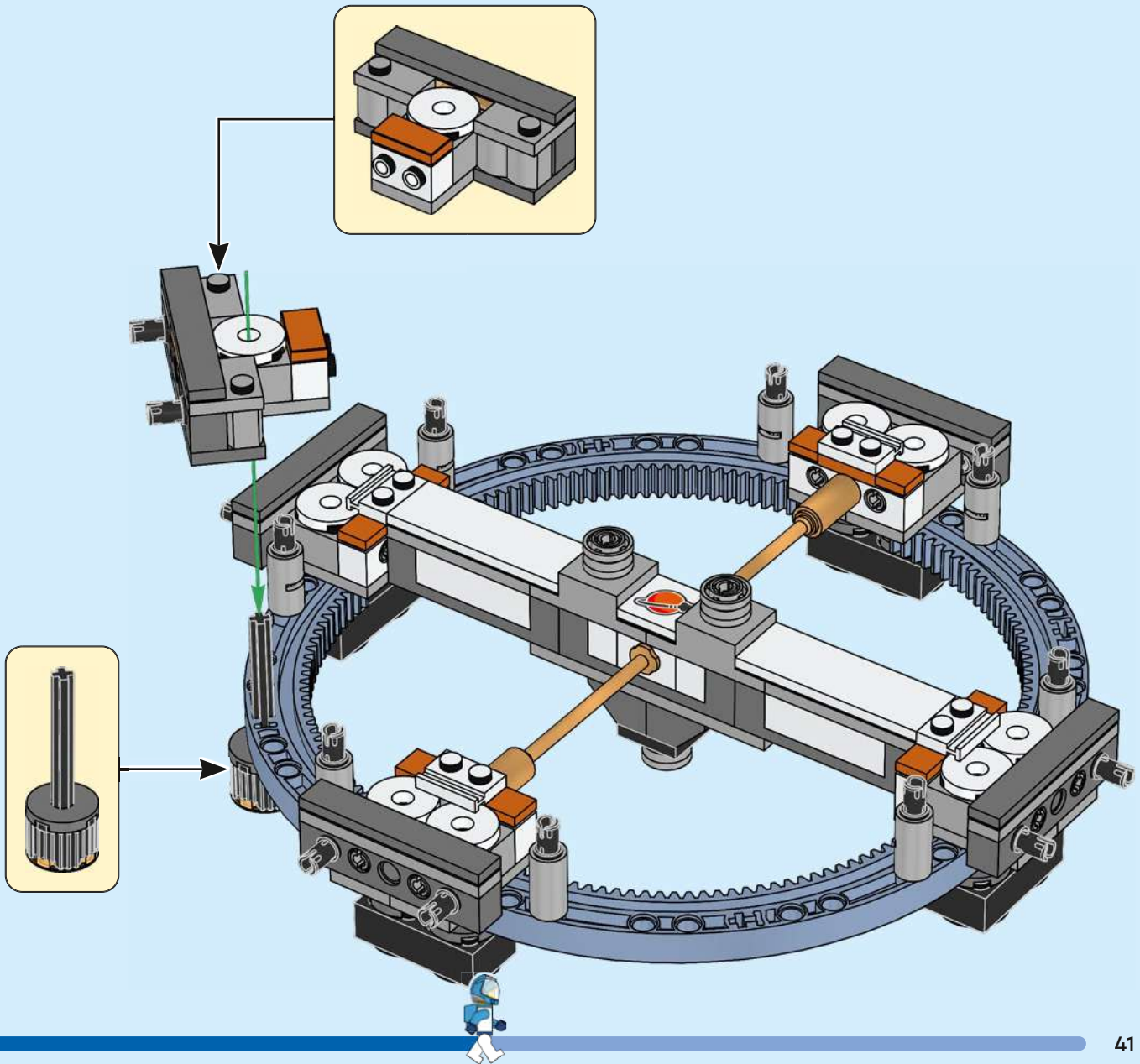


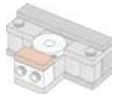
2



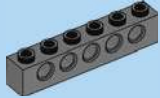
3







3x

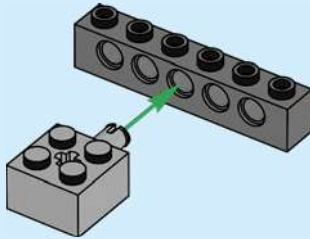


1x



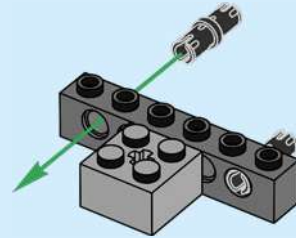
1x

52



2x

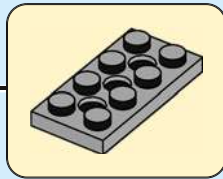
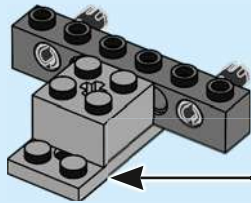
53





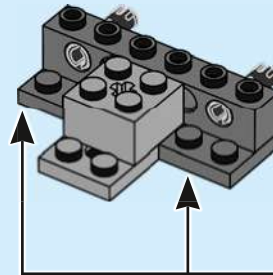
1x

54



2x

55



2x



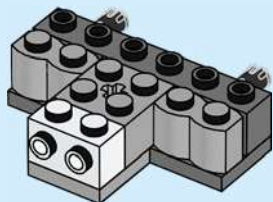


2x



1x

56

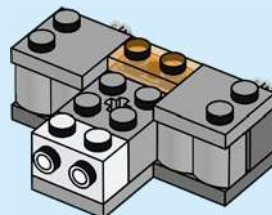


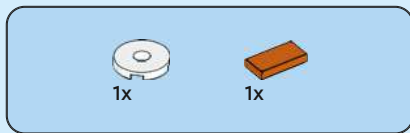
2x



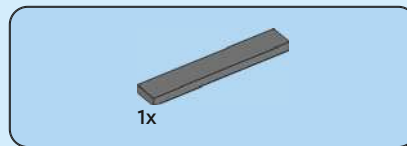
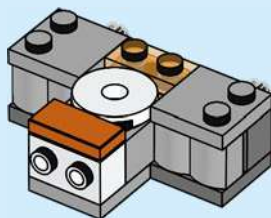
1x

57

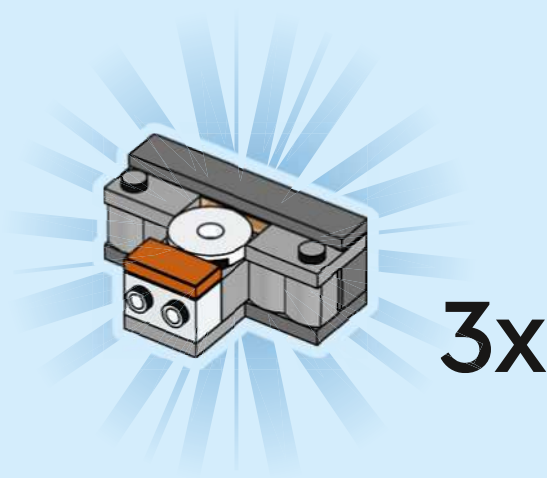


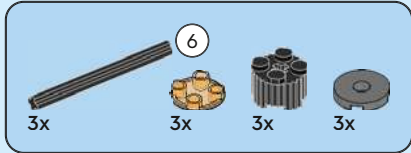
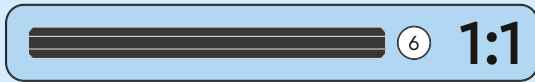


58



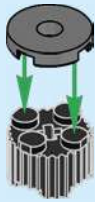
59





60

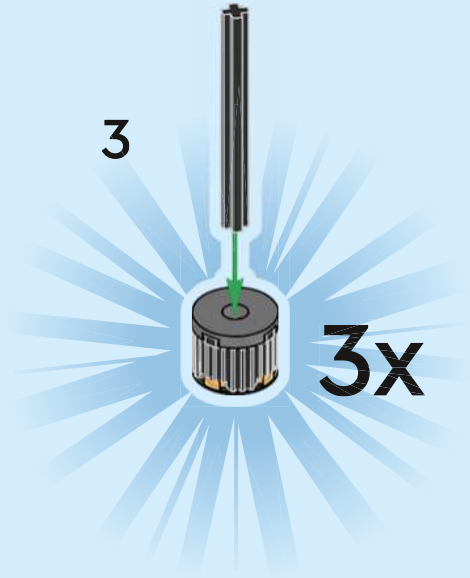
1



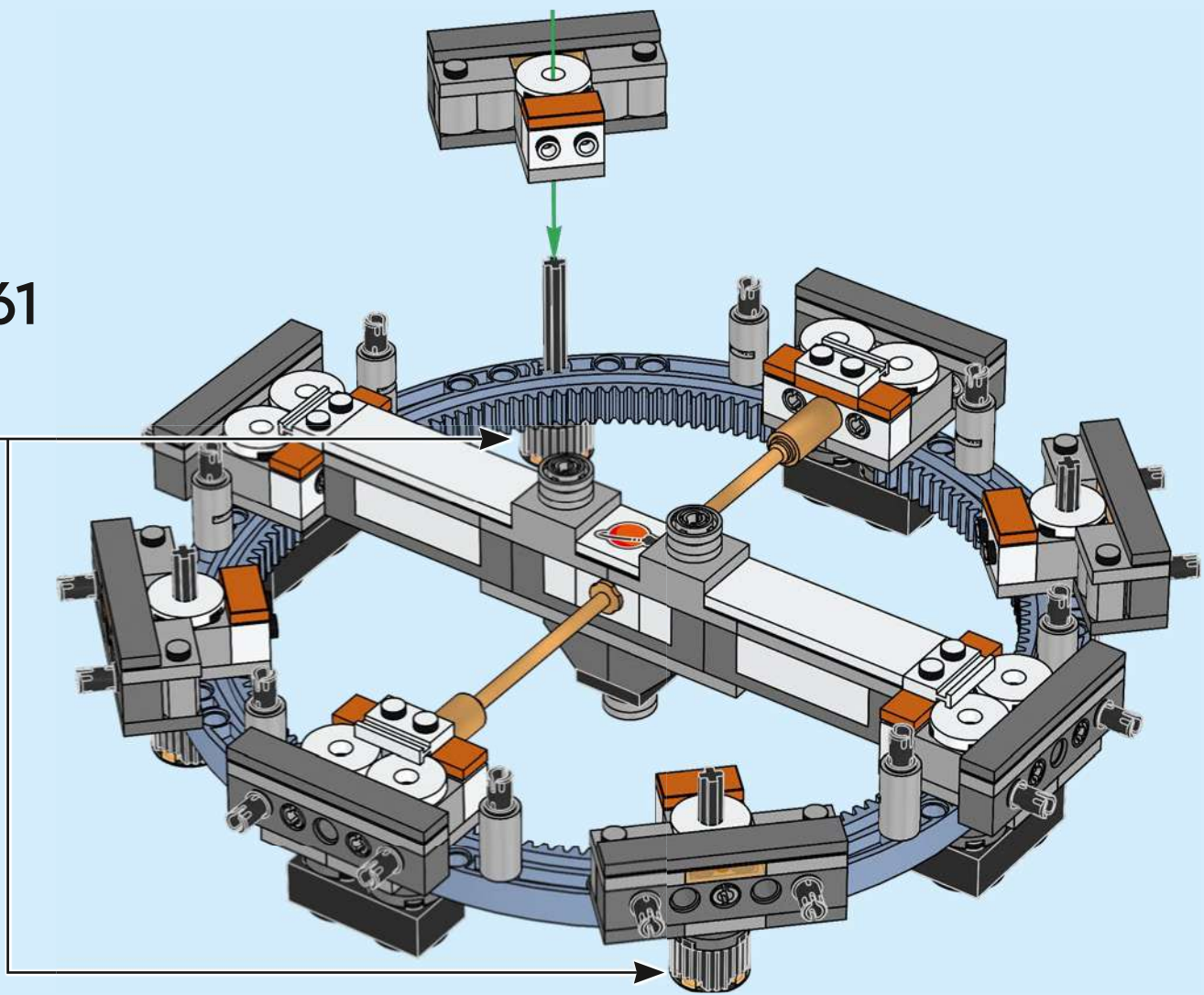
2

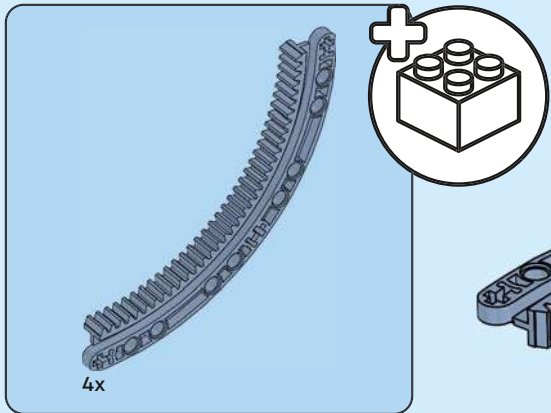


3

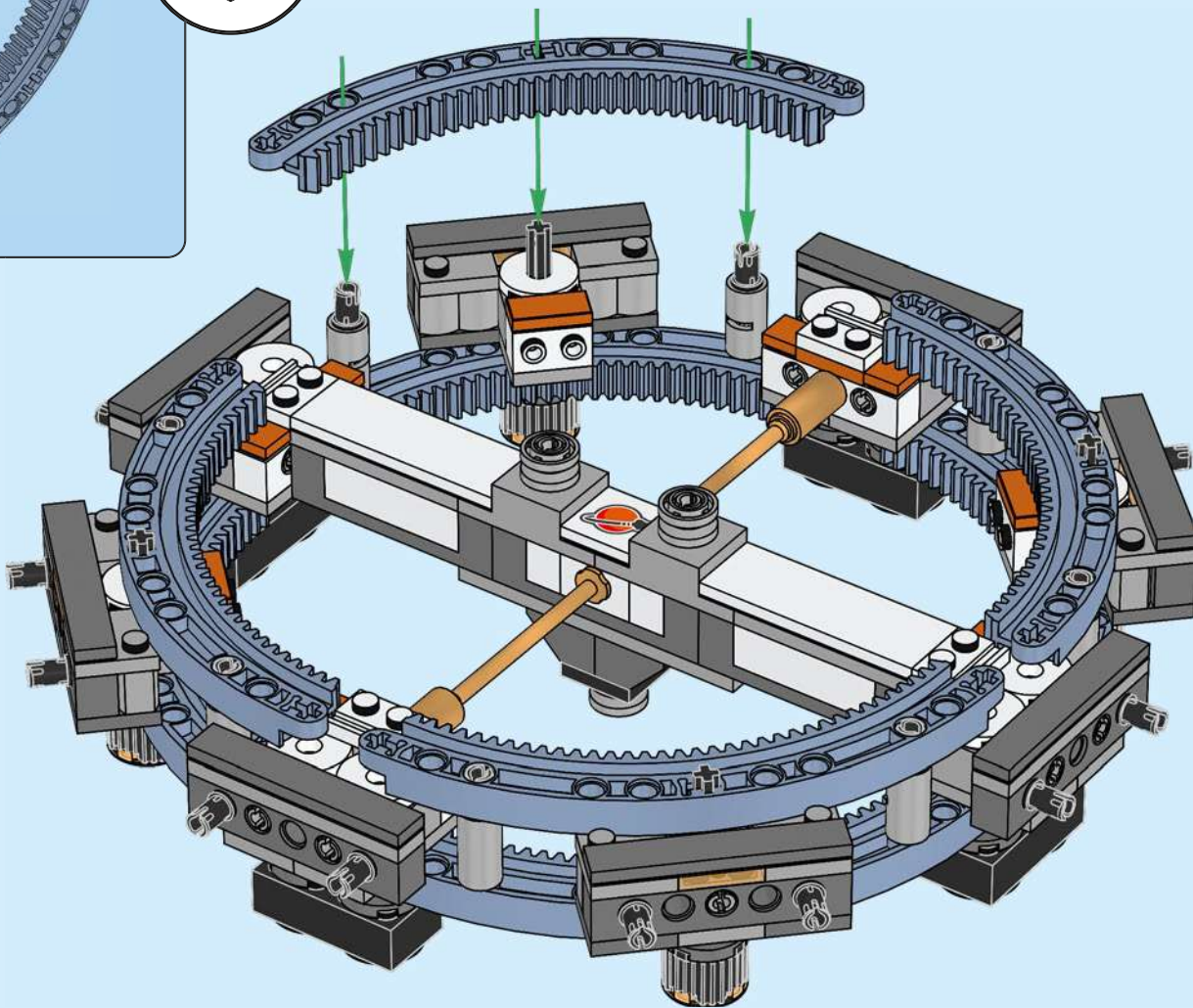


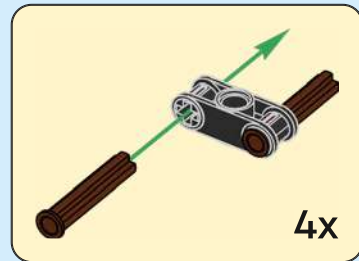
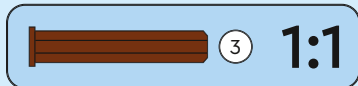
61



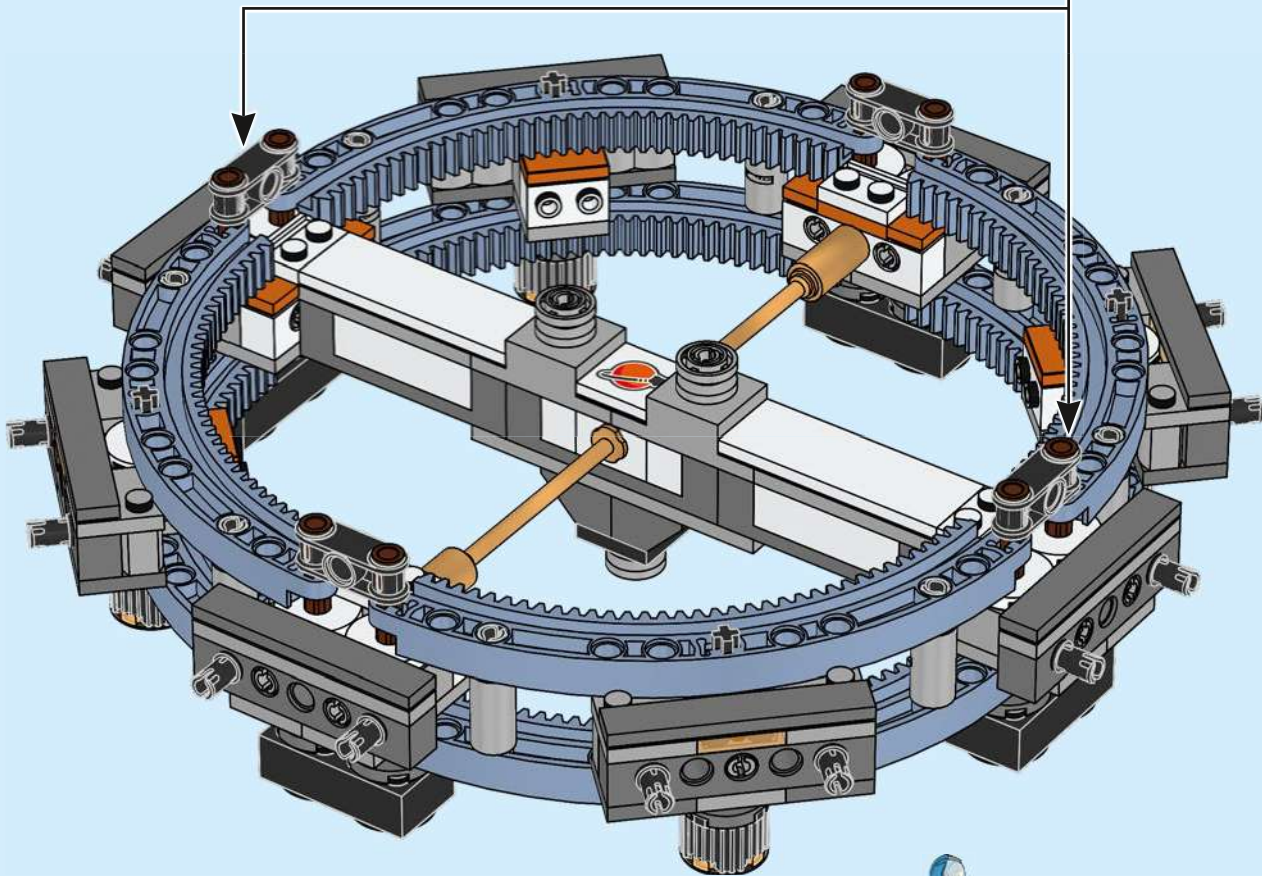


62





63



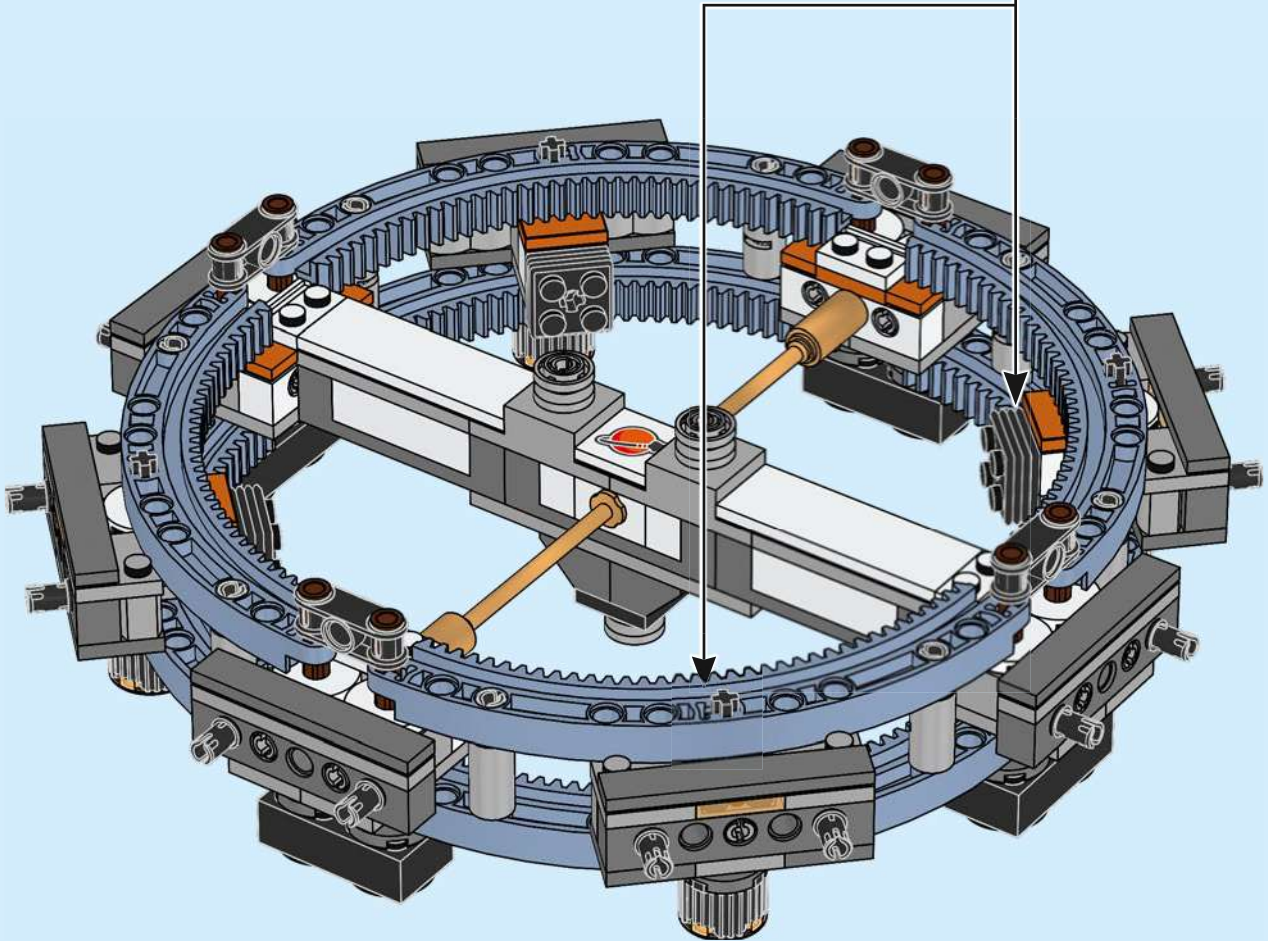


4x



4x

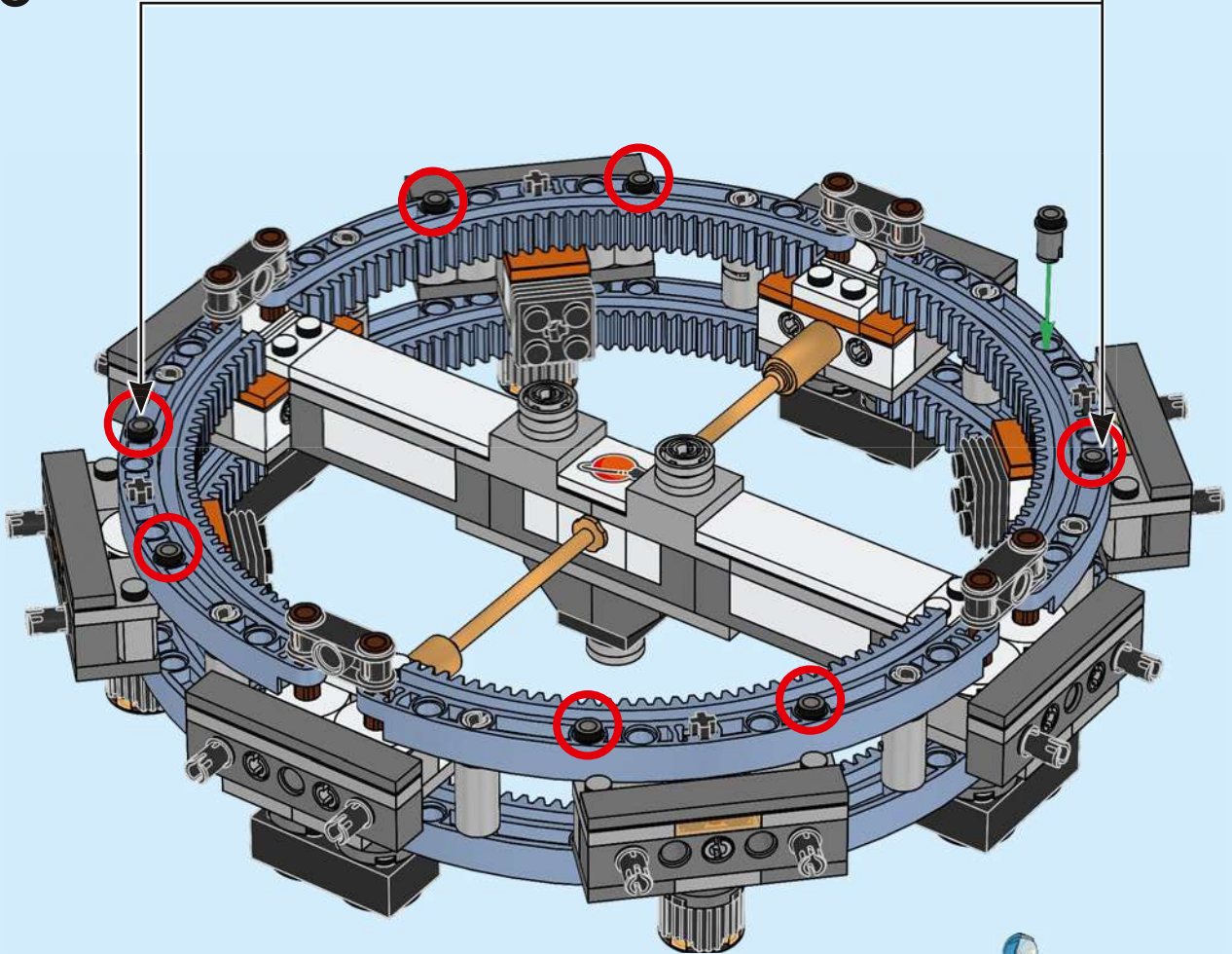
64



8x

8x

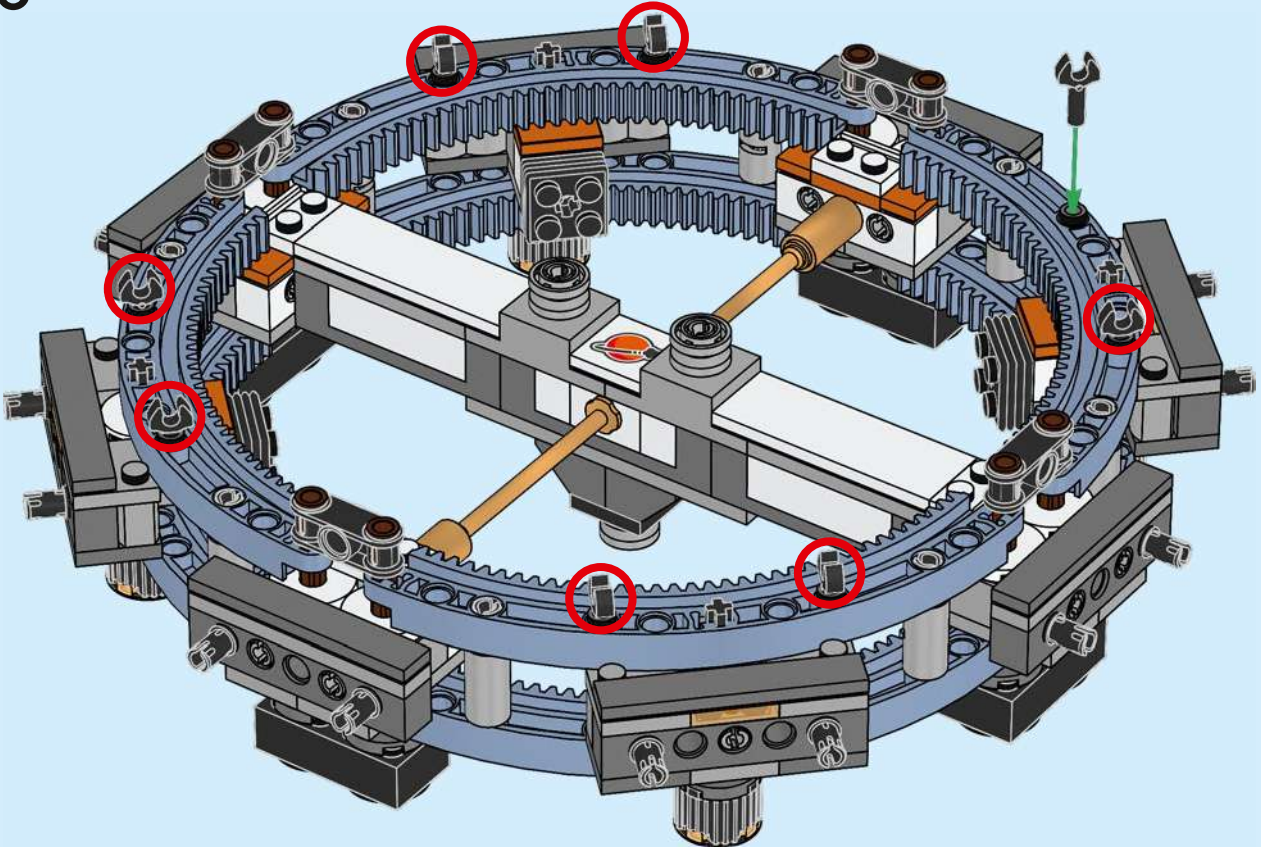
65





8x

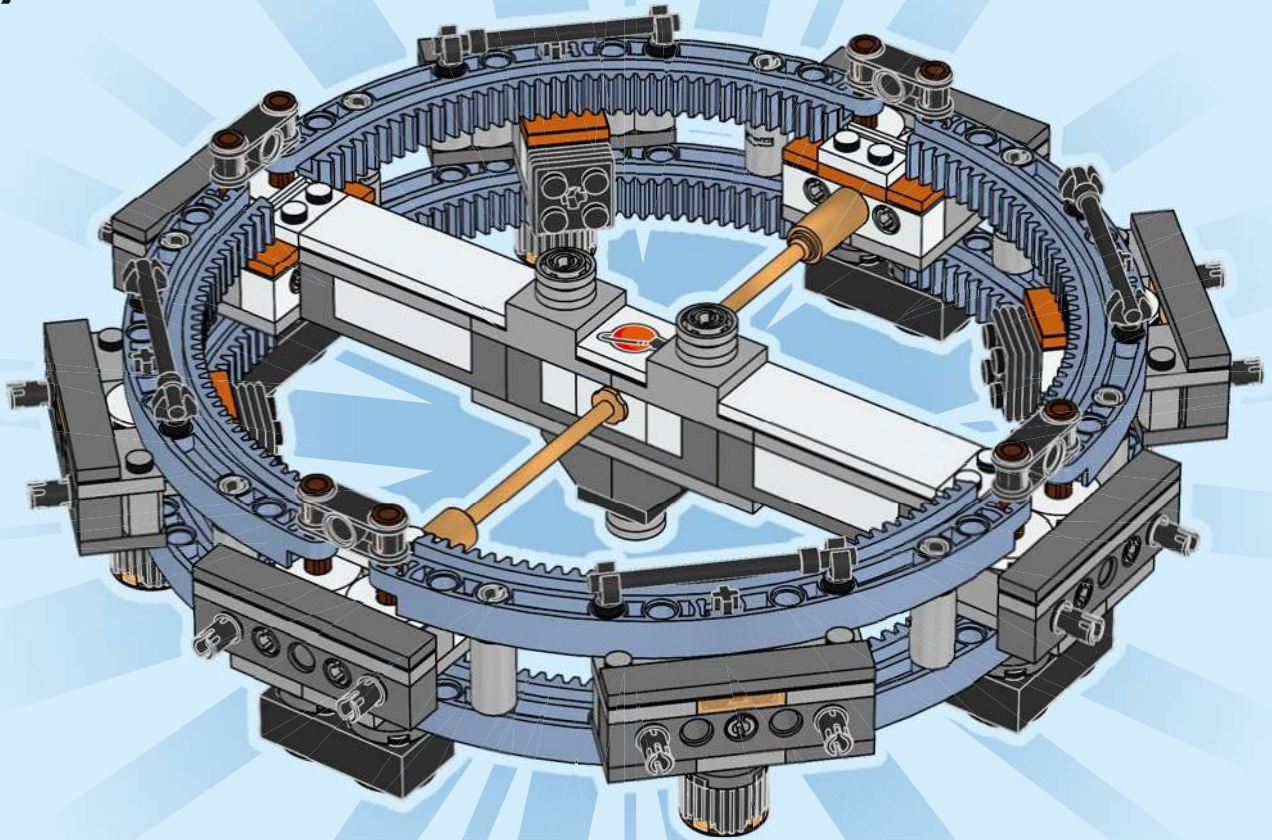
66

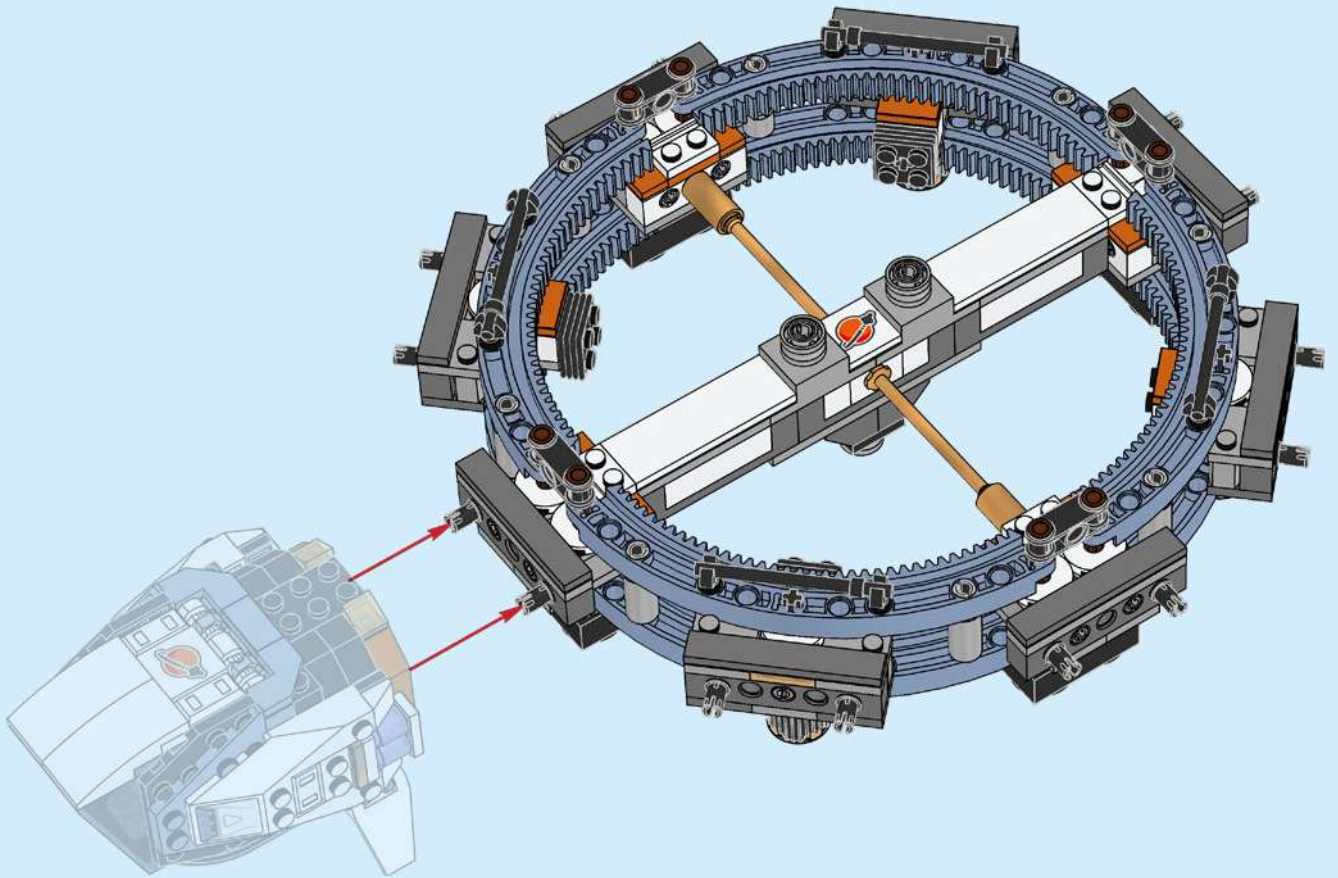


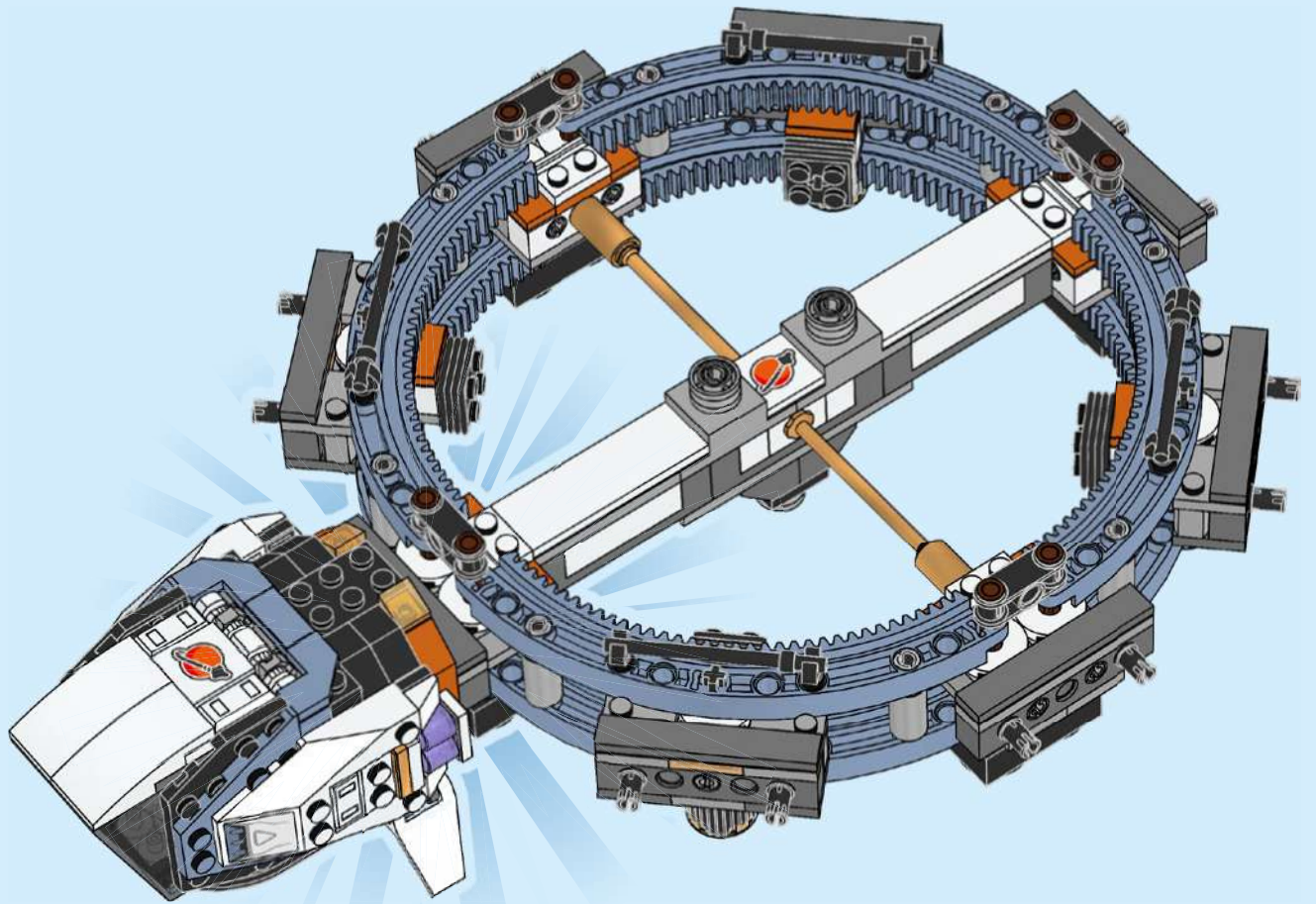


4x

67





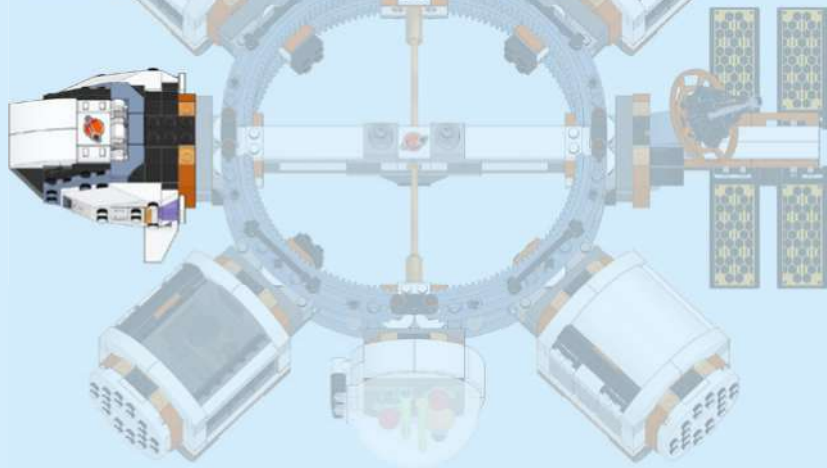






CITY

60433






1



[LEGO.com/sustainable-packaging](https://www.lego.com/sustainable-packaging)

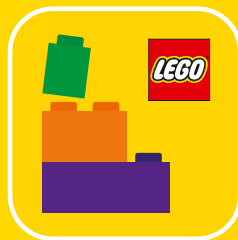


FR
DONNEZ
OU
RECYCLEZ

 OU  OU 

ASSOCIATION MAGASIN DÉCHÈTERIE

Adresses sur [quefairedemesdechets.fr](https://www.quefairedemesdechets.fr)



Q LEGO® Builder

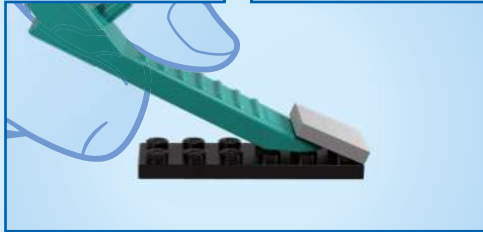
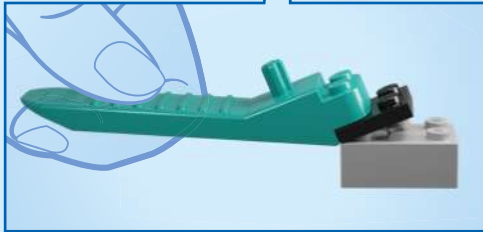
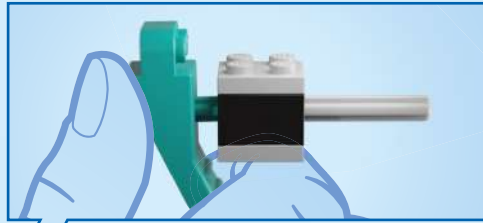
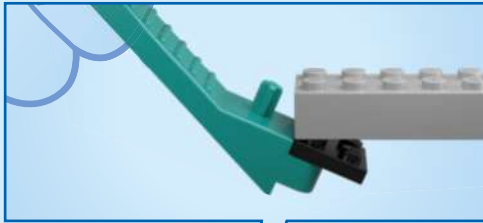
BUILDER

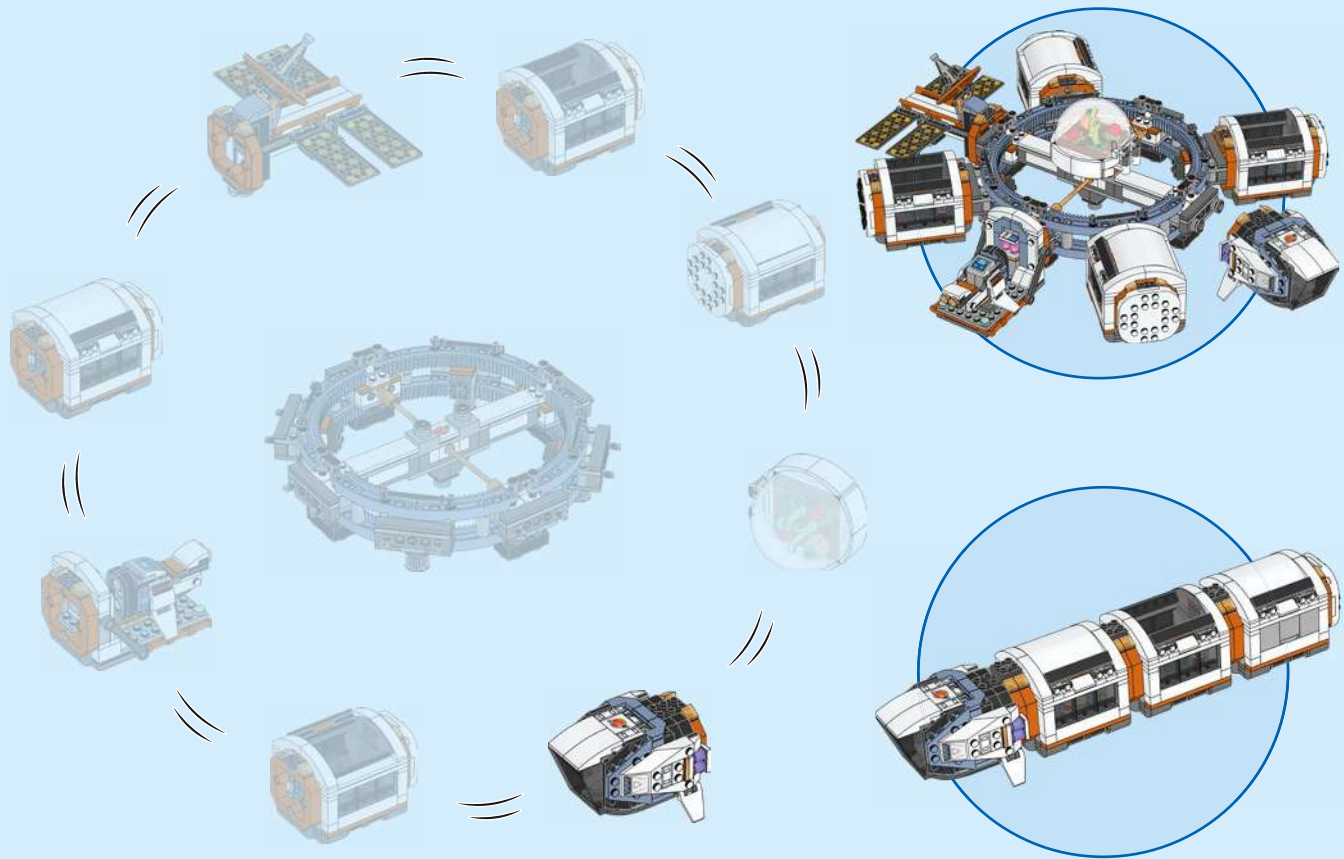


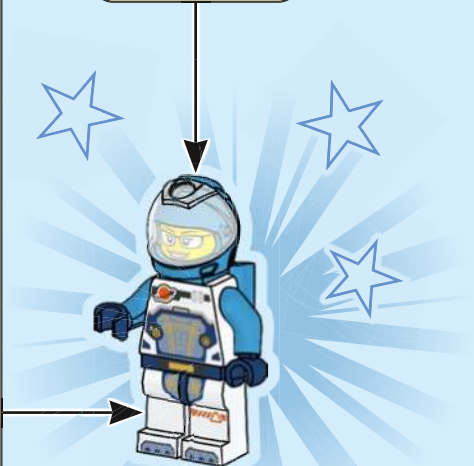
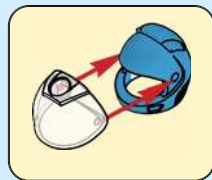
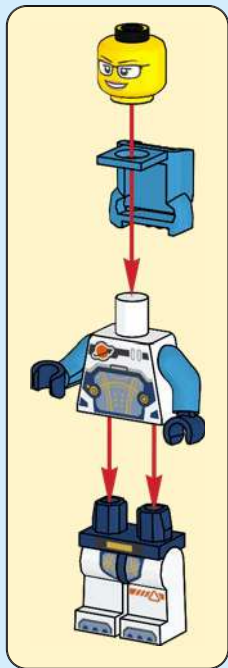
Apple and the Apple logo are trademarks of Apple Inc., registered in the U.S. and other countries and regions. App Store is a service mark of Apple Inc. Google Play and the Google Play logo are trademarks of Google LLC. Tencent and the Tencent logo are trademarks of Tencent Inc.

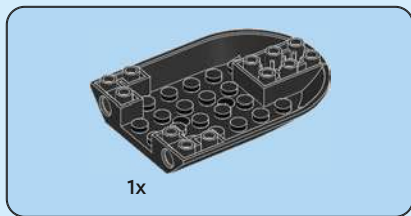
Q [LEGO.com/devicecheck](https://lego.com/devicecheck)

EN Ask parents' permission before going online | **DE** Eltern um Erlaubnis bitten, bevor du online gehst | **FR** Demande l'autorisation d'un parent avant d'aller en ligne | **IT** Chiedi il permesso ai tuoi genitori prima di andare online | **ES** Pídeles permiso a tus papás antes de conectarte a Internet | **PT** Pede autorização aos pais antes de acederes online | **ZH** 上网前应先征得父母的同意 | **PL** Poproś rodziców o zgodę, zanim wejdiesz do Internetu | **CS** Než půjdeš na internet, požádej rodiče o svolení | **SK** Skôr než pôjdeš na internet, vypýtaj si povolenie od rodičov | **HU** Kérj szülői engedélyt, mielőtt online csatlakoznál! | **RO** Cere permisiunea părinților înainte de a te conecta online | **BG** Поискайте разрешение от родител, преди да влезете онлайн | **LV** Pirms došanās tiešsaistē palūdz atļauju vecākiem | **ET** Enne Interneti kasutamist küsi vanematelt luba | **LT** Prieš prisijungdami prie interneto, atsiklauskite tėvų

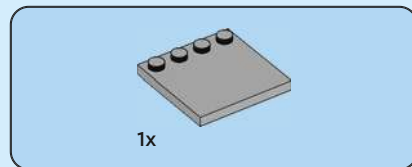
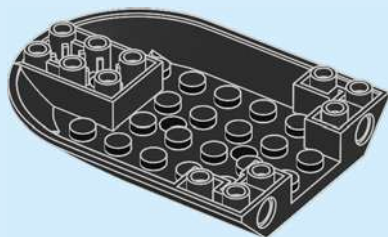




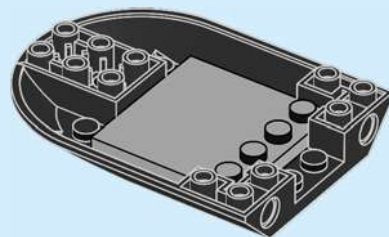




1



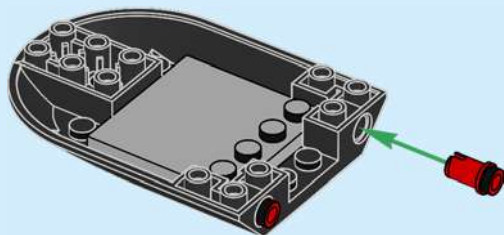
2





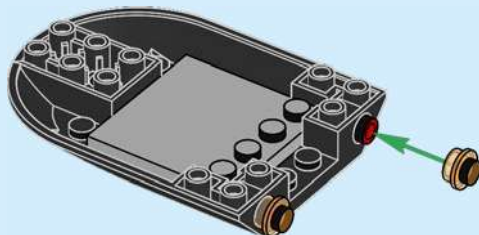
2x

3



2x

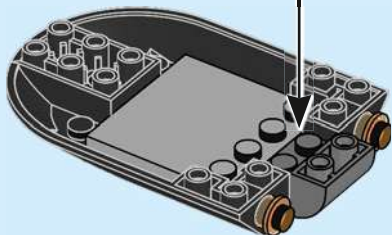
4





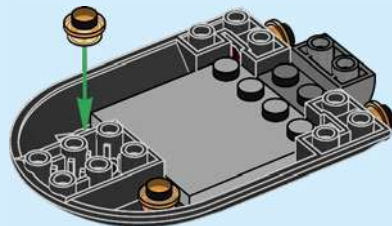
1x

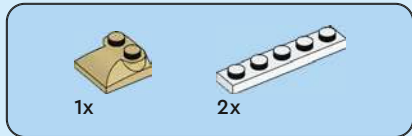
5



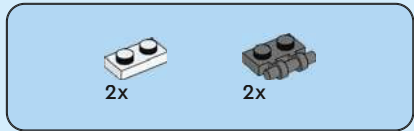
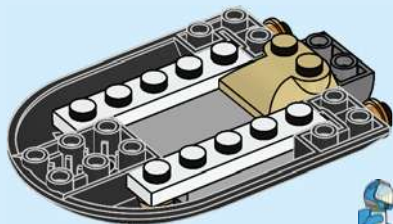
2x

6

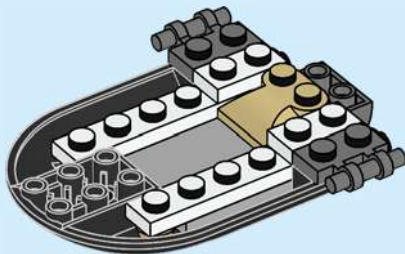


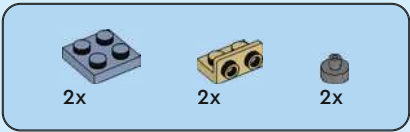


7

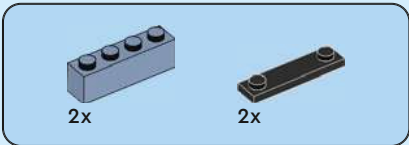
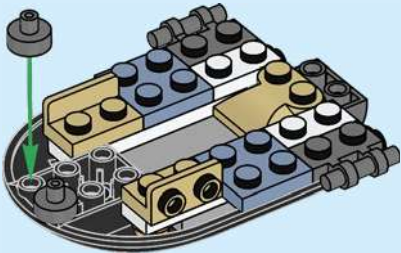


8

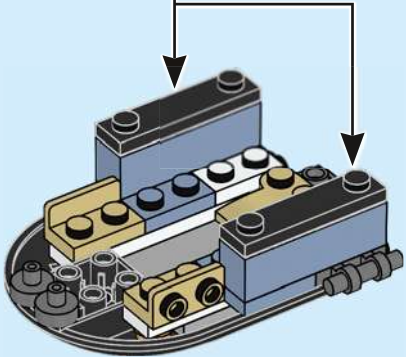
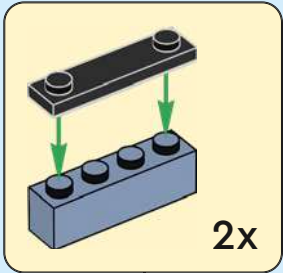


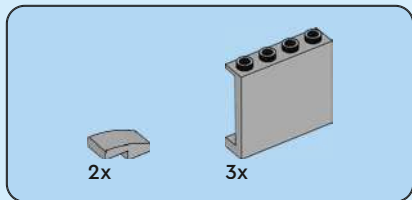


9

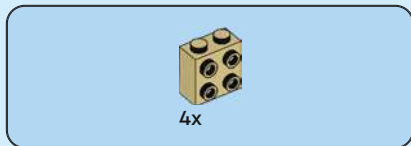
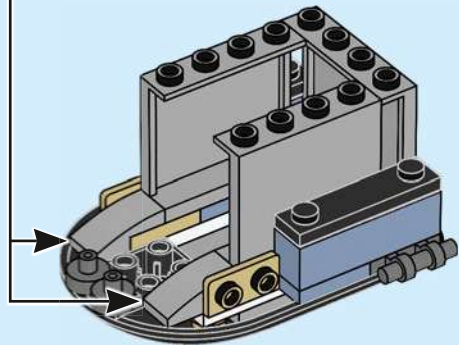


10

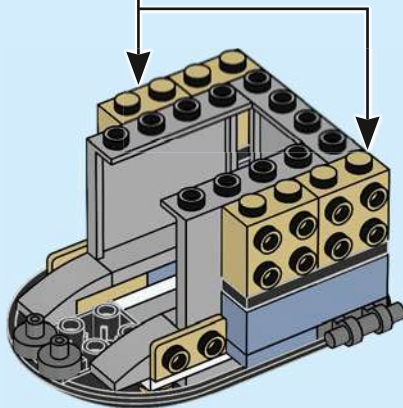
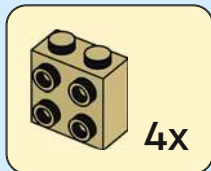




11

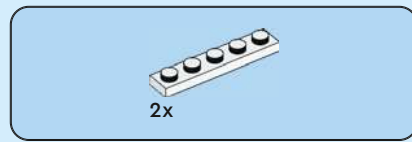
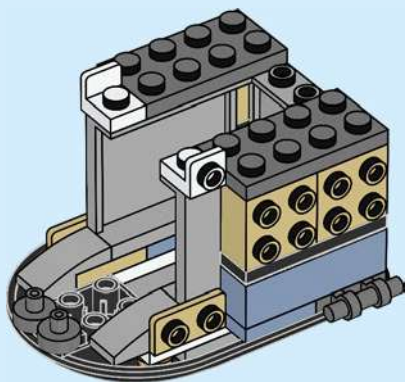


12

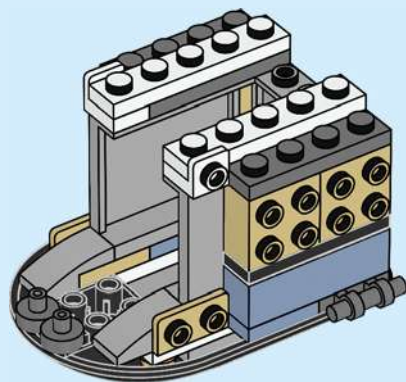


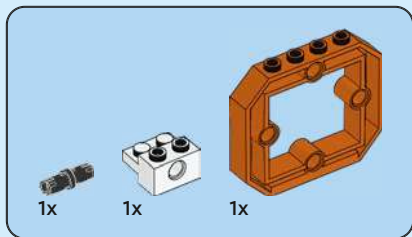


13



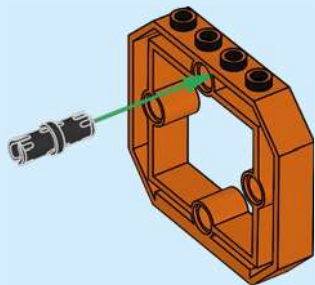
14



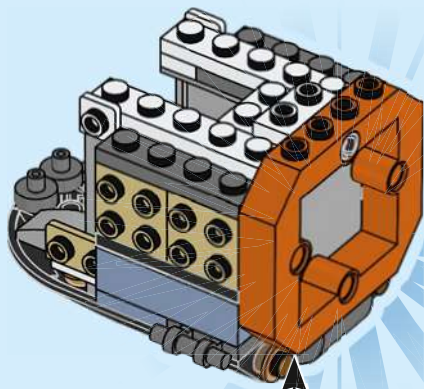
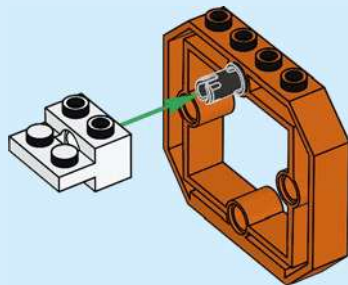


15

1

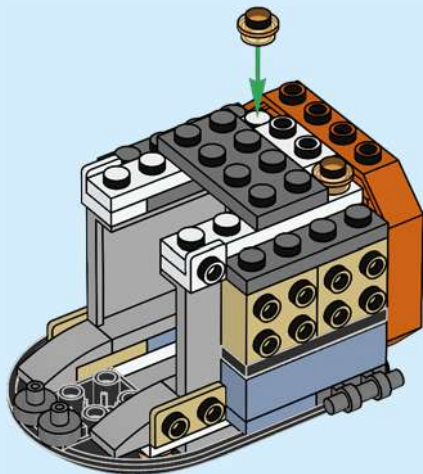


2

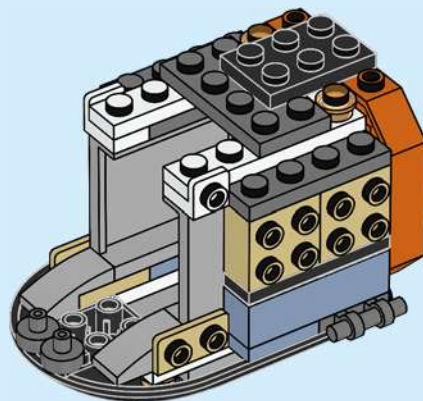




16



17



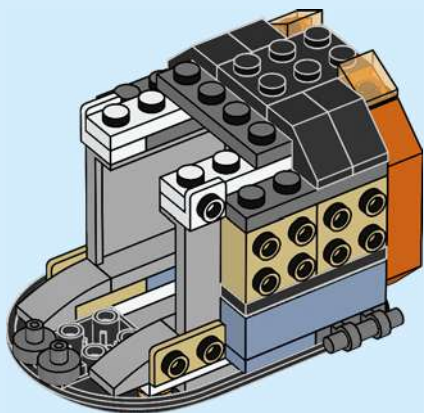


2x



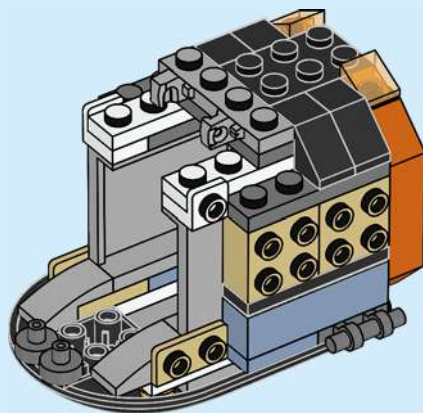
4x

18



1x

19



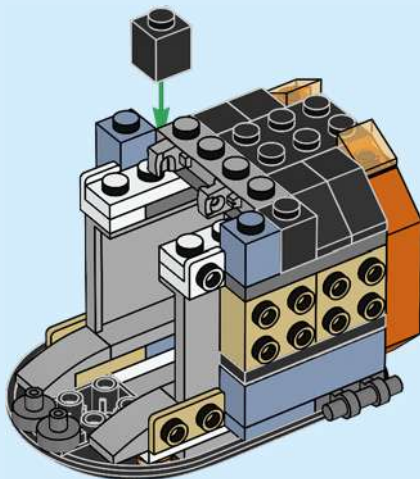


2x



2x

20

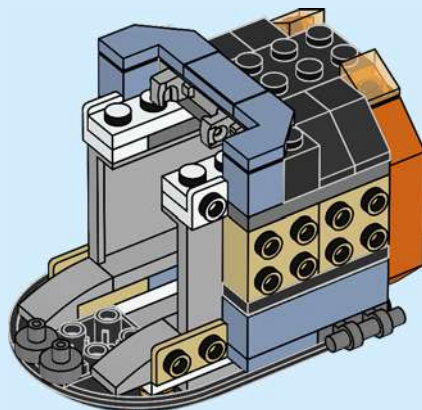


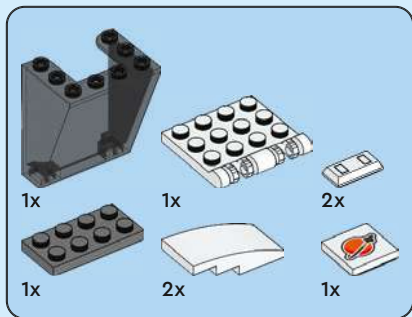
1x



2x

21





22

1



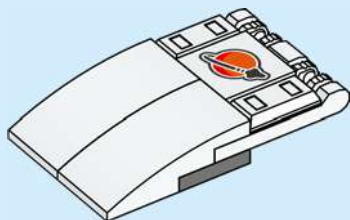
2



3

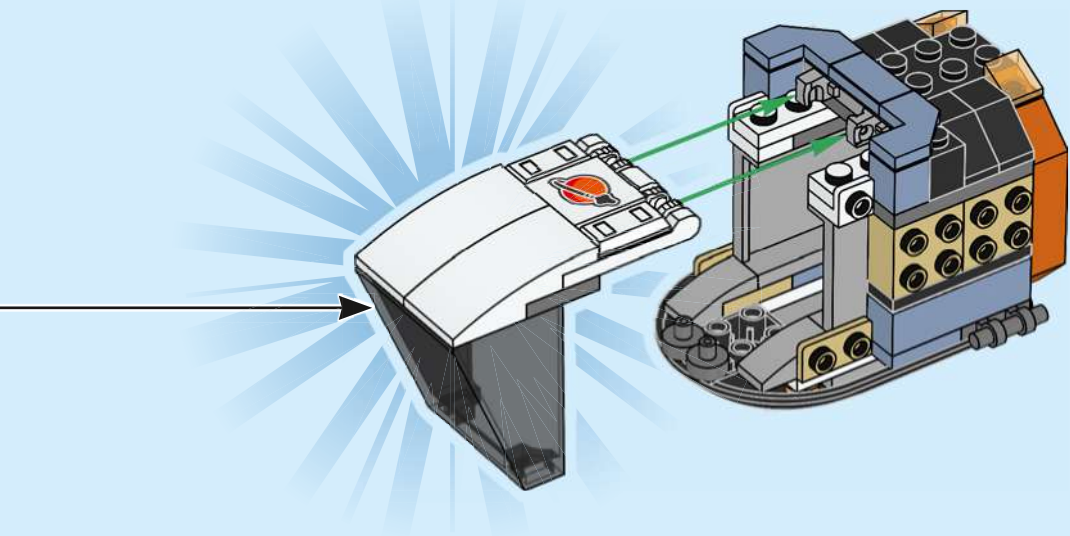


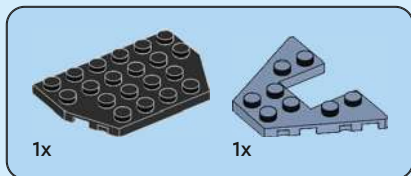
4



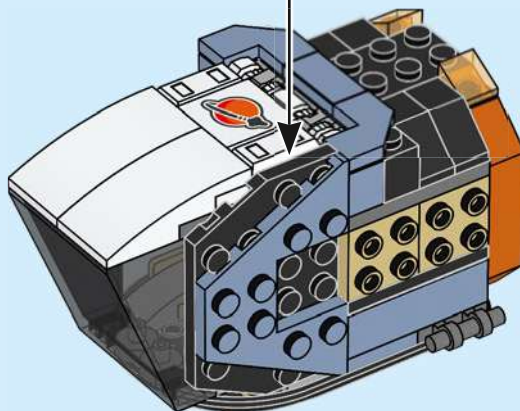
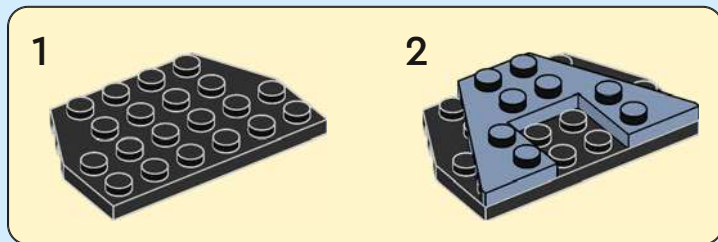
5







23



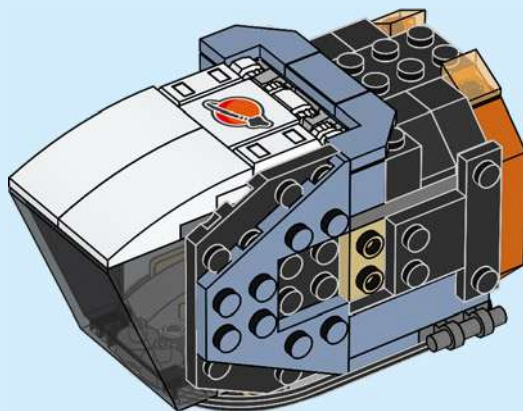


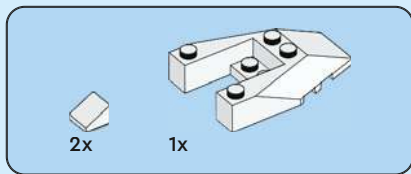
1x



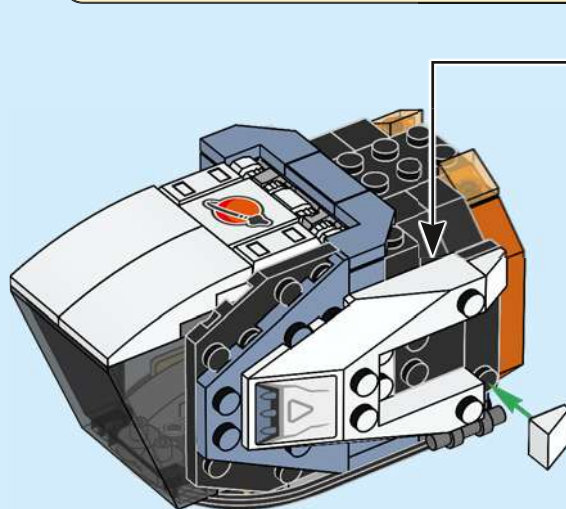
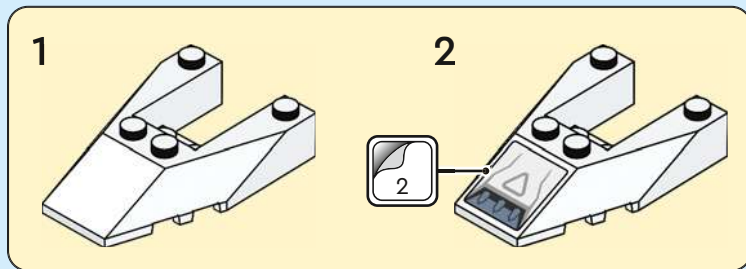
1x

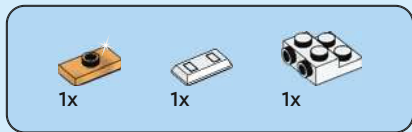
24



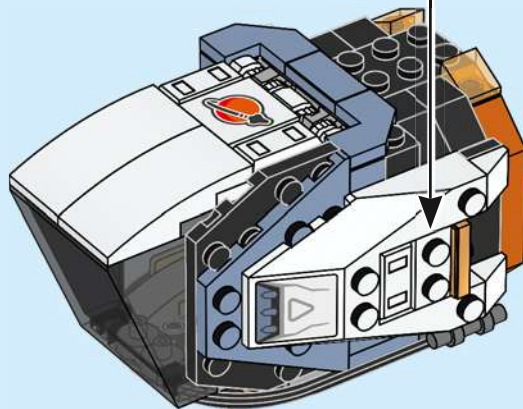
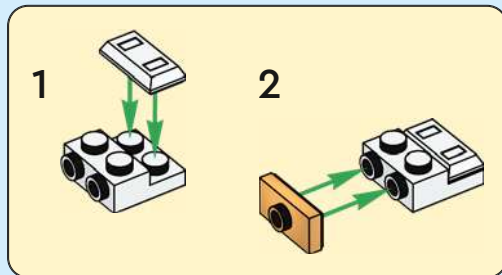


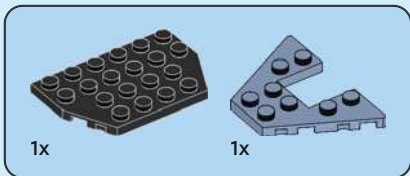
25



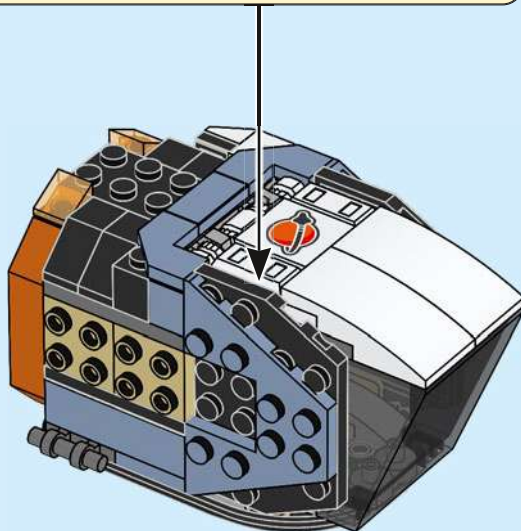
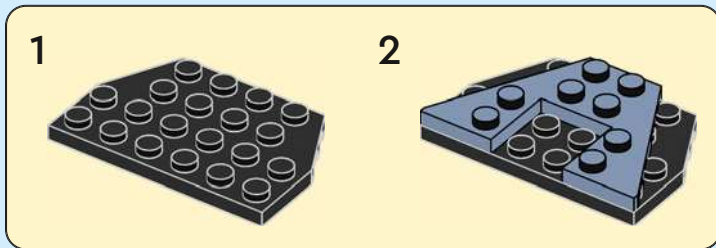


26





27



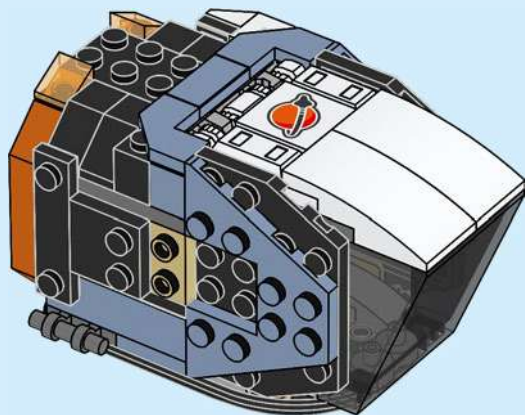


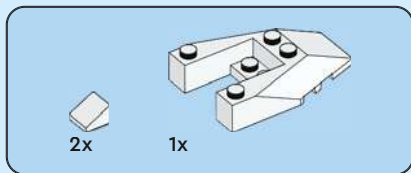
1x



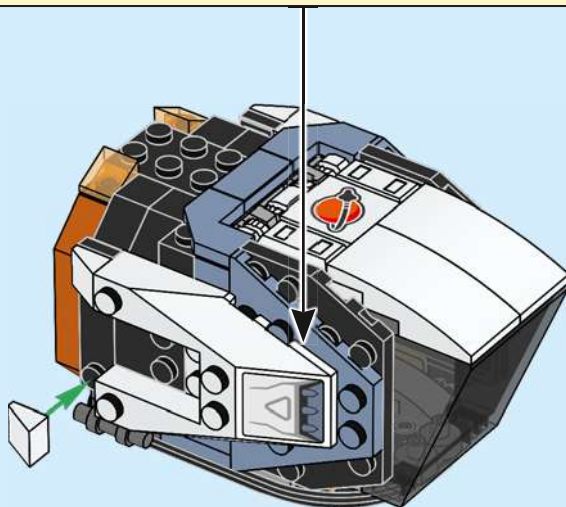
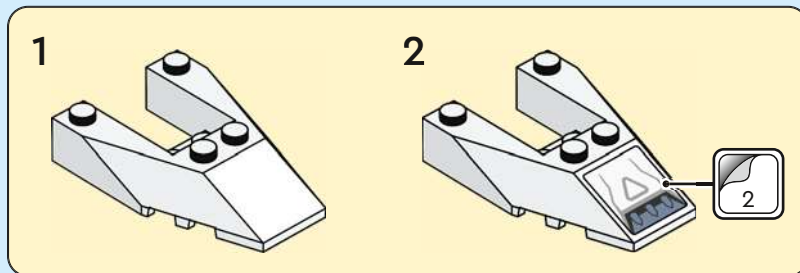
1x

28





29





1x



1x



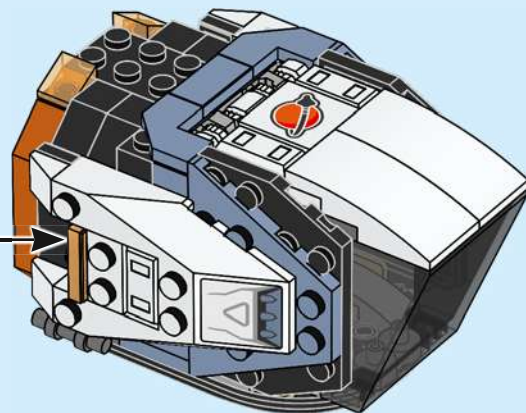
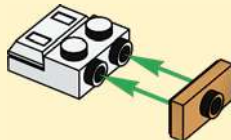
1x

30

1



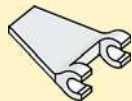
2



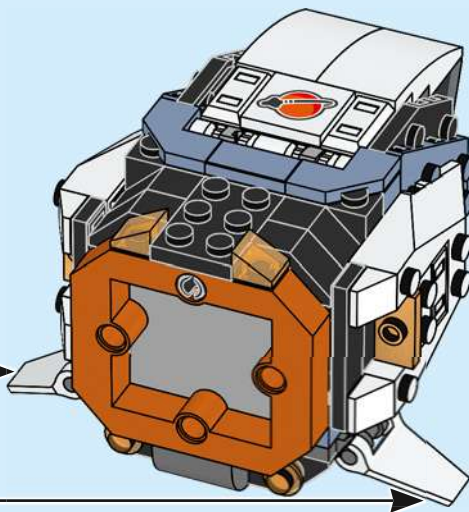


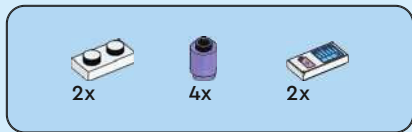
2x

31

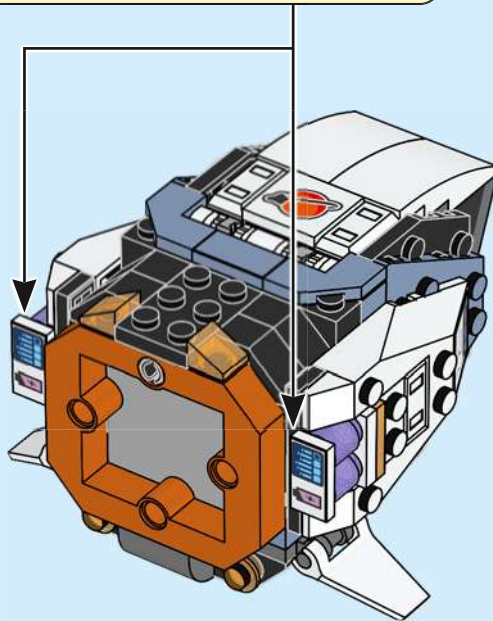


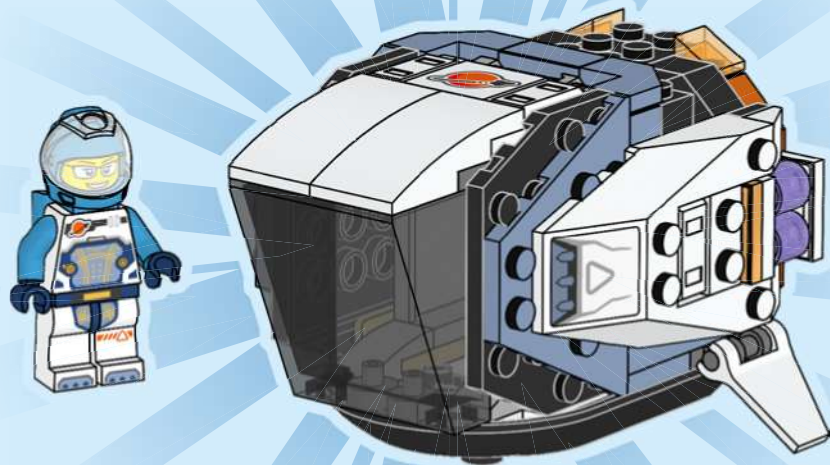
2x





32







Rebuild
the
world™

