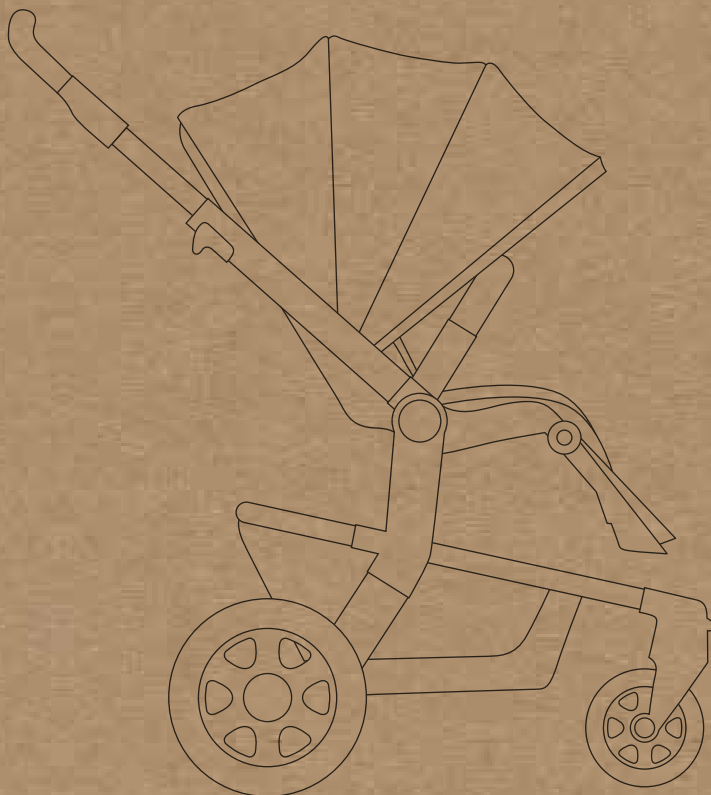


instruction manual

Joolz Hub

designed in The Netherlands



JOO LZ POSITIVE DESIGN
stroll around the world of joolz.com

| | | | |
|----|----------------------------|----|------------------------|
| en | instruction manual | ee | kasutusjuhend |
| de | Gebrauchsanweisung | lv | lietošanas instrukcija |
| nl | gebruiksaanwijzing | lt | instrukcijų vadovas |
| fr | manuel d'instructions | sl | navodila za uporabo |
| es | manual de instrucciones | hr | priručnik za upotrebu |
| pt | manual de instruções | cs | návod k použití |
| it | manuale di istruzioni | bg | инструкция |
| sv | bruksanvisning | ro | manual de instrucțiuni |
| no | bruksanvisning | sr | priručnik za upotrebu |
| fi | käyttöopas | hu | használati útmutató |
| da | instruktioner | sk | návod na použitie |
| ru | инструкция по эксплуатации | gr | οδηγίες χρήσης |
| pl | instrukcja obsługi | ar | دليل تعليمات الاستعمال |
| uk | інструкція з експлуатації | za | handleiding |

At Joolz, we believe that good parenting is all about being happy. That's why we offer you the building blocks to spark your life with positivity. So, whatever defines your happiness, go after it and live it. Our ergonomic pushchairs, car seats and (organic) accessories are designed to make sure you enjoy the ride.

let's grow together

Brand of:
Milk Design BV

Joolz HQ
Distelweg 89
1031 HD Amsterdam
The Netherlands
info@joolz.com
+31 206 304 887

Joolz USA Inc.
PO Box 4530
New York
NY 10163-4530
info.us@joolz.com
+1 (347) 252-4556

joolz.com
facebook.com/myJoolz



JOOLZ POSITIVE
DESIGN

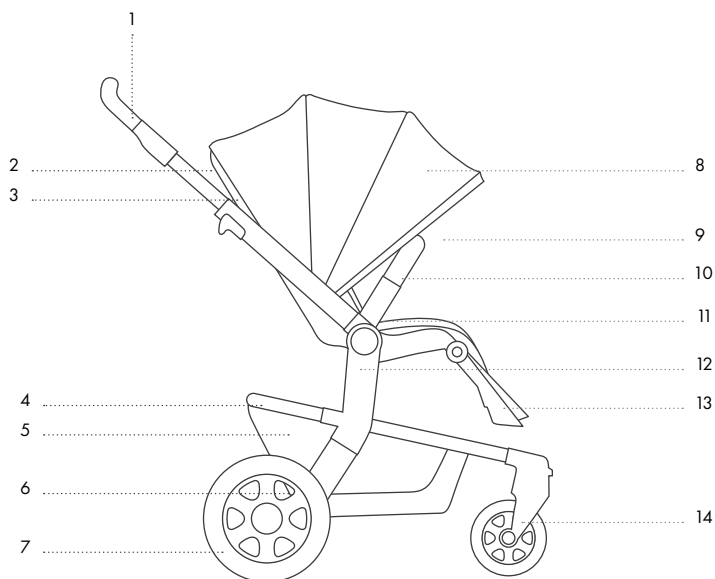
index

| | | | |
|--|----|---|----|
| introducing the Joolz Hub Einführung des Joolz Hub | 8 | compact storage Kompakte Aufbewahrung | |
| get me ready! Vorbereitung | 11 | compact storage world facing Kompaktes Lagern Vorwärtsgerichtet | 21 |
| how to use Nutzungshinweise | | compact storage parent facing Kompaktes Lagern Rückwärtsgerichtet | 23 |
| how to use the Joolz Hub Benutzung des Joolz Hub | 14 | warnings Warnhinweise | 26 |
| how to use the seat harness Benutzung des Sitzgurtes | 17 | maintenance Pflege | 27 |
| how to use the buckle Benutzung der Schnalle | 18 | warranty Garantie | 27 |
| how to use the brake Nutzungshinweise Bremse | 19 | | |

 **how to movies:**
www.youtube.com/JoolzHQ

introducing the Joolz Hub

Wir stellen den Joolz Hub vor



1. handlebar Schiebegriff
2. seat recline button Knopf zum Verstellen der Sitzposition
3. seat fabric back Sitzbezug
4. basket frame Einkaufskorbrahmen
5. basket fabric Einkaufskorbbezug
6. brake Bremse
7. rear wheels Hinterräder
8. sun hood incl. extended sun hood Sonnenverdeck inkl. erweitertem Verdeck
9. seat fabric with harness Sitzbezug mit Gurt
10. bumper bar Sicherheitsbügel
11. harness incl. buckle and padding Gurt inkl. Verschluss und Polster
12. carry strap Tragegurt
13. footrest Fußstütze
14. front wheels Schwenkräder

sizes Maße

unfolded Auseinandergeklappt

85x53x96,5-106 cm / 33x21x38-42 in

folded without seat Zusammengeklappt ohne Sitz

66x53x28 cm / 26x21x11 in

folded without seat and wheels

64x51,5x23 cm / 25x20x9 in

Zusammengeklappt ohne Sitz und Räder

folded with seat and wheels

66x53x34 cm / 26x21x13 in

Zusammengeklappt mit Sitz und Räder

weights Gewichtsangaben

Joolz Hub with seat Joolz Hub mit Sitz

11,5 kg / 25.4 lbs

chassis Gestell

7,5 kg / 16.5 lbs

chassis without wheels Gestell ohne Räder

5,0 kg / 11 lbs

seat Sitz

4,0 kg / 8.8 lbs

weight capacity Kapazität

basket Korb

5,0 kg / 11 lbs max.

Joolz Hub

20,0 kg / 44 lbs max.

reusable packaging

hello urban city, goodbye box

see all the possibilities on joolz.com



lifetime warranty

stroll always & forever

apply your warranty on register.joolz.com

Birth Forest

one pushchair, one tree

experience our meaningful journey on joolz.com





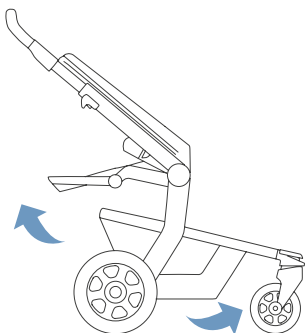
get me ready!

Vorbereitung

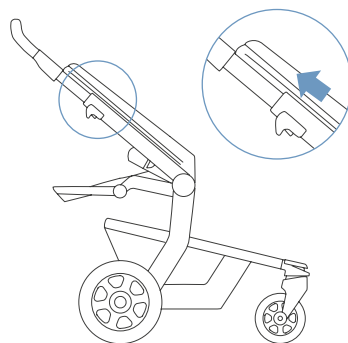


2 min

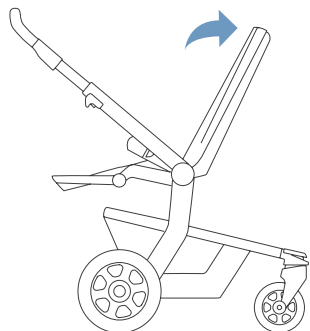
1



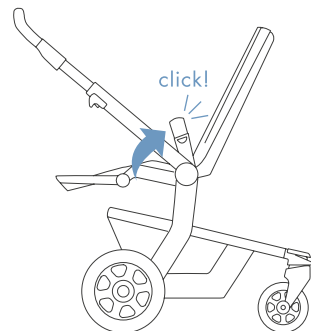
2



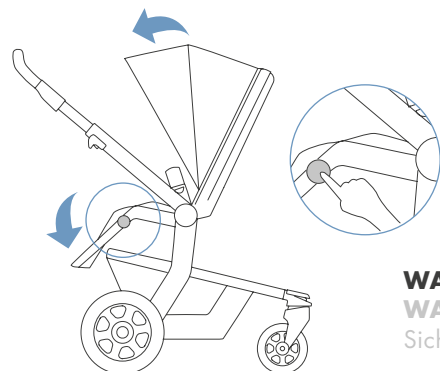
3



4



5



WARNING: always lock the bumper bar!

WARNUNG: Fixieren Sie immer den Sicherheitsbügel

WARNING: to avoid injury ensure that your child/children are safe from moving parts when unfolding, folding and adjusting this product.

WARNUNG: Vergewissern Sie sich, dass Ihr Kind beim Aufklappen und Zusammenklappen des Wagens außer Reichweite ist, um Verletzungen zu vermeiden.



how to use

Nutzungshinweise

how to use the Joolz Hub

Benutzung des Joolz Hub

14

how to use the seat harness

Benutzung des Sitzgurtes

17

how to use the buckle

Benutzung der Schnalle

18

how to use the brake

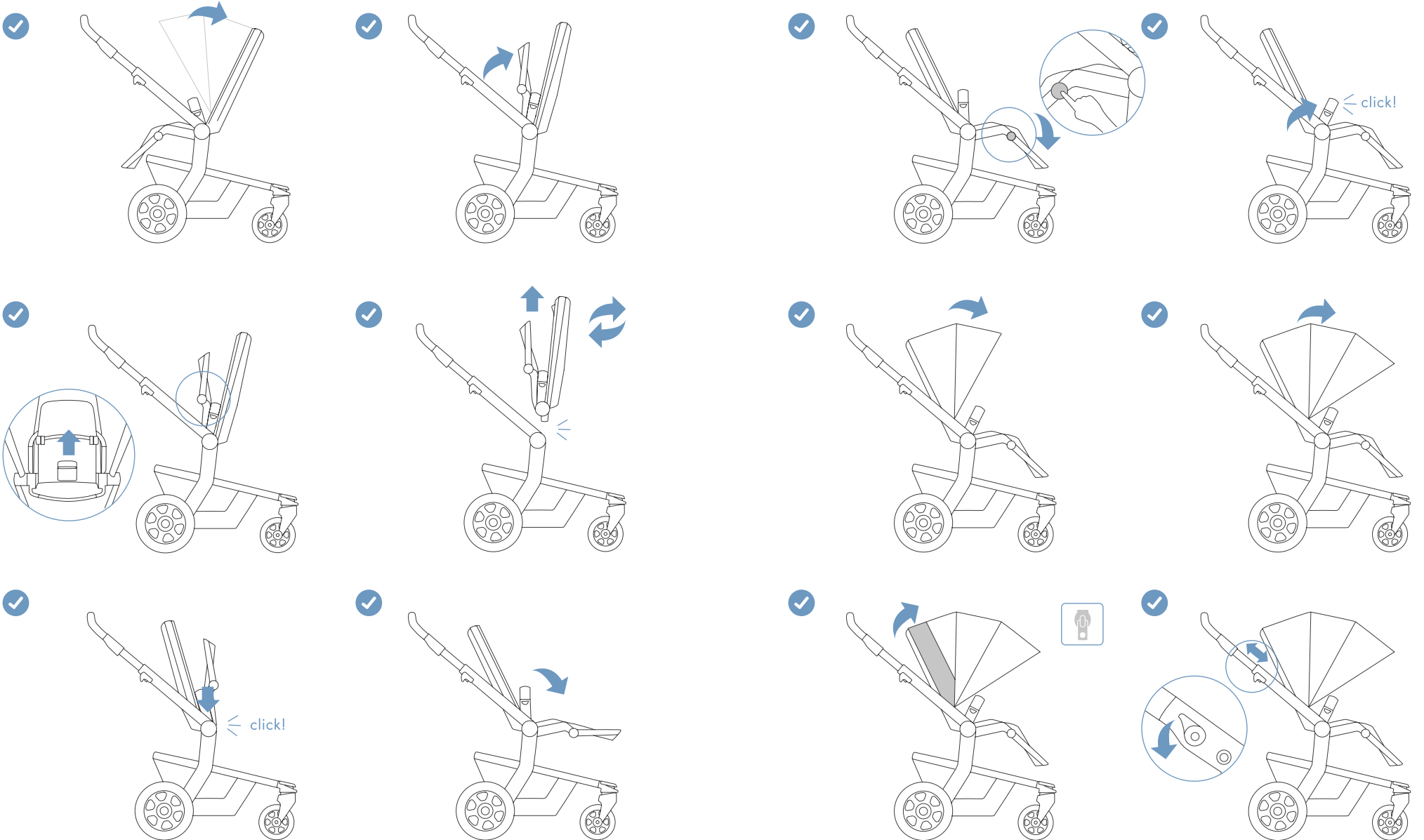
Nutzungshinweise Bremse

19



how to use the Joolz Hub

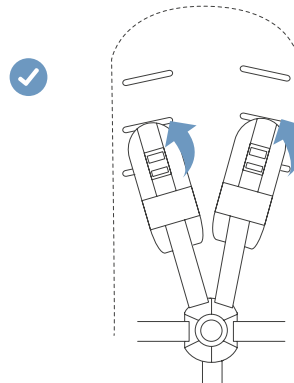
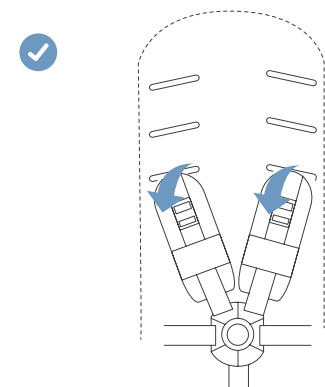
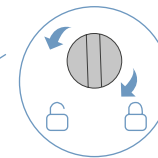
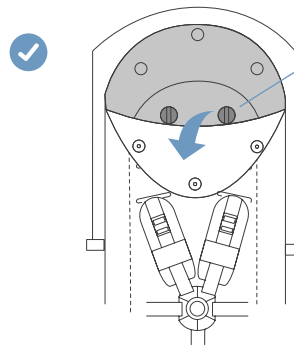
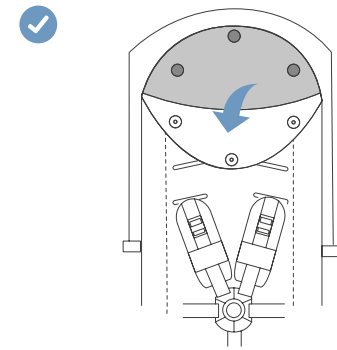
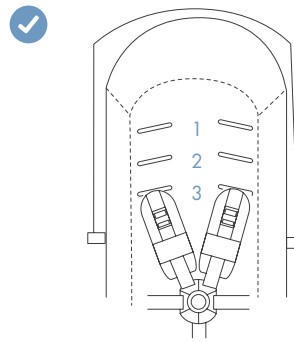
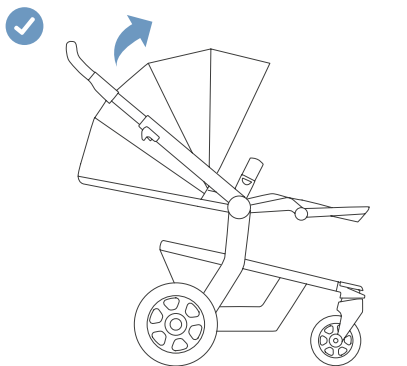
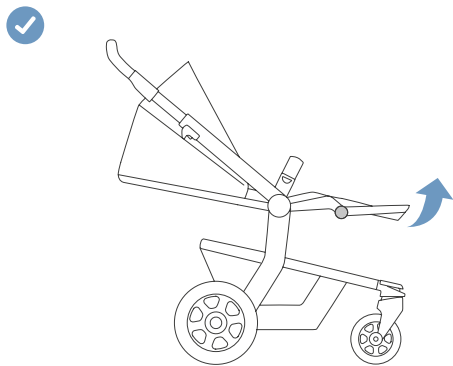
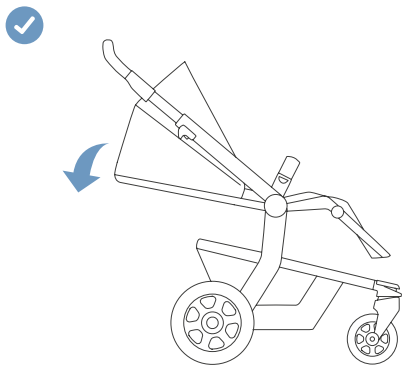
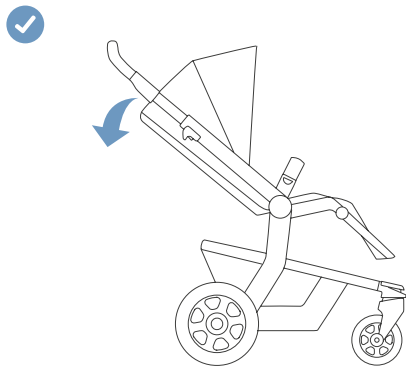
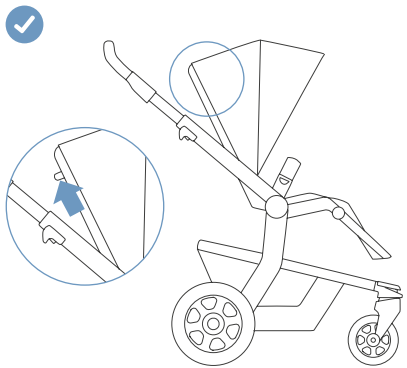
Benutzung des Joolz Hub





how to use the seat harness

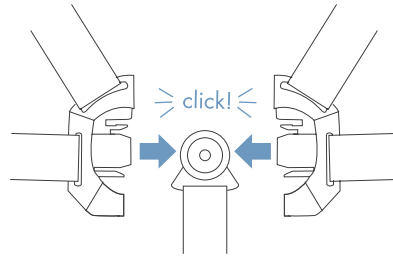
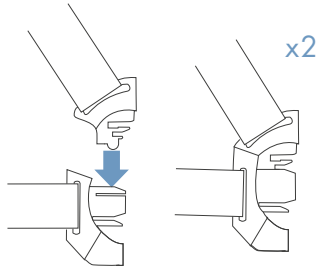
Benutzung des Sitzgurtes





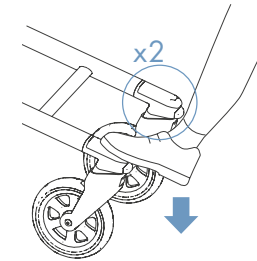
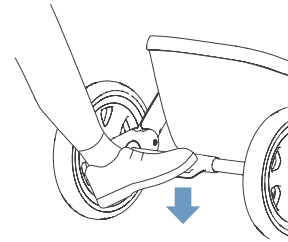
how to use the buckle

Benutzung der Schnalle



how to use the brake

Nutzungshinweise Bremse



WARNING: always apply the swivel lock on the front wheels when folding the pushchair. Failing to do so can result in obstruction of the tyres, leading to deformation, especially in a hot environment.

WARNUNG: Stellen Sie die Schwenkräder immer fest, wenn Sie den Kinderwagen zusammenklappen. Wenn Sie dies versäumen, kann dies, vor allem in heißer Umgebung, zur Beschädigung und Verformung der Vorderräder führen.



compact storage

Kompakte Aufbewahrung

compact storage world facing
Kompaktes Lagern Vorwärtsgerichtet

compact storage parent facing
Kompaktes Lagern Rückwärtsgerichtet

21

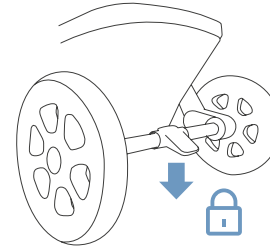
23



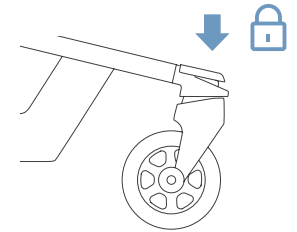
compact storage world facing

Kompaktes Lagern Vorwärtsgerichtet

1



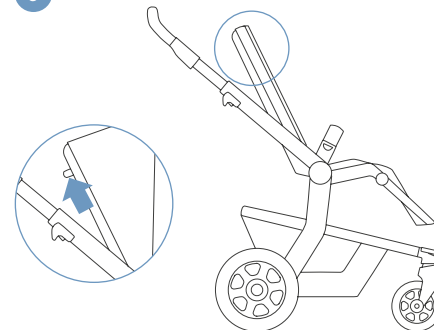
2



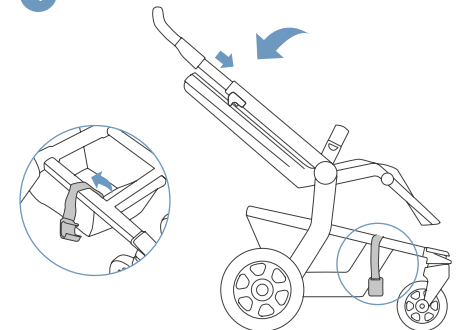
WARNING: always apply the swivel lock on the front wheels when folding the pushchair. Failing to do so can result in obstruction of the tyres, leading to deformation, especially in a hot environment.

WARNUNG: Stellen Sie die Schwenkräder immer fest, wenn Sie den Kinderwagen zusammenklappen. Wenn Sie dies versäumen, kann dies, vor allem in heißer Umgebung, zur Beschädigung und Verformung der Vorderräder führen.

3



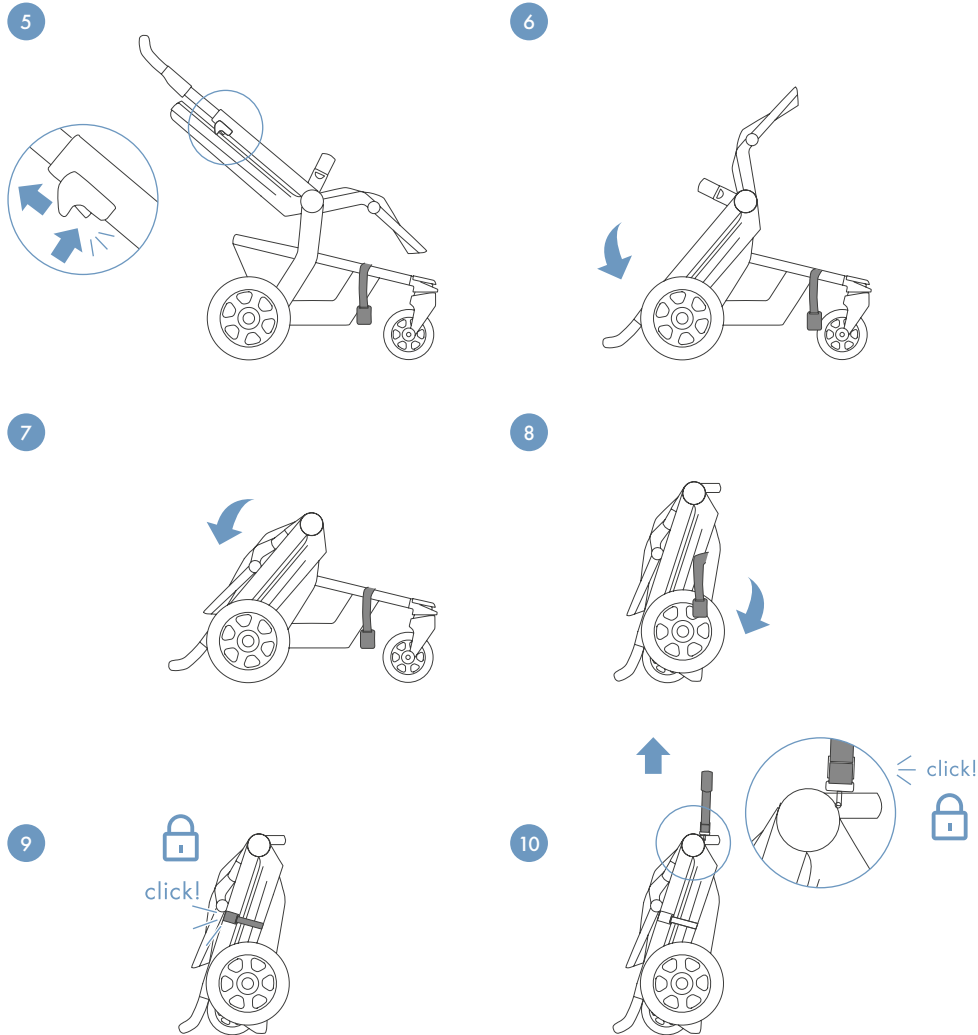
4





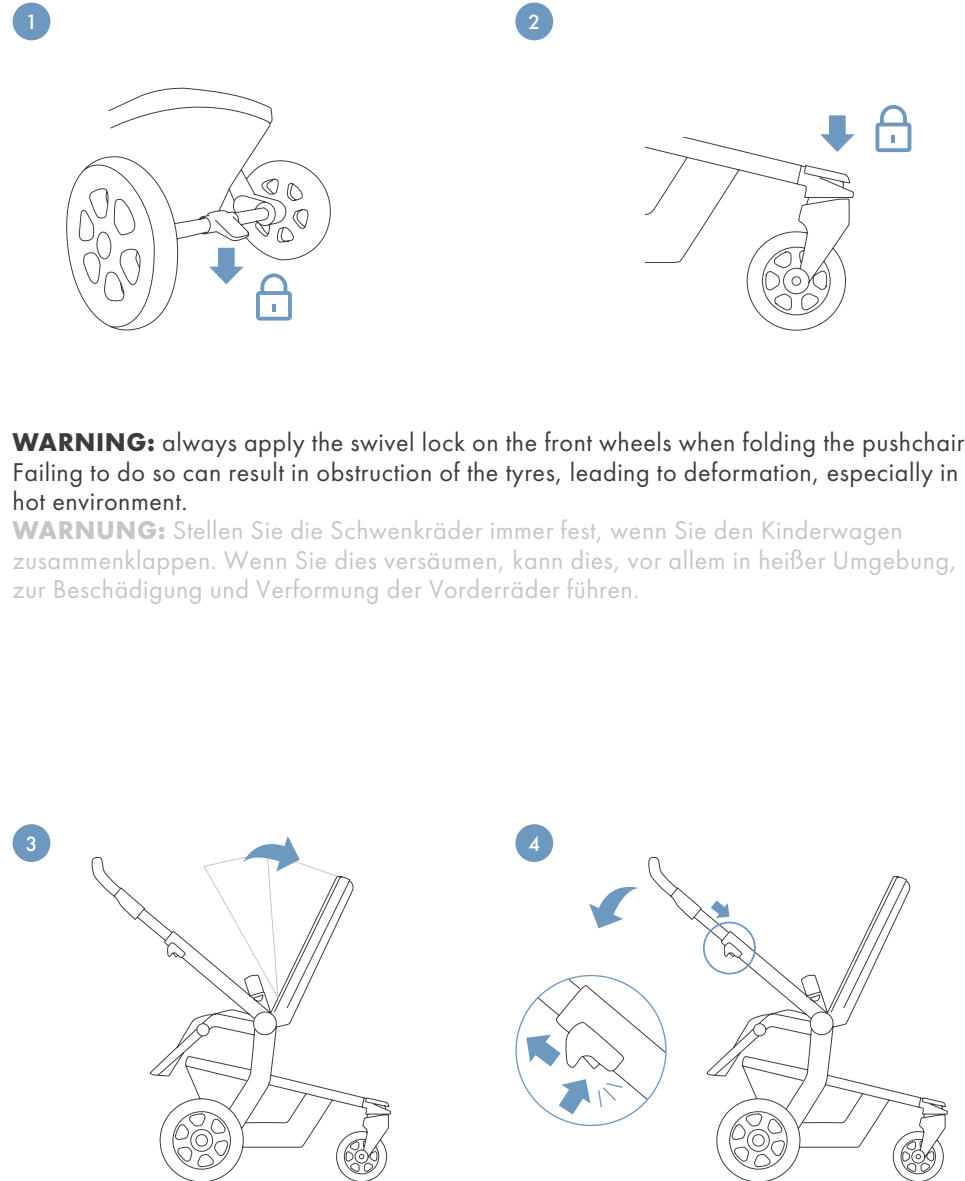
compact storage parent facing

Kompaktes Lagern Rückwärtsgerichtet



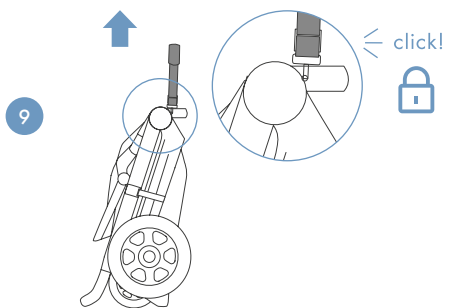
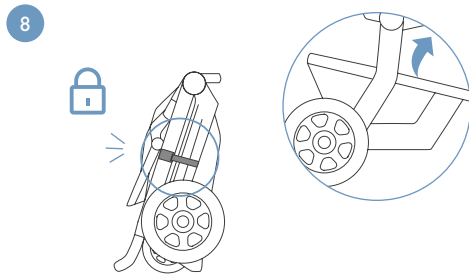
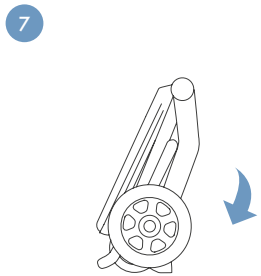
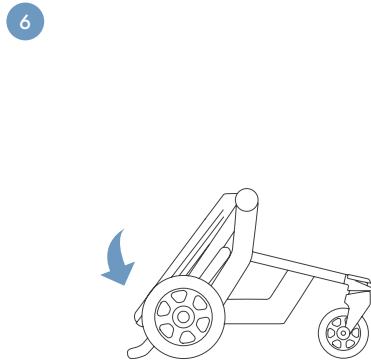
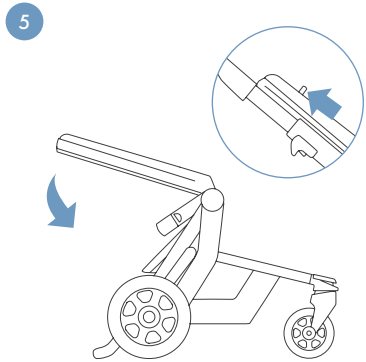
WARNING: to avoid injury ensure that your child/children are safe from moving parts when unfolding, folding and adjusting this product.

WARNUNG: Vergewissern Sie sich, dass Ihr Kind beim Aufklappen und Zusammenklappen des Wagens außer Reichweite ist, um Verletzungen zu vermeiden.



WARNING: always apply the swivel lock on the front wheels when folding the pushchair. Failing to do so can result in obstruction of the tyres, leading to deformation, especially in a hot environment.

WARNUNG: Stellen Sie die Schwenkräder immer fest, wenn Sie den Kinderwagen zusammenklappen. Wenn Sie dies versäumen, kann dies, vor allem in heißer Umgebung, zur Beschädigung und Verformung der Vorderräder führen.



WARNING: to avoid injury ensure that your child/children are safe from moving parts when unfolding, folding and adjusting this product.

WARNUNG: Vergewissern Sie sich, dass Ihr Kind beim Aufklappen und Zusammenklappen des Wagens außer Reichweite ist, um Verletzungen zu vermeiden.

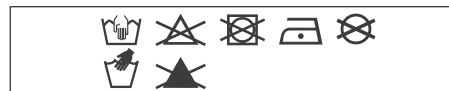
IMPORTANT: PLEASE READ THESE INSTRUCTIONS CAREFULLY BEFORE USAGE AND KEEP THEM FOR FUTURE REFERENCE.

⚠ WARNING

- + Never leave your child unattended.
- + Ensure that all the locking devices are engaged before use.
- + To avoid injury ensure that your child is kept away when adjusting, unfolding and folding this product.
- + Do not let your child play with this product.
- + This seat unit is not suitable for children under 6 months.
- + Avoid serious injury from falling or sliding out.
- + Always use the restraint system.
- + Check that the cot, seat or car seat unit attachment devices are correctly engaged before use.
- + This product is not suitable for running or skating.
- + The Joolz Hub cot and seat units are only compatible with the Joolz Hub chassis and vice versa.
- + Do not use an additional mattress.
- + Any load attached to the sides and/or handlebar of the Joolz Hub pushchair may affect its stability.
- + The Joolz Hub cot or seat units can each carry only one passenger.
- + Only use body seats, car seats, replacement parts and accessories that are approved by Joolz.
- + For car seats in conjunction with the Joolz Hub chassis, this vehicle does not replace a cot or a bed. Should your child needs to sleep, it should be placed in the Joolz Hub pushchair chassis, cot or bed.
- + Do not use the pushchair if any of the parts are damaged, torn or missing.
- + Always apply the swivel lock on the front wheels when folding the pushchair. Failing to do so can result in obstruction of the tyres, leading to deformation, especially in a hot environment.
- + The brakes should always be engaged when placing and removing the children.
- + Accessories not provided by Joolz should not be used.
- + Only spare parts supplied or recommended by Joolz should be used.
- + This seat is intended for children from 6 months, up to maximum weight of 22 kg/48.5 lbs.
- + Adding parcels, accessory items and/or excessive weight may cause hazardous unstable conditions.

MAINTENANCE / WASHING INSTRUCTIONS

Clean the fabric with lukewarm water and soap. Rinse with fresh water and leave to dry. Never use bleach or other chemical detergents. Periodically (approximately once a month) treat the wheels and metal parts with Teflon or silicon spray to ensure the pushchair continues to run smoothly.



The aluminium parts of your Hub pushchair are anodized to protect it from external influences such as corrosion. Anodized aluminium parts are vulnerable to acidic cleaners or grease, which can cause stains and discoloration of the aluminium parts. We therefore advise you to clean the aluminum parts of your pushchair with warm water and a soft cloth.

WARRANTY

Joolz offers lifetime warranty on the Joolz Hub. The warranty covers all material and manufacturing faults, but not the exchange or return of the product. To be eligible for the lifetime warranty, all you have to do is register your Joolz pushchair on register.joolz.com within six months of purchase and keep your original proof of purchase including a purchase date. If you do not register your Joolz pushchair within six months after purchase, you will receive a two-year warranty.

The warranty is only valid if you supply the following items to your retailer along with the defective product:

- 1) Your warranty certificate,
- 2) Any form of personal identification,
- 3) A copy of the receipt of purchase (including a purchase date),
- 4) A detailed description of the defect.

You will receive the warranty certificate after you have registered your Joolz pushchair on our website register.joolz.com.

If your retailer cannot assist you with your complaint, contact Joolz. Please note, any repairs do not extend the warranty period.

THE WARRANTY DOES NOT COVER:

- 1) Defects caused by ordinary wear and tear, such as worn wheels and fabrics by everyday use, scratches on the aluminium and/or metal and natural discoloration of materials over time or by not following the maintenance instructions.
- 2) Damage to wheels such as holes and tears.
- 3) Damage caused by accidents, improper use, negligence, fire, contact with liquids or another external cause.
- 4) Damage resulting from non-compliance with the instruction manual, instruction movies or other Joolz guidelines.
- 5) Damage caused by another product, including accessories.
- 6) Damage by service or repair by an unofficial representative of Joolz.
- 7) Theft.
- 8) Air transportation or freight damage.

Safety was an important consideration throughout the development of the Joolz Hub pushchair and cot. Our products therefore meet the following safety standards:

Europe: EN 1888:2012 / EN 1466:2014/AC: 2015
 United States: ASTM F833-15 / ASTM F2050-16
 Canada: SOR/2016-167
 Australia: AS/NZS 2088:2013

Please visit joolz.com, facebook.com/myjoolz or contact your retailer for any questions and/or comments.

IMPORTANT: PLEASE READ THESE INSTRUCTIONS CAREFULLY BEFORE USAGE AND KEEP THEM FOR FUTURE REFERENCE.

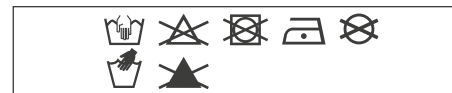
FOLLOW THE MANUFACTURER'S INSTRUCTION.

WARNING

- + Do not leave children unattended. Secure the child in the harness at all times.
- + Seat usage is not recommended for a child under 6 months.
- + Do not use this seat with any other models of pram/stroller.
- + Care should be taken if the pram/stroller is used on stairs or escalators.
- + The pram/stroller should not be used near an open fire or exposed flame.
- + The brakes must always be applied when the pram/stroller is not moving.
- + The vehicle is designed for use on flat or gently sloping surfaces and may be unstable on higher sloping and uneven surfaces.
- + Be aware of finger entrapment when folding or unfolding the pram/stroller. Due care should be exercised.
- + Always use the storage latch in engaged position.
- + To avoid injury or death: always apply the brakes whenever the pram/stroller is stationary.
- + Do not carry extra children or bags on this pram/stroller.
- + Make sure children are clear of any moving parts if you adjust the pram/stroller.
- + Use the strap to stop the pram/stroller from rolling away.
- + Do not use this bassinet once the child can sit up unaided.
- + Never leave a harness buckled when not fitted to a child in the pram/stroller because the harness can form loops which may pose a strangulation hazard.
- + Take care if the pram/stroller is used on stairs or escalators.
- + The maximum weight of the shopping basket is 5 kg.
- + Make sure storage latch is engaged when lifting or carrying the stroller.
- + Use carry strap to safely transport folded stroller.
- + Always use bumper bar in locked position.

MAINTENANCE / WASHING INSTRUCTIONS

Clean the fabric with lukewarm water and soap. Rinse with fresh water and leave to dry. Never use bleach or other chemical detergents. Periodically (approximately once a month) treat the wheels and metal parts with Teflon or silicon spray to ensure the pushchair continues to run smoothly.



The aluminium parts of your Hub pushchair are anodized to protect it from external influences such as corrosion. Anodized aluminium parts are vulnerable to acidic cleaners or grease, which can cause stains and discoloration of the aluminium parts. We therefore advise you to clean the aluminium parts of your pushchair with warm water and a soft cloth.

WARRANTY

Our goods come with guarantees that cannot be excluded under the Australian Consumer Law. You are entitled to a replacement or refund for a major failure and for compensation for any other reasonably foreseeable loss or damage. You are also entitled to have the goods repaired or replaced if the goods fail to be of acceptable quality and the failure does not amount to a major failure.

Joolz offers lifetime warranty on the Joolz Hub. The warranty covers all material and manufacturing faults, but not the exchange or return of the product. To be eligible for the lifetime warranty, all you have to do is register your Joolz pushchair on register.joolz.com within six months of purchase and keep your original proof of purchase including a purchase date. If you do not register your Joolz pushchair within six months after purchase, you will receive a two-year warranty.

The warranty is only valid if you supply the following items to Anstel Brands along with the defective product:

- 1) Your warranty certificate,
- 2) Any form of personal identification,
- 3) A copy of the receipt of purchase (including a purchase date),
- 4) A detailed description of the defect.

You will receive the warranty certificate after you have registered your Joolz pushchair on our website register.joolz.com.

Please contact Anstel Brands for any warranty claims. Please note, any repairs do not extend the warranty period.

THE WARRANTY DOES NOT COVER:

- 1) Defects caused by ordinary wear and tear, such as worn wheels and fabrics by everyday use, scratches on the aluminium and/or metal and natural discoloration of materials over time or by not following the maintenance instructions.
- 2) Damage to wheels such as holes and tears.
- 3) Damage caused by accidents, improper use, negligence, fire, contact with liquids or another external cause.
- 4) Damage resulting from non-compliance with the instruction manual, instruction movies or other Joolz guidelines.
- 5) Damage caused by another product, including accessories.
- 6) Damage by service or repair by an unofficial representative of Joolz.
- 7) Theft.
- 8) Air transportation or freight damage.

SAFETY

Safety was an important consideration throughout the development of the Joolz Hub pushchair and cot. Our products therefore meet the following safety standards:

Europe: EN 1888:2012 / EN 1466:2014/AC: 2015
 United States: ASTM F833-15 / ASTM F2050-16
 Canada: SOR/2016-167
 Australia: AS/NZS 2088:2013

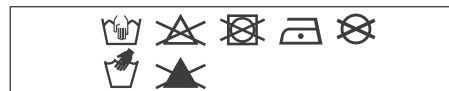
IMPORTANT: PLEASE READ THESE INSTRUCTIONS CAREFULLY BEFORE USAGE AND KEEP THEM FOR FUTURE REFERENCE.

⚠ WARNING

- + Never leave your child unattended.
- + Ensure that all the locking devices are engaged before use.
- + To avoid injury ensure that your child is kept away when adjusting, unfolding and folding this product.
- + Do not let your child play with this product.
- + This seat unit is not suitable for children under 6 months.
- + Avoid serious injury from falling or sliding out.
- + Always use the restraint system.
- + Check that the bassinet, seat or car seat unit attachment devices are correctly engaged before use.
- + This product is not suitable for running or skating.
- + The Joolz Hub bassinet and seat units are only compatible with the Joolz Hub chassis and vice versa.
- + Do not use an additional mattress.
- + Any load attached to the sides and/or handlebar of the Joolz Hub stroller may affect its stability.
- + The Joolz Hub bassinet or seat units can each carry only one passenger.
- + Only use body seats, car seats, replacement parts and accessories that are approved by Joolz.
- + For car seats in conjunction with the Joolz Hub chassis, this vehicle does not replace a bassinet or a bed. Should your child needs to sleep, it should be placed in the Joolz Hub stroller chassis, bassinet or bed.
- + Do not use the stroller if any of the parts are damaged, torn or missing.
- + Always apply the swivel lock on the front wheels when folding the stroller. Failing to do so can result in obstruction of the tires, leading to deformation, especially in a hot environment.
- + The brakes should always be engaged when placing and removing the children.
- + Accessories not provided by Joolz should not be used.
- + Only spare parts supplied or recommended by Joolz should be used.
- + This seat is intended for children from 6 months, up to maximum weight of 22 kg/48.5 lbs.
- + Adding parcels, accessory items and/or excessive weight may cause hazardous unstable conditions.

MAINTENANCE / WASHING INSTRUCTIONS

Clean the fabric with lukewarm water and soap. Rinse with fresh water and leave to dry. Never use bleach or other chemical detergents. Periodically (approximately once a month) treat the wheels and metal parts with Teflon or silicon spray to ensure the stroller continues to run smoothly.



The aluminium parts of your Hub stroller are anodized to protect it from external influences such as corrosion. Anodized aluminium parts are vulnerable to acidic cleaners or grease, which can cause stains and discoloration of the aluminium parts. We therefore advise you to clean the aluminum parts of your stroller with warm water and a soft cloth.

WARRANTY

Joolz offers lifetime warranty on the Joolz Hub. The warranty covers all material and manufacturing faults, but not the exchange or return of the product. To be eligible for the lifetime warranty, all you have to do is register your Joolz stroller on register.joolz.com within six months of purchase and keep your original proof of purchase including a purchase date. If you do not register your Joolz stroller within six months after purchase, you will receive a two-year warranty. The warranty is only valid if you supply the following items to your retailer along with the defective product:

- 1) Your warranty certificate,
- 2) Any form of personal identification,
- 3) A copy of the receipt of purchase (including a purchase date),
- 4) A detailed description of the defect.

You will receive the warranty certificate after you have registered your Joolz stroller on our website register.joolz.com.

If your retailer cannot assist you with your complaint, contact Joolz. Please note, any repairs do not extend the warranty period.

THE WARRANTY DOES NOT COVER:

- 1) Defects caused by ordinary wear and tear, such as worn wheels and fabrics by everyday use, scratches on the aluminium and/or metal and natural discoloration of materials over time or by not following the maintenance instructions.
- 2) Damage to wheels such as holes and tears.
- 3) Damage caused by accidents, improper use, negligence, fire, contact with liquids or another external cause.
- 4) Damage resulting from non-compliance with the instruction manual, instruction movies or other Joolz guidelines.
- 5) Damage caused by another product, including accessories.
- 6) Damage by service or repair by an unofficial representative of Joolz.
- 7) Theft.
- 8) Air transportation or freight damage.

Safety was an important consideration throughout the development of the Joolz Hub stroller and cot. Our products therefore meet the following safety standards:

Europe: EN 1888:2012 / EN 1466:2014/AC: 2015
 United States: ASTM F833-15 / ASTM F2050-16
 Canada: SOR/2016-167
 Australia: AS/NZS 2088:2013

Please visit joolz.com, facebook.com/myjoolz or contact your retailer for any questions and/or comments.

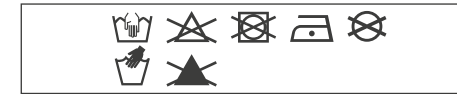
WICHTIG: BITTE LESEN SIE SICH DIESE ANWEISUNGEN VOR DER VERWENDUNG SORGFÄLTIG DURCH UND BEWAHREN SIE SIE FÜR REFERENZZWECKE AUF.

⚠️ WARNUNG

- + Lassen Sie Ihr Kind niemals unbeaufsichtigt.
- + Stellen Sie sicher, dass alle Verriegelungselemente vor der Verwendung geschlossen sind.
- + Stellen Sie, um Verletzungen zu vermeiden, sicher, dass Ihr Kind nicht in Reichweite ist, wenn dieses Produkt auf- oder zugeklappt wird.
- + Lassen Sie Ihr Kind nicht mit dem Produkt spielen.
- + Diese Sitzeinheit ist für Kinder unter 6 Monaten nicht geeignet.
- + Verwenden Sie immer das Rückhaltesystem.
- + Prüfen Sie, dass die Befestigungsvorrichtungen von Wanne, Sitze oder Babyschale korrekt eingerastet sind.
- + Dieses Produkt ist nicht zum Laufen oder Skaten geeignet.
- + Joolz Hub Wannen und Sitzeinheiten sind nur mit dem Joolz Hub Gestell und umgekehrt kompatibel.
- + Verwenden Sie keine zusätzliche Matratze.
- + Gewichte, die an den Seiten und/oder am Griff des Joolz Hub -Kinderwagens angebracht sind, können die Stabilität beeinträchtigen.
- + Wannen oder Sitzeinheiten des Joolz Hub sind jeweils nur für einen Passagier gedacht.
- + Verwenden Sie nur Wannen, Sitzeinheiten, Ersatzteile und Zubehör, das von Joolz zugelassen ist.
- + Eine Babyschale in Verbindung mit dem Joolz Hub Gestell kann weder eine Wiege noch ein Bett ersetzen. Wenn Ihr Kind schlafen muss, sollten Sie es in eine geeignete Wiege oder ein Bett legen.
- + Verwenden Sie den Kinderwagen nicht, wenn Teile beschädigt oder gerissen sind oder ganz fehlen.
- + Aktivieren Sie beim Zusammenklappen des Kinderwagens immer den Feststellclip für die Schwenkräder.
- + Beim Hereinlegen oder Herausnehmen des Kindes sollten die Bremsen immer blockiert sein.
- + Zubehör, das nicht von Joolz bereitgestellt wurde, sollte nicht verwendet werden.
- + Verwenden Sie nur Ersatzteile, die von Joolz geliefert oder empfohlen werden.
- + Dieser Sitz ist für Kinder ab 6 Monaten gedacht, mit einem Höchstgewicht von 22 kg/48.5 lbs.
- + Schwere Verletzungen durch Herausfallen oder -rutschen vermeiden
- + Der Transport von Paketen, Accessoires und/oder anderen schweren Dingen kann zu gefährlicher Instabilität führen.

WARTUNG/WASCHANLEITUNG

Reinigen Sie den Stoff mit lauwarmem Wasser und Seife. Spülen Sie ihn mit frischem Wasser und lassen Sie ihn trocknen. Verwenden Sie keine Bleichmittel oder chemischen Reinigungsmittel. Behandeln Sie die Räder und Metallteile in regelmäßigen Abständen (etwa einmal pro Monat) mit Teflon- oder Silikonspray um sicherzustellen, dass der Kinderwagen weiter reibungslos fährt.



Die Aluminiumteile Ihres Hub-Kinderwagens sind eloxiert, um sie vor externen Einflüssen wie Rost zu schützen. Eloxierete Aluminiumteile reagieren empfindlich auf säurehaltige Reinigungsmittel oder Fett, was zu Flecken oder Verfärbungen der Aluminiumteile führen kann. Wir raten Ihnen aus diesem Grund, die Aluminiumteile Ihres Kinderwagens mit warmem Wasser und einem weichen Tuch zu reinigen.

GARANTIE

Joolz bietet eine lebenslange Garantie auf den Joolz Hub. Die Garantie umfasst alle Material- und Herstellungsfehler, nicht aber den Umtausch und die Rückgabe des Produktes. Für den Anspruch auf die lebenslange Garantie musst Du Deinen Joolz-Kinderwagen einfach innerhalb von sechs Monaten nach dem Kauf auf register.joolz.com registrieren und Deinen Originalkaufbeleg mit Kaufdatum aufbewahren. Wenn Du Deinen Joolz-Kinderwagen nicht innerhalb von sechs Monaten nach dem Kauf registrierst, erhältst Du eine zweijährige Garantie.

Die Garantie kann nur gewährleistet werden, wenn Folgendes zusammen mit dem defekten Produkt beim Händler vorgelegt wird:

- 1) Dein garantiezerifikat,
- 2) Jede form einer persönlichen identifikation,
- 3) Eine kopie des kaufbelegs (einschließlich kaufdatum),
- 4) Eine detaillierte beschreibung des mangels.

Du erhältst das Garantiezertifikat, nachdem Du Deinen Joolz-Kinderwagen auf unserer Website register.joolz.com registriert hast.

Wenn Dein Händler bei der Reklamation nicht weiterhelfen kann, wende Dich bitte an Joolz. Bitte beachte, dass Reparaturen den Garantiezeitraum nicht verlängern.

DIE GARANTIE DECKT FOLGENDES NICHT AB:

- 1) Defekte, die durch gewöhnlichen Verschleiß verursacht werden, wie z. B. abgenutzte Räder und Stoffe bei alltäglichem Gebrauch, Kratzer auf dem Aluminium und/oder Metall und natürliche Verfärbung von Materialien im Laufe der Zeit oder bei Nichtbeachtung der Wartungsanweisungen.
- 2) Schäden an den Rädern, wie Löcher oder Risse.
- 3) Schäden durch Unfälle, unsachgemäßen Gebrauch, Fahrlässigkeit, Feuer, Kontakt mit Flüssigkeiten oder anderen äußeren Ursachen.
- 4) Schäden, die sich aus der Nichtbeachtung der Bedienungsanleitung, Anleitungsvideos oder anderer Joolz-Richtlinien ergeben.
- 5) Schäden, die durch ein anderes Produkt, einschließlich Accessoires, verursacht werden.
- 6) Schäden durch eine Wartung oder Reparatur durch einen inoffiziellen Vertreter von Joolz.
- 7) Diebstahl.
- 8) Lufttransport- oder Frachtschäden.

Die Sicherheit war bei der gesamten Entwicklung des Joolz Hub-Kinderwagens und der Wanne ein wichtiger Aspekt. Unsere Produkte erfüllen daher folgende Sicherheitsstandards:

Europa: EN 1888:2012 / EN 1466:2014/AC: 2015
 USA: ASTM F833-15 / ASTM F2050-16
 Kanada: SOR/2016-167
 Australien: AS/NZS 2088:2013

Bei Fragen und/oder Anmerkungen kannst Du joolz.com, facebook.com/myjoolz besuchen, oder Dich an Deinen Händler wenden.

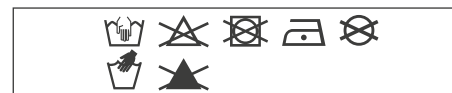
BELANGRIJK: NEM DEZE AANWIJZINGEN VOOR GEBRUIK ZORGVULDIG DOOR EN BEWAAR ZE VOOR TOEKOMSTIG GEBRUIK.

⚠ WAARSCHUWING

- + Laat uw kind nooit achter zonder toezicht.
- + Zorg dat alle sluitingen voor gebruik zijn vastgemaakt.
- + Voorkom letsel en houd uw kind uit de buurt tijdens het in- en uitklappen van dit product.
- + Laat uw kind niet met dit product spelen.
- + Dit stoeltje is niet geschikt voor kinderen jonger dan 6 maanden.
- + Controleer voor gebruik of de wieg, het stoeltje of het autostoeltje op de juiste manier zijn bevestigd. Gebruik altijd de gordels.
- + Dit product is niet geschikt om mee te joggen of te rolschaatsen.
- + De wieg en het stoeltje van de Joolz Hub passen alleen op het onderstel van de Joolz Hub en omgekeerd.
- + Gebruik geen extra matrassen.
- + Gewicht dat aan de zijkanten en/of de handgreep van de Joolz Hub wordt gehangen kan de stabiliteit van de kinderwagen beïnvloeden.
- + De wieg en het stoeltje van de Joolz Hub zijn beide geschikt voor één passagier.
- + Gebruik alleen stoeltjes, autostoeltjes, vervangende onderdelen en accessoires die door Joolz zijn goedgekeurd.
- + Voor autostoeltjes die gebruikt worden met het onderstel van de Joolz Hub, dit is geen vervanging voor een wieg of bed. Plaats uw kind als het wil slapen in de wieg of in bed van de Joolz Hub kinderwagen.
- + Gebruik de kinderwagen niet als er onderdelen beschadigd, gescheurd of incompleet zijn.
- + Vergrendel altijd de voorste zwenkwielen als u de wandelwagen inklapt. Als deze aanwijzing niet wordt opgevolgd kunnen de banden geblokkeerd raken en vervormen, met name in een warme omgeving.
- + De vergrendeling moet altijd worden gebruikt bij het plaatsen en verwijderen van kinderen.
- + Gebruik geen accessoires die niet door Joolz zijn geleverd.
- + Gebruik alleen reserve onderdelen die door Joolz worden geleverd of aanbevolen.
- + Dit stoeltje is bedoeld voor kinderen vanaf 6 maanden met een maximaal gewicht van 22 kg/48.5 lbs.
- + Voorkom ernstig letsel dat ontstaat door eruit te vallen of te glijden
- + Het toevoegen van pakketjes, accessoires en extra gewicht kan mogelijk leiden tot gevaarlijke onstabiele omstandigheden.

AANWIJZINGEN VOOR ONDERHOUD/REINIGING

Reinig de stof met lauw water en zeep. Spoel af met schoon water en laat drogen. Gebruik geen bleek of andere chemische reinigingsmiddelen. Behandel de wielen en de metalen onderdelen regelmatig (ongeveer een keer per maand) met Teflon of met siliconenspray, zodat de kinderwagen soepel blijft werken.



De aluminium onderdelen van de Hub kinderwagen zijn geanodiseerd en daardoor beschermd tegen externe invloeden zoals corrosie. Geanodiseerde aluminium onderdelen zijn slecht bestand tegen zure schoonmaakmiddelen of vet, waardoor vlekken en verkleuringen kunnen ontstaan. Wij raden dan ook aan om de aluminium onderdelen van de kinderwagen te reinigen met warm water en een zachte doek.

GARANTIE

Joolz biedt levenslange garantie op de Joolz Hub. Alle materiaal- en fabricagefouten worden gedekt door de garantie, maar dit geldt niet voor het ruilen of terugbrengen van het product. In aanmerking komen voor de levenslange garantie? Registreer je kinderwagen binnen zes maanden op register.joolz.com en bewaar het originele aankoopbewijs met de aankoopdatum. Indien je jouw Joolz kinderwagen niet registreert binnen zes maanden na aankoop, dan krijg je standaard een garantie van twee jaar.

De garantie is alleen geldig als het defecte product bij de winkelier wordt afgeleverd samen met het volgende:

- 1) Je garantiecertificaat,
- 2) Een legitiematiebewijs,
- 3) Een kopie van het aankoopbewijs (met aankoopdatum),
- 4) Een uitgebreide beschrijving van het mankement.

Het garantiecertificaat krijg je nadat je jouw Joolz kinderwagen hebt geregistreerd op de website register.joolz.com.

Neem contact op met Joolz, als je winkelier je niet kan helpen met je klacht. Let op: de garantieperiode wordt niet verlengd als er reparaties moeten worden uitgevoerd.

HET VOLGENDE WORDT NIET GEDEKT DOOR DE GARANTIE:

- 1) Gebreken die worden veroorzaakt door gewone slijtage, zoals wielen en stoffen die versleten raken door alledaags gebruik, krassen op het aluminium en/of metaal en de natuurlijke verkleuring van materialen die na verloop van tijd ontstaat, of door het niet opvolgen van de onderhoudsvoorschriften.
- 2) Schade aan wielen, zoals gaten en scheuren.
- 3) Schade door ongelukken, oneigenlijk gebruik, nalatigheid, vuur, contact met vloeistoffen of een andere externe oorzaak.
- 4) Schade als gevolg van het niet opvolgen van de gebruiksaanwijzing, instructiefilms of andere richtlijnen van Joolz.
- 5) Schade door toedoen van een ander product, inclusief accessoires.
- 6) Schade door service of reparatie door iemand die geen officiële vertegenwoordiger is van Joolz.
- 7) Diefstal.
- 8) Luchttransport of vrachtschade.

Tijdens het ontwikkelen van de Joolz Hub kinderwagen en wieg werd veel aandacht besteed aan veiligheid. Onze producten voldoen derhalve aan de volgende veiligheidsstandaarden:

Europa: EN 1888:2012 / EN 1466:2014/AC: 2015
Verenigde Staten: ASTM F833-15 / ASTM F2050-16
Canada: SOR/2016-167
Australië: AS/NZS 2088:2013

Vragen of opmerkingen? Ga naar my.joolz.com, facebook.com/myjoolz of neem contact op met je winkelier.

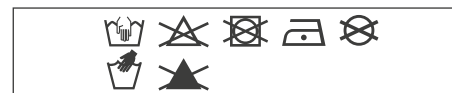
IMPORTANT: VEUILLEZ LIRE ATTENTIVEMENT CES INSTRUCTIONS AVANT D'UTILISER LA POUSSETTE ET CONSERVEZ-LES POUR FUTURE RÉFÉRENCE.

⚠ AVERTISSEMENT

- + Ne laissez jamais votre enfant sans surveillance.
- + Vérifiez que tous les dispositifs de verrouillage sont correctement enclenchés avant toute utilisation.
- + Afin d'éviter toute blessure, assurez-vous de maintenir votre enfant à l'écart lorsque vous pliez et dépliez la poussette.
- + Ne laissez pas votre enfant jouer avec ce produit.
- + Ce siège ne convient pas aux enfants de moins de 6 mois.
- + Utilisez toujours le système de retenue.
- + Vérifiez que les nacelles, sièges ou sièges auto sont bien fixés avant toute utilisation.
- + Ce produit ne convient pas pour faire du jogging ou des promenades en rollers.
- + Les nacelles et sièges Joolz Hub ne sont compatibles qu'avec le châssis Joolz Hub, et inversement.
- + N'utilisez pas de matelas supplémentaire.
- + Toute charge fixée sur les côtés et/ou sur le guidon de la poussette Joolz peut affecter sa stabilité.
- + Les nacelles ou sièges Joolz Hub ne peuvent accueillir qu'un seul passager.
- + N'utilisez que les sièges, les sièges auto, les pièces de rechange et les accessoires approuvés par Joolz.
- + Pour les sièges auto utilisés en conjonction avec le châssis Joolz Hub, ce mode de transport ne remplace pas une nacelle ou un lit. Si votre enfant a besoin de dormir, il doit être placé dans la poussette Joolz Hub, une nacelle ou un lit.
- + N'utilisez pas la poussette si l'une des pièces est endommagée, usée ou manquante.
- + Verrouillez toujours les roues avant pivotantes lorsque vous pliez la poussette. Le non-respect de cette consigne peut causer l'obstruction des pneus et entraîner leur déformation, surtout dans un environnement chaud.
- + Les freins devraient toujours être engagés lorsque vous placez votre enfant dans la poussette ou l'en sortez.
- + N'utilisez pas d'accessoires non fournis par Joolz.
- + Seules les pièces de rechange fournies ou recommandées par Joolz devraient être utilisées.
- + Ce siège est destiné aux enfants d'au moins 6 mois, jusqu'à un poids maximum de 22 kg/48.5 lbs.
- + Évitez les blessures graves que peuvent entraîner les chutes ou les glissades.
- + L'ajout de paquets, d'accessoires et/ou de poids excessif peut entraîner des conditions instables et dangereuses.

CONSIGNES D'ENTRETIEN/DE NETTOYAGE

Nettoyez la housse à l'eau tiède et au savon. Rincez à l'eau froide et laissez sécher. N'utilisez jamais d'eau de javel ni d'autres détergents chimiques. Traitez régulièrement (environ une fois par mois) les roues et pièces métalliques avec un spray de Téflon ou de silicone, pour que la poussette continue de rouler correctement.



Les pièces en aluminium de votre poussette Hub sont anodisées pour les protéger des éléments externes, tels que la corrosion. Les pièces en aluminium anodisé sont vulnérables aux nettoyants acides ou aux graisses, qui peuvent provoquer des taches et une décoloration des pièces en aluminium. Nous vous conseillons de nettoyer les pièces en aluminium de votre poussette à l'eau chaude et avec un chiffon doux.

GARANTIE

Joolz offre une garantie à vie sur la Joolz Hub. Cette garantie couvre tous les défauts de matériel et de fabrication, mais pas l'échange ou le retour du produit. Pour bénéficier de la garantie à vie, il vous suffit d'enregistrer votre poussette Joolz sur register.joolz.com au cours des six mois suivant son achat et de conserver votre reçu d'origine où figure la date d'achat. Si vous n'enregistrez pas votre poussette Joolz dans les six mois suivant son achat, vous bénéficierez d'une garantie de deux ans.

La garantie n'est valable que si vous présentez les éléments suivants à votre revendeur en même temps que le produit défectueux:

- 1) Votre certificat de garantie,
- 2) Une pièce d'identité,
- 3) Une copie de la preuve d'achat (précisant la date d'achat),
- 4) Une description détaillée du défaut.

Vous recevrez le certificat après avoir enregistré votre poussette Joolz sur notre site Internet register.joolz.com.

Si votre revendeur ne peut répondre à votre demande, contactez Joolz. Veuillez noter que les réparations ne prolongent pas la période de garantie.

LA GARANTIE NE COUVRE PAS:

- 1) Les défauts causés par l'usure normale, comme l'usure des roues et des tissus liée à l'usage quotidien, les rayures sur l'aluminium et/ou le métal et la décoloration naturelle des matériaux dans le temps, ni les dégâts dus au non-respect des instructions d'entretien.
- 2) Les dégâts subis par les roues, tels que trous et déchirures.
- 3) Les dégâts causés par des accidents, une mauvaise utilisation, la négligence, le feu, le contact avec des liquides ou toute autre cause externe.
- 4) Les dégâts résultant du non-respect des consignes du mode d'emploi, des vidéos explicatives ou d'autres directives de Joolz.
- 5) Les dégâts causés par un autre produit, y compris les accessoires.
- 6) Les dégâts consécutifs à un entretien ou une réparation effectués par un représentant non officiel de Joolz.
- 7) Le vol.
- 8) Les dégâts subis pendant le transport aérien ou ordinaire.

La sécurité est au cœur du développement de la poussette et de la nacelle Joolz Hub. Nos produits respectent donc les normes de sécurité les plus strictes :

Europe: EN 1888:2012 / EN 1466:2014/AC: 2015
 États-Unis: ASTM F833-15 / ASTM F2050-16
 Canada: SOR/2016-167
 Australie: AS/NZS 2088:2013

Veillez consulter my-joolz.fr, facebook.com/myjoolz ou contacter votre revendeur pour toute question et/ou commentaire.

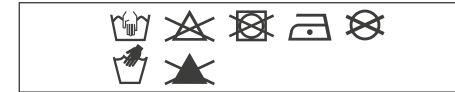
IMPORTANTE: LEE ESTAS INSTRUCCIONES CUIDADOSAMENTE ANTES DE USAR Y GUÁRDALAS PARA CONSULTAS FUTURAS.

⚠️ ADVERTENCIA

- + Nunca dejes al niño solo sin supervisión.
- + Comprueba que todos los dispositivos de bloqueo están activados antes del uso.
- + Para evitar que se produzcan lesiones, asegúrate de que los niños están alejados al desplegar y plegar este producto.
- + No permitas que los niños jueguen con este producto.
- + Esta sillita no es adecuada para niños menores de 6 meses.
- + Utiliza siempre el sistema de retención.
- + Comprueba que los dispositivos de conexión de los capazos, las sillitas o los portabebés están bien colocados antes de usarlos.
- + Este producto no es adecuado para correr o patinar.
- + Los capazos y las sillitas Joolz Hub solo son compatibles con el chasis del Joolz Hub y viceversa.
- + No utilizar colchones adicionales.
- + Las cargas colocadas en los laterales y/o el manillar del carrito Joolz Hub pueden afectar su estabilidad.
- + El capazo o la sillita Joolz Hub puede transportar solo a un pasajero.
- + Utilizar solo sillitas, portabebés, piezas de repuesto y accesorios aprobados por Joolz.
- + Para portabebés conectados al chasis del Joolz Hub, este vehículo no sustituye a un capazo o a una cama. Si el niño necesita dormir, debe colocarse en la sillita o el capazo del Joolz Hub o en una cama.
- + No utilizar el carrito si una de las piezas está dañada, rota o faltante.
- + Acciona siempre el bloqueo de las ruedas giratorias delanteras al plegar la silla. De no hacerlo, esto podría obstruir los neumáticos y deformarlos, especialmente cuando hace un tiempo caluroso.
- + Pisa siempre el freno al meter o sacar el niño del carrito.
- + No deben usarse otros accesorios no proporcionados por Joolz.
- + Solo deben usarse piezas de repuesto suministradas o recomendadas por Joolz.
- + Esta sillita está indicada para niños mayores de seis meses y hasta un peso máximo de 22 kg/48.5 lbs.
- + Evita que se produzcan lesiones graves por caídas o deslizamientos.
- + Añadir paquetes, accesorios y/o una carga excesiva puede provocar condiciones inestables peligrosas.

INSTRUCCIONES DE LAVADO/ MANTENIMIENTO

Limpia el tejido con agua templada y jabón. Aclara el tejido con agua limpia y deja secar al aire. No utilices lejías ni otros detergentes abrasivos. Trata las ruedas y las otras piezas metálicas periódicamente (una vez al mes aprox.) con spray de silicona o teflón para garantizar un funcionamiento correcto del carrito.



Las piezas de aluminio del carrito Hub están anodizadas para protegerlo de las influencias externas tales como la corrosión. Las piezas de aluminio anodizado son vulnerables a la grasa y los detergentes ácidos, lo que puede provocar manchas y decoloración de las piezas de aluminio. Por lo tanto, recomendamos limpiar las piezas de aluminio de su carrito con agua templada y un paño suave.

GARANTÍA

Joolz ofrece garantía de por vida en el Joolz Hub. La garantía cubre todos los defectos de materiales y fabricación, pero no el cambio o la devolución del producto. Para ser elegible para la garantía de por vida, todo lo que tienes que hacer es registrar tu carrito de Joolz en register.joolz.com dentro de los seis meses posteriores a la compra y conservar tu comprobante de compra original, incluida la fecha de compra. Si no registras tu carrito Joolz en los seis meses posteriores a la compra, recibirás una garantía de dos años.

La garantía solo es válida si entrega los artículos siguientes a su distribuidor junto con el producto defectuoso:

- 1) Tu certificado de garantía,
- 2) Cualquier forma de identificación personal,
- 2) Una copia del recibo de la compra (incluida una fecha de compra),
- 3) Una descripción detallada del defecto.

Recibirás el certificado de garantía después de que hayas registrado tu silla de paseo Joolz en nuestro sitio web register.joolz.com.

Si tu vendedor no puede ayudarte con tu queja, comunícate con Joolz. Ten en cuenta que las reparaciones no extienden el período de garantía.

LA GARANTÍA NO CUBRE:

- 1) Defectos causados por el uso y desgaste normal, tales como llantas y tejidos desgastados por el uso diario, arañazos en el aluminio y/ o metal y decoloración natural de los materiales con el tiempo o al no seguir las instrucciones de mantenimiento.
- 2) Daño a las ruedas, como agujeros y desgarros.
- 3) Daño causado por accidentes, uso indebido, negligencia, incendio, contacto con líquidos u otra causa externa.
- 4) Daños resultantes del incumplimiento del manual de instrucciones, videos de instrucciones u otras pautas de Joolz.
- 5) Daño causado por otro producto, incluidos los accesorios.
- 6) Daño por servicio o reparación por un representante no oficial de Joolz.
- 7) Robo.
- 8) Transporte aéreo o daños de transporte.

La seguridad fue una consideración importante durante el desarrollo del la silla de paseo y la cuna Joolz Hub. Por lo tanto, nuestros productos cumplen con los siguientes estándares de seguridad:

Europa: EN 1888:2012 / EN 1466:2014/AC: 2015
 Estados Unidos: ASTM F833-15 / ASTM F2050-16
 Canadá: SOR/2016-167
 Australia: AS/NZS 2088:2013

Visita joolz.com, facebook.com/myjoolz o ponte en contacto con tu distribuidor si tienes cualquier pregunta y/ o comentario.

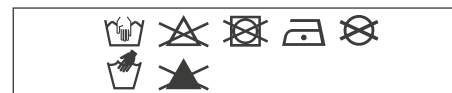
IMPORTANTE: LEIA ATENTAMENTE ESTAS INSTRUÇÕES ANTES DA UTILIZAÇÃO E GUARDE-AS PARA CONSULTA FUTURA.

⚠ AVISO

- + Nunca deixe o bebé sem supervisão.
- + Certifique-se de que todos os dispositivos de bloqueio estão engatados antes da utilização.
- + Para evitar ferimentos, certifique-se de que o bebé se mantém afastado quando desdobrar e dobrar este produto.
- + Não deixe o bebé brincar com este produto.
- + Esta cadeira não é adequada para bebés com menos de 6 meses.
- + Utilize sempre o sistema de imobilização.
- + Verifique se os dispositivos de fixação da alcofa, cadeira ou cadeira auto estão corretamente engatados antes da utilização.
- + Este produto não é adequado para ser utilizado enquanto corre ou anda de patins.
- + A alcofa e a cadeira Joolz Hub são compatíveis apenas com o chassis Joolz Hub e vice-versa.
- + Não utilize colchões adicionais.
- + Qualquer peso colocado nas partes laterais e/ou na pega do carrinho Joolz Hub poderá afetar a respetiva estabilidade.
- + A alcofa ou a cadeira Joolz Hub pode transportar apenas um passageiro.
- + Utilize apenas cadeiras, cadeiras auto, peças de substituição e acessórios aprovados pela Joolz.
- + Em cadeiras auto combinadas com o chassis Joolz Hub, este veículo não substitui uma alcofa ou cama. Se o seu bebé precisar de dormir, deve colocá-lo no carrinho, alcofa ou cama Joolz Hub.
- + Não utilize o carrinho se alguma das peças estiver danificada, rota ou em falta.
- + Aplique sempre o bloqueio basculante nas rodas dianteiras quando dobrar o carrinho. Caso contrário, os pneus podem ficar obstruídos e isso pode causar deformações, especialmente em ambientes quentes.
- + Os travões devem estar sempre engatados quando colocar e retirar o bebé.
- + Não devem ser utilizados acessórios não fornecidos pela Joolz.
- + Apenas devem ser utilizadas peças suplentes fornecidas ou recomendadas pela Joolz.
- + Esta cadeira destina-se a crianças a partir dos 6 meses até ao peso máximo de 22 kg/48.5 lbs.
- + Evite ferimentos graves devido a queda ou deslizamento
- + A adição de partes, acessórios e/ou peso excessivo pode causar condições instáveis perigosas.

MANUTENÇÃO/INSTRUÇÕES DE LAVAGEM

Limpe o tecido com água morna e sabão. Passe por água limpa e deixe secar. Nunca utilize lixívia ou outros detergentes químicos. Periodicamente (aproximadamente uma vez por mês), aplique um spray de Teflon ou silicone nas rodas e peças de metal para garantir que o carrinho continua a mover-se com facilidade.



As peças de alumínio do carrinho Hub são anodizadas para o proteger de influências externas como a corrosão. As peças de alumínio anodizado são vulneráveis a produtos de limpeza ácidos ou lubrificantes, que podem causar manchas e descoloração nas peças de alumínio. Recomendamos que limpe as peças de alumínio do carrinho com água morna e um pano macio.

GARANTIA

A Joolz oferece garantia vitalícia para o Joolz Hub. A garantia cobre todos os defeitos de material e de fabrico, mas não a troca ou a devolução do produto. Para ser elegível para a garantia vitalícia, basta registar o seu carrinho Joolz em register.joolz.com, no prazo de seis meses após a compra, e guardar a prova de compra original com indicação da data da compra. Se não registar o seu carrinho Joolz no prazo de seis meses após a compra, receberá uma garantia de dois anos.

A garantia é válida apenas se fornecer os seguintes itens ao seu revendedor juntamente com o produto defeituoso:

- 1) O certificado de garantia,
- 2) Qualquer forma de identificação pessoal,
- 3) Uma cópia do talão de compra (incluindo a data da compra),
- 4) Uma descrição detalhada do defeito.

Receberá o certificado de garantia depois de registar o seu carrinho Joolz no nosso website register.joolz.com.

Se o seu revendedor não conseguir ajudar com a sua reclamação, contacte a Joolz. Tenha em atenção que quaisquer reparações efetuadas não prolongam o período de garantia.

A GARANTIA NÃO COBRE:

- 1) Defeitos causados por desgaste normal como, por exemplo, rodas e tecidos gastos pelo uso diário, riscos no alumínio e/ou metal, descoloração natural dos materiais ao longo do tempo ou não cumprimento das instruções de manutenção.
- 2) Danos nas rodas como, por exemplo, furos e rasgos.
- 3) Danos causados por acidentes, utilização inadequada, negligência, incêndio, contacto com líquidos ou outra causa externa.
- 4) Danos resultantes do não cumprimento do manual de instruções, filmes de instruções ou outras linhas de orientação da Joolz.
- 5) Danos causados por outro produto, incluindo acessórios.
- 6) Danos decorrentes de uma assistência ou reparação realizada por um representante não oficial da Joolz.
- 7) Roubo.
- 8) Danos decorrentes de transporte aéreo ou frete.

A segurança foi uma consideração importante ao longo do desenvolvimento do carrinho e da alcofa Joolz Hub. Como tal, os nossos produtos cumprem as seguintes normas de segurança:

Europa: EN 1888:2012 / EN 1466:2014/AC: 2015
Estados Unidos: ASTM F833-15 / ASTM F2050-16
Canadá: SOR/2016-167
Austrália: AS/NZS 2088:2013

Visite my-joolz.com, facebook.com/myjoolz ou contacte o seu revendedor se tiver dúvidas e/ou comentários.

IMPORTANTE: SI PREGA DI LEGGERE QUESTE ISTRUZIONI ATTENTAMENTE PRIMA DELL'USO E DI CUSTODIRLE PER OGNI EVENIENZA.

⚠ AVVERTENZA

- + Non lasciate mai il vostro bambino incustodito.
- + Prima dell'uso verificate che tutti i dispositivi di bloccaggio siano innestati.
- + Per evitare lesioni accertatevi che il vostro bambino sia a distanza di sicurezza mentre aprite e chiudete il prodotto.
- + non lasciate che il vostro bambino giochi con questo prodotto.
- + Questo seggiolino non è adatto ai bambini sotto i 6 mesi.
- + Utilizzate sempre il sistema di ritenuta.
- + Prima dell'uso verificate che tutti i dispositivi di fissaggio della navicella, della seduta o del seggiolino per auto siano innestati.
- + L'utilizzo di questo prodotto non è indicato mentre viene svolta attività fisica come correre o pattinare.
- + Le navicelle e le sedute Joolz Hub sono compatibili solo con il telaio Joolz Hub e vice versa.
- + non utilizzate alcun materassino supplementare.
- + Qualsiasi peso fissato a un lato e/o al maniglione del passeggino Joolz Hub potrebbe comprometterne la stabilità.
- + Le navicelle o le sedute Joolz Hub possono accogliere solo un bambino alla volta.
- + Utilizzate esclusivamente sedute, seggiolini per auto, parti di ricambio e accessori approvati da Joolz.
- + Il seggiolino per auto abbinato al telaio del Joolz Hub non sostituisce la culla o il lettino. Se il vostro bambino ha bisogno di dormire, dovrete utilizzare il passeggino Joolz Hub, il passeggino o il lettino.
- + Non usate il passeggino se i componenti sono danneggiati, strappati o mancanti.
- + Applicare sempre il blocco sulle ruote anteriori prima di chiudere il passeggino, per evitare di comprimere gli pneumatici e rischiare che si deformino, soprattutto in ambienti caldi.
- + Il freno di stazionamento deve essere sempre inserito mentre adagiate o sollevate i bambini dal passeggino.
- + Non usate accessori non forniti da Joolz.
- + Utilizzate esclusivamente ricambi forniti o raccomandati da Joolz.
- + Questa seduta è destinata a bambini da 6 mesi in su, e fino ad un peso massimo di 22 kg/48.5 lbs.
- + Evitare lesioni gravi impedendo che cada o scivoli fuori.
- + Aggiungere pacchi, elementi accessori e/o pesi eccessivi può rendere pericolosamente instabile il prodotto.

MANUTENZIONE / ISTRUZIONI PER IL LAVAGGIO

Pulite il tessuto con acqua tiepida e sapone. Sciacquate con acqua pulita e lasciate asciugare. Non usate mai candeggina o altri detersivi chimici. Trattate periodicamente (circa una volta al mese) le ruote e le parti metalliche con uno spray al Teflon o al silicone affinché il passeggino possa continuare a funzionare correttamente.



Le parti in alluminio del passeggino Hub sono anodizzate per proteggerlo da fattori esterni, quali la corrosione. Le parti in alluminio anodizzato non sono resistenti ai detersivi acidi o grassi, che possono causare macchie e scolorimento. Vi consigliamo pertanto di pulire le parti in alluminio del passeggino con acqua calda e un panno morbido.

GARANZIA

Joolz offre una garanzia a vita sul Joolz Hub. La garanzia copre difetti di materiale e di fabbricazione, ma non la sostituzione o la restituzione del prodotto. Per poter usufruire della garanzia a vita non dovrete fare altro che registrare il tuo passeggino Joolz su register.joolz.com entro sei mesi dalla data di acquisto e conservare la prova di acquisto originale, completa di data di acquisto. Se non registri il tuo passeggino Joolz entro sei mesi dall'acquisto, riceverai una garanzia di due anni.

La garanzia vale solo se si forniscono i seguenti elementi al rivenditore, unitamente al prodotto difettoso:

- 1) Il certificato di garanzia;
- 2) Un qualsiasi documento di identità;
- 3) Una copia della ricevuta di acquisto (compresa la data di acquisto);
- 4) Una descrizione dettagliata del difetto.

Riceverai il certificato di garanzia a fronte della registrazione del tuo passeggino Joolz sul nostro sito web register.joolz.com.

Se il rivenditore non ti può aiutare con il reclamo, contatta Joolz. Ti preghiamo di tenere presente che eventuali riparazioni non estendono il periodo di garanzia.

LA GARANZIA NON COPRE:

- 1) Difetti causati dalla normale usura, come l'usura su ruote e tessuti causata dall'utilizzo quotidiano, graffi sull'alluminio e/o metallo e la decolorazione naturale dei materiali nel tempo o dovuta al mancato rispetto delle istruzioni per la manutenzione.
- 2) Danni a ruote, come forature o lacerazioni.
- 3) Danni causati da incidenti, uso improprio, negligenza, fuoco, contatto con liquidi o altre cause esterne.
- 4) Danni derivanti dal mancato rispetto delle istruzioni del manuale di istruzioni, dei filmati esplicativi o di altre linee guida Joolz.
- 5) Danni causati da un altro prodotto, compresi gli accessori.
- 6) Danni causati da interventi di manutenzione o riparazione eseguiti da un fornitore non ufficiale Joolz.
- 7) Furto.
- 8) Danni di trasporto, incluso il trasporto aereo..

La sicurezza è stata tenuta in grande considerazione durante lo sviluppo del passeggino e della culla Joolz Hub, pertanto i nostri prodotti soddisfano i seguenti standard di sicurezza:

Europa: EN 1888:2012 / EN 1466:2014/AC: 2015
 Stati Uniti: ASTM F833-15 / ASTM F2050-16
 Canada: SOR/2016-167
 Australia: AS/NZS 2088:2013

Visita joolz.com, facebook.com/myjoolz o contatta il tuo rivenditore per eventuali domande e/o commenti.

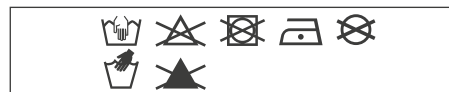
VIKTIGT: LÄS DENNA BRUKSANVISNING NOGA FÖRE ANVÄNDNING OCH SPARA DEN FÖR FRAMTIDA BRUK.

⚠ VARNING

- + Lämna aldrig barnet utan uppsikt.
- + Se till att alla låsanordningar är säkrade före användning.
- + För att undvika skada ska du se till att barnet hålls på avstånd när du faller upp och ihop produkten.
- + Låt inte ditt barn leka med produkten.
- + Den här sittdelen är inte lämplig för barn under 6 månader.
- + Använd alltid bältesystemet.
- + Kontrollera att alla fästnanordningar för liggdelen, sittdelen eller bilbarnstolen är korrekt säkrade före användning.
- + Den här produkten är inte lämplig att använda när man joggar eller åker inlines.
- + Joolz Hub-ligg- och sittdelar är endast kompatibla med Joolz Hub-chassin och vice versa.
- + Använd inte någon extra madrass.
- + All last som hängs på sidorna och/eller handtaget på din Joolz Hub kan påverka dess stabilitet.
- + Joolz Hub-ligg- eller sittdelar kan endast bära ett barn per del.
- + Använd endast sittdelar, bilbarnstolar, reservdelar och tillbehör som är godkända av Joolz.
- + Bilbarnstolar som används tillsammans med Joolz Hub-chassit ska inte ersätta en liggdel eller en säng. Om ditt barn behöver sova bör det placeras i Joolz Hub-vagnen, liggdelen eller sängen.
- + Använd inte vagnen om någon av delarna är skadade, trasiga eller saknas.
- + Lås alltid de främre hjulen när barnvagnen fälls ihop. Att inte låsa hjulen kan leda till att däcken fastnar och deformeras, särskilt i en varm miljö.
- + Bromsarna ska alltid vara säkrade när du lägger ner och tar upp ditt barn.
- + Tillbehör som inte levererats av Joolz ska inte användas.
- + Endast reservdelar som har levererats eller rekommenderats av Joolz ska användas.
- + Den här sittdelen är avsedd för barn från 6 månader upp till en maxvikt på 22 kg/48.5 lbs.
- + Undvik allvarliga skador från fall eller barn som glider ur.
- + Att lägga till varor, tillbehör och/eller övervikt kan orsaka farliga och instabila lastförhållanden.

UNDERHÅLL/TVÄTRÅD

Rengör textilerna med ljummet vatten och tvål. Skölj med rent vatten och låt torka. Använd aldrig blekmedel eller andra kemiska rengöringsmedel. Behandla hjul och metalldelar regelbundet (ungefär en gång i månaden) med teflon eller silikonspray så att vagnen fortsätter att rulla smidigt.



Aluminiumdelarna på din Hub-vagn är anodiserade för att vara skyddade från yttre påverkan såsom rost. Anodiserade aluminiumdelar är känsliga för syrabaserade rengöringsmedel och fett, vilket kan orsaka fläckar och missfärgningar på aluminiumdelarna. Vi råder dig därför att rengöra aluminiumdelarna på din barnvagn med varmt vatten och en mjuk trasa.

GARANTI

Joolz erbjuder en livstidsgaranti för Joolz Hub. Garantin täcker alla material- och tillverkningsfel, men inte byte eller retur av produkten. Allt du behöver göra för att vara berättigad för livstidsgarantin är att registrera din Joolz-barnvagn på register.joolz.com inom sex månader från inköpet och behålla ditt inköpsbevis med inköpsdatum. Om du inte registrerar din Joolz-barnvagn inom sex månader från inköpet kommer du att erhålla en tvåårig garanti.

Garantin gäller endast om du tar med följande objekt till din återförsäljare, tillsammans med den defekta produkten:

- 1) Ditt garanticertifikat,
- 2) Någon form av personlig identifikation,
- 3) En kopia av inköpskvittot (inklusive inköpsdatum),
- 4) En detaljerad beskrivning av felet.

Du får garanticertifikatet när du har registrerat din Joolz-barnvagn på vår hemsida register.joolz.com.

Om din återförsäljare inte kan hjälpa dig med ditt klagomål, kontakta Joolz. Observera att , eventuella reparationer inte förlänger garantitiden.

GARANTIN OMFATTAR INTE:

- 1) Defekter som orsakats av normalt slitage, som slitage på hjul eller textilier efter daglig användning, repor på aluminium- och/eller metalldelar samt normal missfärgning av material efter en tid eller genom att inte följa underhållsanvisningarna.
- 2) Skador på hjul t.ex. hål och slitage.
- 3) Skador som uppstått på grund av olycka, felaktig användning, misskötsel, brand, kontakt med vätskor eller andra externa orsaker.
- 4) Skador som uppstått på grund av underlåtenhet att följa bruksanvisningen, instruktionsfilmerna eller andra riktlinjer från Joolz.
- 5) Skador som orsakats av en annan produkt inklusive tillbehör.
- 6) Skador som uppstått genom service eller reparation av någon som inte är en behörig representant för Joolz.
- 7) Stöld.
- 8) Skador vid flygtransport eller frakt.

Säkerhet har varit en viktig faktor i hela utvecklingsprocessen för Joolz Hub-barnvagnen och -liggdelen. Våra produkter uppfyller därför följande säkerhetsstandarder:

Europa: EN 1888:2012/EN 1466:2014/AC: 2015
 USA: ASTM F833-15/ASTM F2050-16
 Kanada: SOR/2016-167
 Australien: AS/NZS 2088:2013

Besök gärna my.joolz.com, facebook.com/myJoolz eller kontakta din återförsäljare vid eventuella frågor och/eller kommentarer.

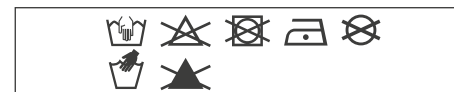
VIKTIG: VENNLIGST LES DISSE BRUKSANVISNINGENE NØYE FØR BRUK OG OPPBEVAR DEM FOR FREMTIDIG REFERANSE.

⚠ ADVARSEL

- + Forlat aldri barnet uten tilsyn.
- + Sørg for at låsemekanismene er aktivert før bruk.
- + For å unngå skade, sørg for at barnet holdes borte når du justerer, folder ut og folder sammen dette produktet.
- + Ikke la ditt barn leke med dette produktet.
- + Denne sittedelen er ikke egnet for barn under 6 måneder.
- + Bruk alltid sikkerhetsbeltene.
- + Kontroller at liggedelen, sittedelen eller festeanordningene for bilstolen er riktig festet før bruk.
- + Dette produktet er ikke egnet for løping eller bruk med skøyter.
- + Joolz Hub ligge- og sittedelene er kun kompatible med Joolz Hub understellet og omvendt.
- + Må ikke brukes med ekstra madrass.
- + Enhver last festet til sidene og/eller håndtaket til Joolz Hub barnevognen kan påvirke dens stabilitet.
- + Joolz Hub ligge- eller sittedelene kan hver bærer bare én passasjer.
- + Bruk kun ligge- eller sittedeler, bilstoler, reservedeler og tilbehør som er godkjent av Joolz.
- + For bilstoler i forbindelse med Joolz Hub understellet, erstatter dette befordringsmiddelet ikke en liggedel eller en seng. Skulle barnet ditt trenge å sove, bør det plasseres i Joolz Hub barnevognen, liggedelen eller sengen.
- + Ikke bruk barnevognen dersom noen av delene er skadet, revnet eller mangler.
- + Bruk alltid svivellåsen på forhjulene når barnevognen foldes sammen. Unnlattelse av å gjøre dette kan resultere i sperring av dekkene, noe som fører til deformasjon, spesielt i et varmt miljø.
- + Bremsene skal alltid være aktivert når du passerer og fjerner barna.
- + Tilbehør som ikke er levert av Joolz skal ikke brukes.
- + Bruk kun reservedeler levert eller anbefalt av Joolz.
- + Denne sittedelen er beregnet for barn fra 6 måneder opp til en maksimal vekt på 22 kg/48.5 lbs.
- + Unngå alvorlige personskader fra å falle eller skli ut
- + Å legge på pakker, tilbehørsprodukter og/eller overdreven vekt kan forårsake farlige ustabile forhold.

VEDLIKEHOLDS- / VASKEANVISNINGER

Rengjør stoffet med lunkent vann og såpe. Skyll med rent vann og la tørke. Bruk aldri blekemiddel eller andre kjemiske rengjøringsmidler. Behandle hjulene og metalldelene med teflon- eller silikonspray med jevne mellomrom (ca. en gang i måneden), for å sikre at barnevognen fortsetter å kjøre friksjonsfritt.



Aluminumsdelene til Hub barnevognen er anodisert for å beskytte den mot ytre påvirkninger, som korrosjon. Anodiserte aluminumsdeler er utsatte for sure rengjøringsmidler eller fett, som kan forårsake flekker og misfarging av aluminumsdelene. Vi råder deg derfor til å rengjøre aluminumsdelene til din barnevogn med varmt vann og en myk klut.

GARANTI

Joolz tilbyr livstidsgaranti på Joolz Hub. Garantien dekker alle material- og produksjonsfeil, men ikke bytte eller retur av produktet. For å være kvalifisert for livstidsgarantien, trenger du kun å registrere din Joolz barnestol på register.joolz.com innen seks måneder etter kjøpet og beholde ditt opprinnelige kjøpsbevis, inkludert kjøpsdatoen. Hvis du ikke registrerer din Joolz barnevogn innen seks måneder av kjøpet, vil du motta en to års garanti.

Garantien er bare gyldig dersom du leverer følgende elementer til forhandleren sammen med det defekte produktet:

- 1) Ditt garantibevis,
- 2) Noen form for personlig identifikasjon,
- 3) En kopi av kvitteringen for kjøpet (inkludert en kjøpsdato),
- 4) En detaljert beskrivelse av feilen.

Du vil motta garantibeviset etter at du har registrert din Joolz barnevogn på nettsiden register.joolz.com.

Hvis din forhandler ikke kan hjelpe deg med klagen din, ta kontakt med Joolz. Merk at eventuelle reparasjoner ikke forlenger garantiperioden.

GARANTIEN DEKKER IKKE:

- 1) Feil som skyldes vanlig slitasje, som slitte hjul og tekstiler ved daglig bruk, riper på aluminium og/eller metall og naturlig misfarging av materialer over tid eller ved å ikke følge vedlikeholdsinstruksjonene.
- 2) Skader på hjul som hull og flenger.
- 3) Skade forårsaket av ulykker, feilaktig bruk, uaktsomhet, brann, kontakt med væsker eller andre eksterne årsaker.
- 4) Skade som resulterer fra manglende overholdelse av bruksanvisningen, instruksjonsfilmer eller andre retningslinjer fra Joolz.
- 5) Skade forårsaket av et annet produkt, inkludert tilbehør.
- 6) Skade ved service eller reparasjon av en uoffisiell representant for Joolz.
- 7) Tyveri.
- 8) Skade under flytransport eller frakt.

Sikkerhet var en viktig faktor gjennom utviklingen av Joolz Hub-barnevognen og liggedelen. Våre produkter er oppfyllet derfor følgende sikkerhetsstandarder:

Europa: EN 1888:2012 / EN 1466:2014/AC: 2015
 USA: ASTM F833-15 / ASTM F2050-16
 Canada: SOR/2016-167
 Australia: AS/NZS2088:2013

Besøk joolz.com, facebook.com/myjoolz eller ta kontakt med din forhandler for spørsmål og/eller kommentarer.

TÄRKEÄÄ: LUE NÄMÄ OHJEET HUOLELLISESTI ENNEN KÄYTTÖÄ JA PIDÄ NE TALLELLA MYÖHEMPÄÄ TARVETTA VARTEN.

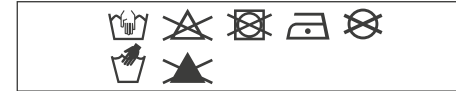
VAROITUS

- + Älä koskaan jätä lastasi ilman valvontaa.
- + Varmista, että kaikki lukituslaitteet on lukittu ennen käyttöä.
- + Vältä vammat varmistamalla, että lapsi on poissa liikkuvien osien luota, kun avaat ja taitat kokoon tätä tuotetta.
- + Älä anna lapsesi leikkiä tällä tuotteella.
- + VAROITUSTämä istuinosa on tarkoitettu lapsille, jotka ovat alle 6 kuukauden ikäisiä.
- + Käytä aina turvajärjestelmää.
- + Tarkasta, että makuuosan, istuinosan tai turvaistuimen kiinnityslaitteet on asianmukaisesti kiinnitetty ennen käyttöä.
- + VAROITUSTämä tuote ei sovellu juoksemiseen tai luisteleamiseen.
- + VAROITUSJoolz Hub -makuu ja istuinosa on tarkoitettu vain Joolz Hub -rungon kanssa ja päinvastoin.
- + Älä käytä lisäpatjan kanssa.
- + Mikäli kuormaa kiinnitetään Joolz Hub -rattaiden sivuille ja/tai työntöaisaan, sen vakaus voi heikentyä.
- + VAROITUSJoolz Hub -makuu- tai istuinosa on tarkoitettu vain yhdessä kantajien kanssa.
- + Käytä vain Joolzin hyväksymiä istuinosia, turvaistuimia, varaosia ja lisävarusteita.
- + Kun turvaistuinta käytetään yhdessä Joolz Hub -rungon kanssa, tämä ajoneuvo ei korvaa makuuosaa tai sänkyä. Jos lapsesi on nukkunut, hänet on asetettava Joolz Hub -rattaiden runkoon, makuosaan tai sänkyyn.

- + Älä käytä rattaita, jos jokin osista on vaurioitunut, repeytynyt tai puuttuu.
- + Käytä aina käänntöluukkoa etupyöriin, kun taitat rattaat kokoon. Tämän laiminlyönti voi johtaa renkaiden estymiseen, mikä voi aiheuttaa muodonmuutosta erityisesti kuumassa ympäristössä.
- + Jarrut on aina kytkettävä päälle, kun laitat lasta rattaisiin tai otat pois niistä.
- + Muiden kuin Joolzin toimittamia lisävarusteita ei saa käyttää.
- + Vain Joolzin toimittamia tai suosittelemia varaosia saa käyttää.
- + Tämä istuinosa on tarkoitettu lapsille 6 kuukauden iästä ylöspäin enintään 22 kg/48.5 lbs painoon saakka.
- + Vältä putoamisen tai liukumisen aiheuttama vakava vamma.
- + Pakettien, lisälaitteiden ja/tai liian painavien esineiden lisääminen voi aiheuttaa vaarallisen epävakaan olosuhteen.

KUNNOSSAPITO-/ PESUOHJEET

Pese kangas haalealla vedellä ja saippualla. Huuhtelee puhtaalla vedellä ja anna kuivua. Älä käytä valkaisuainetta tai muita kemiallisia puhdistusaineita. Käsittele määräjain (noin kerran kuukaudessa) pyörät ja metalliosat Teflon- tai silikonisuihkeella varmistaaksesi, että rattaasi toimivat edelleen moitteettomasti.



Hub -rattaiden alumiiniosat on anodisoitu ulkoisilta vaikutuksilta, kuten korroosiolta, suojaamiseksi. Anodisoidut alumiiniosat ovat herkkiä happamille puhdistusaineille tai rasvalle, jotka voivat värjätä tai haalistaa alumiiniosia. Siksi suosittelemme puhdistamaan rattaasi alumiiniosat lämpimällä vedellä ja pehmeällä liinalla.

TAKUU

Joolz tarjoaa elinikäisen takuun tuotteelle Joolz Hub. Takuu kattaa kaikki materiaali- ja valmistusviat, mutta ei tuotteen vaihtoa tai palautusta. Tuotteen elinikäisen takuun saamiseksi uudet Joolz-lastenrattaasi on rekisteröitävä sivustolla register.joolz.com kuuden kuukauden kuluessa ostohetkestä ja lisäksi on säilytettävä alkuperäinen ostotosite, josta ilmenee muun muassa ostopäivä. Jos et rekisteröi Joolz-lastenrattaitasi kuuden kuukauden kuluessa ostohetkestä, sinulle myönnetään kahden vuoden takuu.

Takuu on voimassa vain, jos toimitat seuraavat kohteet myyjälle yhdessä viallisen tuotteen kanssa:

- 1) Takuutodistuksesi
- 2) Jokin henkilötodistus
- 3) Kopio ostokuitista (sisältäen ostopäiväyksen)
- 4) Yksityiskohtainen kuvaus viasta.

Saat takuutodistuksen sen jälkeen, kun olet rekisteröinyt Joolz-lastenrattaasi verkkosivustollamme register.joolz.com.

Jos myyjäsi ei pysty auttamaan sinua valituksesi kanssa, ota yhteyttä Joolziin. Huomaa, että korjaukset eivät pidennä takuujaksoa.

TAKUU EI KATA SEURAAVIA:

- 1) Tavallisesta käytöstä ja kulumisesta aiheutuvat viat, kuten päivittäisessä käytössä kuluneet pyörät ja kankaat, naarmut alumiini- ja/tai metalliosissa sekä materiaalien luonnollinen haalistuminen ajan mittaan tai kunnossapito-ohjeiden laiminlyönnin vuoksi.
- 2) Pyörien vauriot, kuten reiät ja repeämät.
- 3) Onnettomuuksien, väärän käytön, laiminlyönnin, tulipalon, nestekontaktin tai muiden ulkoisten syiden aiheuttamat vauriot.
- 4) Käyttöohjeiden, ohjevideoiden tai muiden Joolz-ohjeistusten laiminlyönnistä aiheutuvat vauriot.
- 5) Muun tuotteen, lisävarusteet mukaan lukien, aiheuttama vaurio.
- 6) Epävirallisen Joolz-edustajan huollon tai korjausten aiheuttama vaurio.
- 7) Varkaus.
- 8) Ilmakuljetus- tai rahtivauriot.

Turvallisuus oli tärkeä osa-alue koko Joolz Hub -rattaiden ja -makuuosan kehittämisen ajan. Tuotteemme täyttävät siksi seuraavat turvastandardit:

Eurooppa:
EN 1888:2012 / EN 1466:2014/AC: 2015
Yhdysvallat: ASTM F833-15 / ASTM F2050-16
Kanada: SOR/2016-167
Australia: AS/NZS 2088:2013

Käy sivustolla joolz.com, facebook.com/myjoolz tai ota yhteyttä myyjäsi, jos sinulla kysyttävää ja/tai huomioitavaa.

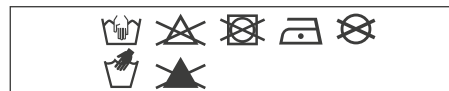
VIGTIGT: LÆS DISSE INSTRUKTIONER OMHYGGELIGT FØR BRUG, OG GEM DEM TIL FREMTIDIG REFERENCE.

⚠ ADVARSEL

- + Lad aldrig dit barn være uden opsyn.
- + Før brug skal du sørge for, at alle låseenheder er aktiveret.
- + For at undgå skader skal du sikre, at børn holdes på afstand, når dette produkt foldes ud og foldes sammen.
- + Børn må ikke lege med dette produkt.
- + Dette sæde er ikke egnet til børn under 6 måneder.
- + Brug altid selesystemet.
- + Kontroller før brug, at monteringsenheder til barneseng, sæde eller autosæde er korrekt aktiveret.
- + Dette produkt er ikke egnet til løb eller skøjteløb.
- + Joolz Hub-barnesengen og -sædet er kun kompatible med Joolz Hub-stellet og vice versa.
- + Anvend ikke ekstra madrasser.
- + Hvis der last monteret på siderne og/eller håndtaget på Joolz Hub-klapvognen, kan stabiliteten blive påvirket.
- + Joolz Hub-barnesengen eller -sædet er kun beregnet til ét barn.
- + Anvend kun sæder, autostole, reservedele og tilbehør, der er godkendt af Joolz.
- + En autostol kombineret med Joolz Hub-stellet fungerer ikke som en barneseng eller seng. Hvis barnet har brug for at sove, bør det placeres i en Joolz Hub-klapvogn, -barneseng eller -seng.
- + Anvend ikke klapvognen, hvis der er beskadigede, ødelagte eller manglende dele.
- + Brug altid forhjulenes drejelås, når klapvognen skal foldes sammen. Hvis man ikke gør dette, kan det medføre, at dækkene kan komme i klemme og blive deforme, særligt i varme miljøer.
- + Bremserne skal altid aktiveres, når barnet sættes i eller tages ud.
- + Tilbehør, der ikke er leveret af Joolz, bør ikke bruges.
- + Der bør kun bruges reservedele, der er leveret eller anbefalet af Joolz.
- + Dette sæde er beregnet til børn fra 6 måneder og op til en maksimal vægt på 22 kg/48.5 lbs.
- + Undgå at falde eller skride ud, da det kan medføre alvorlige skader
- + Det kan forårsage farlige og ustabile forhold, hvis man lægger op med pakker, ekstraudstyr og/eller for meget last.

VEDLIGEHOLDELSE/ VASKEINSTRUKTIONER

Rens stoffet med lunkent vand og sæbe. Skyl med rent vand og lad det tørre. Brug ikke blegemidler eller kemiske rengøringsmidler. Hjulene og metaldele skal regelmæssigt (cirka én gang om måneden) behandles med Teflon- eller silikonespray, så klapvognen bliver ved med at køre problemfrit.



Aluminiumsdelene på din Hub-klapvogn er anodiserede, så de beskyttes mod ekstern påvirkning, som f.eks. rust. Anodiserede aluminiumsdele er sårbare over for syreholdige rengøringsmidler eller fedt, hvilket kan forårsage pletter og misfarvning af aluminiumsdelene. Derfor anbefaler vi dig at rengøre klapvognens aluminiumsdele med varmt vand og en blød klud.

GARANTII

Joolz tilbyder livstidsgaranti på Joolz Hub. Garantien dækker alle materiale- og produktionsfejl, men ikke ombytning eller returnering af produktet. For at være berettiget til livstidsgaranti er alt, hvad du skal gøre, at registrere din Joolz-klapvogn på register.joolz.com senest seks måneder efter købet og opbevare dit originale købsbevis, inkl. købsdato. Hvis du ikke registrerer din Joolz-klapvogn senest seks måneder efter købet, får du en to-års-garanti.

Garantien er kun gyldig, hvis du leverer følgende emner til din forhandler sammen med det defekte produkt:

- 1) Dit garantibevis,
- 2) En eller anden form for personlig identifikation,
- 3) En kopi af kvitteringen (inkl. Købsdato),
- 4) En detaljeret beskrivelse af fejlen.

Du modtager garantibeviset, når du har registreret din Joolz-klapvogn på vores websted: register.joolz.com.

Hvis forhandleren ikke kan hjælpe med klagen, så kontakt Joolz. Bemærk venligst, at eventuelle reparationer ikke forlænger garantiperioden.

GARANTIEN DÆKKER IKKE:

- 1) Fejl forårsaget af almindelig slitage såsom slidte hjul og tekstiler ved daglig brug, ridser på aluminium og/eller metal samt naturlig misfarvning af materialer over tid eller ved manglende iagttagelse af vedligeholdelsesvejledningen.
- 2) Skader på hjul som f.eks. huller og rifter.
- 3) Skader forårsaget af ulykker, ukorrekt brug, forsømmelighed, brand, kontakt med væsker eller anden udefrakommende årsag.
- 4) Skader som følge af manglende iagttagelse af brugsanvisningen, instruktionsfilmen eller andre Joolz-retningslinjer.
- 5) Skader forårsaget af et andet produkt, inkl. tilbehørsdele.
- 6) Skader i forbindelse med service eller reparation forestået af ikke-autoriserede Joolz-repræsentanter
- 7) Tyveri.
- 8) Lufttransport- eller transportskader.

Sikkerheden var i højsædet ved udviklingen af Joolz Hub-klapvogn og -babylift. Vores produkter opfylder således følgende sikkerhedsstandarder:

Europa: EN 1888:2012 / EN 1466:2014/AC: 2015
 USA: ASTM F833-15 / ASTM F2050-16
 Canada: SOR/2016-167
 Australien: AS/NZS 2088:2013

Besøg joolz.com, facebook.com/myjoolz, eller kontakt din forhandler for eventuelle spørgsmål og/eller kommentarer.

ВАЖНО: ВНИМАТЕЛЬНО ПРОЧИТАЙТЕ ДАННУЮ ИНСТРУКЦИЮ ПЕРЕД ИСПОЛЬЗОВАНИЕМ ИЗДЕЛИЯ, И СОХРАНИТЕ ЕЕ ДЛЯ ДАЛЬНЕЙШЕГО ИСПОЛЬЗОВАНИЯ.

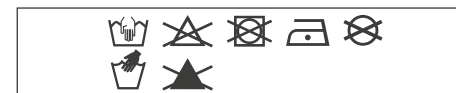
⚠ ПРЕДУПРЕЖДЕНИЕ

- + Никогда не оставляйте своего ребенка без присмотра.
- + Перед использованием убедитесь, что все блокировочные устройства задействованы.
- + Во избежание травм перед раскладыванием и складыванием данного изделия убедитесь, что ваш ребенок находится вдали.
- + Не позволяйте ребенку играть с данным изделием.
- + Данное сиденье не подходит для детей в возрасте до 6 месяцев.
- + Всегда используйте систему фиксации.
- + Перед использованием убедитесь, что крепежные приспособления люльки, сиденья или автокресла правильно закреплены.
- + Данное изделие не подходит для бега или катания на коньках.
- + Люлька и сиденье Joolz Hub совместимы только с шасси Joolz Hub и наоборот.
- + Не используйте никаких дополнительных матрасов.
- + Любой груз, прикрепленный к сторонам и / или рукоятке коляски Joolz Hub, может повлиять на ее стабильность.
- + Люлька и сиденье Joolz Hub рассчитаны только на одного ребенка.
- + Используйте только посадочные поверхности, автокресла, запасные части и принадлежности, одобренные компанией Joolz.
- + Для автокресел в сочетании с шасси Joolz Hub, это изделие не заменяет люльку или кроватку. В случае, если вашему ребенку необходимо поспать, его нужно переместить на посадочную поверхность, люльку или кроватку Joolz Hub.
- + Не используйте коляску, если какая-либо из частей повреждена, оторвана или отсутствует.
- + Складывая коляску, всегда применяйте поворотный замок для передних колес. Несоблюдение этого правила может привести к блокировке шин, что, в свою очередь, приведет к деформации, особенно в условиях жаркого климата.
- + Тормозной блок всегда должен быть задействован при складывании и вынимании ребенка.
- + Не используйте аксессуары, не предусмотренные Joolz.
- + Следует использовать только запасные части, поставляемые или рекомендованные Joolz.
- + Данное сиденье предназначено для детей в возрасте от 6 месяцев с максимальным весом до 22 кг.
- + поставляемые или рекомендованные Joolz.
- + Не допускайте серьезного травмирования ребенка вследствие падения или выскальзывания из коляски
- + поставляемые или рекомендованные Joolz.
- + Размещение пакетов, дополнительных принадлежностей и (или) других предметов с чрезмерным весом может привести к небезопасному, неустойчивому положению коляски.

ТКАНЬ НЕОБХОДИМО ОЧИЩАТЬ ТЕПЛОЙ ВОДОЙ С МЫЛОМ.

Ополосните чистой водой и оставьте до полного высыхания.

Никогда не используйте отбеливатель или другие химические моющие средства. Периодически (примерно раз в месяц) обрабатывайте колеса и металлические детали тефлоновой или силиконовой смазкой для обеспечения бесперебойной и продолжительной службы коляски.



Алюминиевые части коляски Hub анодированы, чтобы защитить ее от внешних воздействий, таких как коррозия. Анодированные алюминиевые части уязвимы к кислотным моющим средствам и смазкам, которые могут вызвать появление пятен и изменение цвета алюминиевых деталей. Поэтому мы рекомендуем очищать алюминиевые части коляски при помощи теплой воды и мягкой ткани.

ГАРАНТИЯ

Joolz предлагает бессрочную гарантию на коляски коллекции Joolz Hub. Гарантия распространяется на дефекты производства и материалов, а не на обмен или возврат изделия. Чтобы получить право на бессрочную гарантию, вам нужно всего лишь зарегистрировать свою коляску Joolz на сайте register.joolz.com в течение шести месяцев с момента покупки и сохранить подтверждение покупки с указанием ее даты. Если коляска Joolz не будет зарегистрирована в течение шести месяцев с момента покупки, вы получите двухгодичную гарантию.

Гарантия действительна, только если клиент предоставит поставщику вместе с неисправным изделием следующие документы:

- 1) Гарантийный сертификат,
- 2) Удостоверение личности,
- 3) Копию чека (с указанием даты покупки),
- 4) Подробное описание дефекта.

Вы получите гарантийный сертификат после того, как зарегистрируете свою коляску Joolz на нашем веб-сайте register.joolz.com.

Если продавец не может помочь вам в решении вашего вопроса, обратитесь в компанию Joolz. Учтите, что ремонт не является основанием для продления гарантийного срока.

ГАРАНТИЯ НЕ РАСПРОСТРАНЯЕТСЯ НА:

- 1) Дефекты, вызванные естественным износом, например стертые в ходе ежедневного использования колеса и потертую ткань, царапины на алюминии и (или) металле и естественное изменение цвета материалов с течением времени или в результате несоблюдения инструкций по техническому обслуживанию;
- 2) Повреждения, вызванные авариями, ненадлежащим использованием, халатностью, огнем, контактом с жидкостями или другой внешней причиной;
- 3) Повреждения, вызванные авариями, ненадлежащим использованием, халатностью, огнем, контактом с жидкостями или другой внешней причиной;
- 4) Повреждения в результате несоблюдения руководства по эксплуатации, обучающих видеороликов или других инструкций Joolz;
- 5) Повреждения, вызванные другим продуктом, в том числе принадлежностями;
- 6) Повреждения в результате сервисного обслуживания или ремонта у неофициального представителя Joolz;
- 7) Кражу;
- 8) Повреждения, полученные при перевозке.

воздушным или иным транспортом. Безопасность играет важную роль в процессе разработки коляски и люльки Joolz Hub. Наши продукты соответствуют следующим стандартам безопасности:

Европа: EN 1888:2012 / EN 1466:2014/AC: 2015
Соединенные Штаты: ASTM F833-15 / ASTM F2050-16
Канада: SOR/2016-167
Австралия: AS/NZS 2088:2013

Посетите my-joolz.com, facebook.com/myjoolz или обратитесь к продавцу, чтобы решить какой-либо вопрос и (или) поделиться своим мнением.

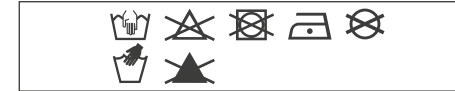
WAŻNE: ZAPOZNAJ SIĘ Z NINIEJSZĄ INSTRUKCJĄ I ZACHOWAJ JĄ W CELU UŻYCIA W PRZYSZŁOŚCI.

⚠️ OSTRZEŻENIE

- + Nigdy nie zostawiaj dziecka bez opieki.
- + Przed rozpoczęciem użytkowania sprawdź, czy wszystkie zamocowania zostały założone prawidłowo.
- + W celu uniknięcia obrażeń dziecko nie powinno znajdować w foteliku podczas jego składania i rozkładania.
- + Dziecko nie powinno bawić się fotelikiem.
- + Ten fotelik nie jest odpowiedni dla dzieci w wieku poniżej 6 miesięcy.
- + Zawsze należy używać systemu zabezpieczającego.
- + Przed użyciem sprawdzić, czy pasy mocujące gondolę, siedzisko lub fotelik samochodowy są odpowiednio zapięte.
- + Ten produkt nie jest odpowiedni do biegania ani do jazdy na rolkach.
- + Gondola i fotelik samochodowy Joolz Hub pasują jedynie do podstawy fotelika Joolz Hub i odwrotnie.
- + Nie wkładaj dodatkowego materaca.
- + Każde obciążenie zamocowane do boków i/lub uchwytu wózka spacerowego Joolz Hub może mieć wpływ na jego stabilność.
- + Gondola i fotelik Joolz Hub są przeznaczone dla jednego pasażera.
- + Należy stosować tylko dozwolone przez Joolz siedziska, fotele samochodowe, części zamienne i akcesoria.
- + Siedzisko samochodowe wraz z podwoziem Joolz Hub nie zastępuje gondoli lub łódeczka. Jeżeli dziecko chce spać, należy je włożyć do wózka spacerowego, gondoli lub łódeczka wyprodukowanego przez Joolz Hub.
- + Nie należy używać wózka spacerowego, jeżeli jakiegokolwiek jego części są uszkodzone, podarte lub zaginęły.
- + Składając wózek, należy zawsze zabezpieczać przednie koła blokadą obrotową. W przeciwnym razie opony kół mogą ulec odkształceniu, szczególnie w wysokich temperaturach.
- + Podczas wkładania dziecka do wózka lub wyciągania go należy zawsze zaciągnąć hamulce.
- + Nie należy stosować akcesoriów innych producentów.
- + Wolno stosować jedynie części zapasowe dostarczone lub zalecane przez firmę Joolz.
- + Ten fotelik jest przeznaczony dla dzieci w wieku od 6 miesięcy o wadze nieprzekraczającej 22 kg/48.5 lbs.
- + Należy zapobiegać poważnym urazom mogącym wystąpić w wyniku wypadnięcia lub wyślizgnięcia
- + Dokładanie paczek, akcesoriów i/lub nadmiernego ciężaru może powodować niebezpieczną niestabilność.

INSTRUKCJA KONSERWACJI/ CZYSZCZENIA

Czyścić materiał letnią wodą z mydłem. Przepłukać wodą i pozostawić do wyschnięcia. Nie wolno stosować wybielaczy ani innych chemicznych detergentów. Okresowo (w przybliżeniu raz na miesiąc) smarować koła i metalowe części teflonem lub silikonem w sprayu, by wózek poruszał się płynnie.



Aluminiowe części wózka spacerowego Hub są anodyzowane, co chroni je przed wpływem czynników zewnętrznych, np. korozją. Anodyzowane części są podatne na działanie kwasowych środków czyszczących lub smaru, które mogą spowodować plamy i odbarwienie aluminiowych części. Z tego względu zalecamy czyszczenie aluminiowych części wózka ciepłą wodą z mydłem i miękką szmatką.

GWARANCJA

Joolz udziela dożywotniej gwarancji na wózek Joolz Hub. Gwarancja obejmuje naprawę wad materiałowych i produkcyjnych, jednak produkt nie podlega wymianie ani zwrotowi. Aby skorzystać z dożywotniej gwarancji, wystarczy zarejestrować wózek spacerowy Joolz na stronie register.joolz.com w ciągu sześciu miesięcy od daty zakupu i zachować oryginalny dowód zakupu zawierający datę zakupu. Na wózki Joolz niezarejestrowane w ciągu sześciu miesięcy od daty zakupu udzielamy dwuletniej gwarancji.

Gwarancja jest ważna wyłącznie pod warunkiem przekazania sprzedawcy wraz z wadliwym produktem:

- 1) Świadectwa gwarancji,
- 2) Kopii dowolnego dokumentu tożsamości,
- 3) Kopii dowodu zakupu (zawierającego datę zakupu),
- 4) Szczegółowego opisu wady.

Świadectwo gwarancji otrzymuje się po zarejestrowaniu wózka Joolz na naszej stronie internetowej register.joolz.com.

Jeżeli sprzedawca nie udzieli pomocy przy reklamacji, należy skontaktować się z Joolz. Zwracamy uwagę, że jakiegokolwiek naprawy nie skutkują przedłużeniem okresu gwarancji.

GWARANCJA NIE OBEJMUJE:

- 1) Usterek spowodowanych zwykłym zużyciem, takim jak zużycie kół i tkanin wynikające z codziennego użytkowania, rys na elementach aluminiowych i/lub metalowych oraz naturalnych odbarwień materiałów spowodowanych upływem czasu lub nieprzestrzeganiem instrukcji konserwacji;
- 2) Uszkodzeń kół, takich jak dziury i rozdarcia;
- 3) Uszkodzeń spowodowanych przez wypadki, nieprawidłowe użytkowanie, zaniedbanie, ogień, kontakt z płynami lub inne czynniki zewnętrzne;
- 4) Uszkodzeń wynikających z niestosowania się do instrukcji obsługi, filmów instruktażowych lub innych wytycznych Joolz;
- 5) Uszkodzeń spowodowanych przez inny produkt, w tym akcesoria;
- 6) Uszkodzeń spowodowanych przez naprawę w nieautoryzowanym serwisie Joolz;
- 7) Kradzieży;
- 8) Transportu lotniczego lub uszkodzenia podczas transportu.

Bezpieczeństwo było ważnym czynnikiem brany pod uwagę w procesie projektowania i produkcji wózka spacerowego i gondoli Joolz Hub. Nasze produkty spełniają następujące normy jakości:

Europa: EN 1888:2012 / EN 1466:2014/AC: 2015
 Stany Zjednoczone: ASTM F833-15 / ASTM F2050-16
 Kanada: SOR/2016-167
 Australia: AS/NZS 2088:2013

W celu uzyskania odpowiedzi na pytania oraz przekazania uwag, odwiedź naszą stronę internetową joolz.com, facebook.com/myjoolz lub skontaktuj się ze sprzedawcą produktu.

ВАЖЛИВО: УВАЖНО ПРОЧИТАЙТЕ ЦЮ ІНСТРУКЦІЮ ПЕРЕД ПОЧАТКОМ КОРИСТУВАННЯ ВИРОБОМ ТА ЗБЕРЕЖІТЬ ЇЇ ДЛЯ ПОДАЛЬШОГО ВИКОРИСТАННЯ.

⚠ ПОПЕРЕДЖЕННЯ

- + Ніколи не залишайте свою дитину без нагляду.
- + Перед використанням переконайтеся, що всі блокувальні механізми задіяні.
- + Щоб запобігти травмам, перед розкладанням і складанням даного виробу переконайтеся, що ваша дитина знаходиться віддалік.
- + Не дозволяйте дитині грати з даним виробом.
- + Це сидіння не підходить для дітей у віці до 6 місяців.
- + Завжди використовуйте систему фіксації.
- + Перед використанням переконайтеся, що кріпильні пристосування люльки, сидіння або автокрісла правильно закріплені.
- + Цей виріб не підходить для бігу або катання на ковзанах.
- + Люлька і сидіння Joolz Hub сумісні тільки з шасі Joolz Hub і навпаки.
- + Не використовуйте ніяких додаткових матраців.
- + Будь-який вантаж, прикріплений до сторін та / або рукоятки коляски Joolz Hub може вплинути на її стабільність.
- + Люлька і сидіння Joolz Hub розраховані тільки на одну дитину.
- + Використовуйте тільки посадочні поверхні, автокрісла, запасні частини та аксесуари, схвалені компанією Joolz.
- + Для автокрісел в поєднанні з шасі Joolz Hub цей виріб не замінює люльку або ліжечко. У разі якщо вашій дитині необхідно поспати, її потрібно перемістити на посадочну поверхню, люльку або ліжечко Joolz Hub.
- + Не використовуйте коляску, якщо будь-яка з частин пошкоджена, відірвана або відсутня.
- + Під час складання коляски завжди застосовуйте поворотний замок для передніх коліс. Недотримання цього правила може призвести до блокування шин, що, в свою чергу, призведе до деформації, особливо в умовах жаркого клімату.
- + Гальмівний блок завжди повинен бути задіяний при вкладанні і вийманні дитини.
- + Не використовуйте аксесуари, не передбачені Joolz.
- + Слід використовувати запасні частини, що поставляються або рекомендовані Joolz.
- + Це сидіння призначене для дітей віком від 6 місяців з максимальною вагою до 22 кг.
- + Не допускайте серйозних травм, які виникають в наслідок випадання або вислизання дитини з коляски
- + Додавання речей, додаткових предметів (або) надмірна вага можуть викликати небезпечні нестабільні умови.

ІНСТРУКЦІЯ З ТЕХНІЧНОГО ОБСЛУГОВУВАННЯ / ЧИЩЕННЯ

Тканину необхідно очищати теплою водою з милом.

Ополіскуйте чистою водою і залишайте до повного висихання. Ніколи не використовуйте відбілювач або інші хімічні мийні засоби. Періодично (приблизно раз на місяць) обробляйте колеса і металеві деталі тефлоновою або силіконовою змазкою для забезпечення безперебійної та тривалої служби коляски.



Алюмінієві деталі коляски Hub анодовані, щоб захистити її від зовнішніх впливів, таких як корозія. Анодовані алюмінієві частини уразливі до кислотних мийних засобів і змачення, які можуть викликати появу плям і зміну кольору алюмінієвих деталей. Тому ми рекомендуємо очищати алюмінієві частини коляски за допомогою теплої води і м'якої тканини.

ГАРАНТІЯ

Компанія Joolz пропонує довічну гарантію на продукти Joolz Hub. Гарантія поширюється на всі матеріальні та виробничі дефекти, але не передбачає обмін або повернення продукту. Щоб отримати право на безстрокову гарантію, вам потрібно всього лише зареєструвати свій дитячий складаний візок Joolz на сайті register.joolz.com протягом шести місяців з моменту покупки і зберегти квитанцію, а що підтверджує покупку, із зазначенням її дати. Якщо ви не зареєструєте ваш дитячий складаний візок Joolz протягом шести місяців після покупки, ви отримаєте дворічну гарантію.

Ця гарантія дійсна лише у випадку, якщо ви надаєте продавцю наступні речі разом з дефектним продуктом:

- 1) Ваш гарантійний сертифікат;
- 2) Будь-який документ ідентифікації особи;
- 3) Копію квитанції про покупку (із зазначенням дати покупки);
- 4) Докладний опис дефекту.

Ви отримаєте гарантійний сертифікат після того, як зареєструєте ваш дитячий складаний візок Joolz на нашому веб-сайті register.joolz.com. Ви отримаєте цей сертифікат після того, як зареєструєте свій складаний дитячий візок Joolz на нашому веб-сайті.

Якщо роздрібний продавець не може задовольнити вашу претензію, зверніться в компанію Joolz. Зверніть увагу, що будь-який ремонт не продовжує гарантійний термін.

ГАРАНТІЯ НЕ ПОШИРЮЄТЬСЯ НА:

- 1) Дефекти, викликані природним зносом, наприклад, стиранням коліс і тканини в ході щоденного використання, подряпини на алюмінієвих та (або) металевих поверхнях, а також природне знебарвлення матеріалів з плином часу або в результаті недотримання інструкцій з технічного обслуговування.
- 2) Пошкодження коліс, такі як дірки і розриви.
- 3) Пошкодження, викликані аваріями, неналежним використанням, недбалістю, вогнем, контактом з рідинами або іншою зовнішньою причиною.
- 4) Пошкодження в результаті недотримання керівництва із експлуатації, навчальних відеороликів або інших інструкцій Joolz.
- 5) Пошкодження, викликані іншим продуктом, в тому числі аксесуарами.
- 6) Пошкодження в результаті сервісного обслуговування або ремонту у неофіційного представника Joolz.
- 7) Крадіжку.
- 8) Пошкодження, отримані під час перевезення повітряним або іншим транспортом.

Безпека була важливим аспектом під час розробки дитячого складаного візка та дитячої люльки Joolz Hub. Тому наші продукти відповідають таким стандартам безпеки:

Європа: EN 1888:2012 / EN 1466:2014/AC: 2015
Сполучені Штати: ASTM F833-15 / ASTM F2050-16
Канада: SOR/2016-167
Австралія: AS/NZS 2088:2013

У випадку будь-яких питань та (або) коментарів відвідайте веб-сайт joolz.com, facebook.com/myjoolz або зв'яжіться з продавцем.

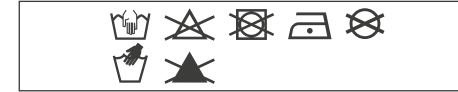
TÄHTIS! ENNE KASUTAMIST LUGEGE NEED SUUNISED HOOLIKALT LÄBI JA HOIDKE EDASPIDI KASUTAMISEKS ALLES.

⚠ HOIATUS!

- + Ärge jätke oma last kunagi järelevalveta.
- + Veenduge enne kasutamist, et kõik lukustusvahendid oleksid rakendatud.
- + Vigastuste vältimiseks veenduge, et lapsed oleksid toote reguleerimisel, lahtitõmbamisel ja kokkupanekul eemal.
- + Ärge lubage lastel selle tootega mängida.
- + See iste ei sobi lastele vanuses alla 6 kuu.
- + Kasutage alati kinnitussüsteemi.
- + Kontrollige enne kasutamist, kas kookoni, istme või turvatooli kinnitusseadmed on korralikult kinnitatud.
- + See toode ei sobi jooksmiseks ega rulluisutamiseks.
- + Joolz Hub kookonid ja istmed ühilduvad ainult Joolz Hub raamiga ja vastupidi.
- + Ärge kasutage lisamadratsit.
- + Igasugune Joolz Hub jalutuskäru külgedele ja/või sangale asetatud raskus võib mõjutada selle stabiilsust.
- + Joolz Hub kookonisse või istmele tohib panna ainult ühe lapse.
- + Kasutage ainult Joolzi heakskiiduga istmeid, turvatoole, varuosi ja tarvikuid.
- + Joolz Hub raamiga kasutatav turvatool ei asenda kookonit ega korvi. Magamise ajaks tuleb laps panna kindlasti Joolz Hub jalutuskäru raamil olevasse kookonisse või korvi.
- + Ärge kasutage jalutuskäru, kui mõni selle osa on kahjustunud, liigselt kulunud või puudu.
- + Jalutuskäru kokkupanekul rakendage alati esirataste pööramislukk. Muidu võite tekitada rehvidele takistuse, mis põhjustab nende deformeerumist, eriti sooja keskkonnas.
- + Lapse kärusse asetamisel ja sealt väljavõtmisel peavad pidurid olema alati rakendatud.
- + Muude tootjate kui Joolzi tarvikuid ei tohi kasutada.
- + Kasutada tuleb ainult Joolzi tarnitud või soovitatud varuosi.
- + See iste on mõeldud alates 6 kuu vanustele ja kuni 22 kg/48.5 lbs kaaluvatele lastele.
- + Vältige välja kukkumisest või välja libisemisest tingitud raskeid vigastusi
- + Pakkide, lisatarvikute ja/või liigse raskuse lisamisel võib tekkida ohtlikult ebastabiilne olukord.

HOOLDUS-/PESEMISSUUNISED

Peske katteriit leige vee ja seebiga. Loputage puhta veega ja jätke kuivama. Ärge kasutage kunagi pleegiteid ega muid keemilisi puhastusvahendeid. Pihustage ratastele ja metallosadele regulaarselt (umbes kord kuus) teflon- või silikoonpihust, et tagada jalutuskäru sujuv liikumine.



Teie Hub jalutuskäru alumiiniumosad on anodeeritud, et kaitsta neid väliste mõjude eest, näiteks korrosioon. Happelised puhastusvahendid või määrdeid võivad anodeeritud alumiiniumosi kahjustada, põhjustades neile plekkide teket ja värvimuutust. Seetõttu soovitame puhastada jalutuskäru alumiiniumosi sooja vee ja pehme lapiga.

GARANTII

Joolz annab Joolz Hub toodetele eluaegse garantii. Garantii alla kuuluvad kõik materjali- ja tootmisvead, kuid garantii alla ei kuulu toote vahetamine ega tagastamine. Eluaegse garantii saamiseks registreerige Joolzist ostetud käru kuue kuu jooksul alates ostukuupäevast veebilehel register.joolz.com ja hoidke alles ostu tõendav originaaldokument, millel on ostukuupäev. Kui te ei registreeri Joolzist ostetud käru kuue kuu jooksul alates ostukuupäevast, tagatakse teie tootele kaheaastane garantii.

Garantii kehtib ainult juhul, kui annate edasimüüjale koos defektse tootega järgmised dokumendid:

- 1) Garantiiitõend;
- 2) Isikut tõendav dokument;
- 3) Ostu tõendava dokumendi koopia (millel on ostukuupäev);
- 4) Defekti detailne kirjeldus.

Kui olete Joolzi käru registreerinud meie veebilehel register.joolz.com, edastatakse teile garantiiitõend.

Kui edasimüüja ei saa teid kaebuse juures aidata, võtke ühendust Joolziga. Pidage meeles, et toote parandamine ei pikenda garantiiperioodi.

GARANTII EI KATA:

- 1) tavapärasest kulumisest tulenevaid defekte, näiteks igapäevase kasutamise tagajärjel kulunud rattad ja kangad, alumiiniumil ja/või metallil olevad kriimustused, materjalide loomulik pleekimine aja jooksul või hooldusjuhiste eiramine;
- 2) rataste kahjustused, nt augud ja rebendid;
- 3) kahjustused, mis on tingitud õnnetustest, valesti kasutamisest, hooletusest, tulest, kokkupuutest vedelikega või mõnest muust välisest põhjusest;
- 4) kahjustus, mis tuleneb juhendi nõuete, õppevideotes näidatud või muude Joolzi juhiste eiramisest;
- 5) mõne muu toote (k.a tarvikute) põhjustatud kahjustus;
- 6) Joolzi volitamata esindaja põhjustatud kahjustus toote hooldamisel või parandamisel;
- 7) vargus;
- 8) kahjustus õhustranspordil või vedamise ajal.

Joolz Hub käru ja võrevoodi väljatõotamisel oli kogu protsessi keskseks ja tähtsaimaks teguriks ohutus. Seetõttu vastavad meie tooted allolevatele standarditele:

Euroopa:
EN 1888:2012 / EN 1466:2014/AC: 2015
Ameerika Ühendriigid:
ASTM F833-15 / ASTM F2050-16
Kanada: SOR/2016-167
Austraalia: AS/NZS 2088:2013

Küsimuste ja/või märkuste korral külastage veebilehti joolz.com, facebook.com/myjoolz või võtke ühendust edasimüüjaga.

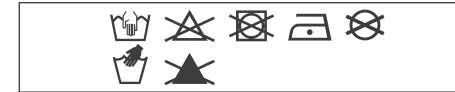
SVARĪGI! PIRMS IERĪCES LIETOŠANAS RŪPĪGI IZLASIET ŠĪS INSTRUKCIJAS UN SAGLABĀJIET TĀS TURPMĀKAI UZZIŅAI.

⚠ BRĪDINĀJUMS

- + Nekad neatstājiet bērnu bez uzraudzības.
- + Pirms lietošanas pārliecinieties, vai visas fiksācijas ierīces ir saslēgtas.
- + Lai izvairītos no traumām, nodrošiniet, lai šī izstrādājuma regulēšanas, atlocīšanas un salocīšanas laikā bērns neatrastos tā tuvumā.
- + Neļaujiet bērnam spēlēties ar šo izstrādājumu.
- + Šis sēdekļa bloks nav piemērots bērniem, kas jaunāki par 6 mēnešiem.
- + Vienmēr izmantojiet ierobežotājsistēmu.
- + Pirms lietošanas pārbaudiet, vai gultiņas, sēdekļa vai bērnu autosēdekļa bloka stiprinājuma ierīces ir pareizi saslēgtas.
- + Šis izstrādājums nav piemērots skriešanai vai slidošanai.
- + Joolz Hub gultiņa un sēdekļa bloki ir saderīgi tikai ar Joolz Hub korpusu un otrādi.
- + Neizmantojiet papildu matraci.
- + Jebkura Joolz Hub bērnu ratiņu sānos un/vai pie roktura piestiprināta krava var ietekmēt to stabilitāti.
- + Joolz Hub gultiņā vai sēdekļa blokā var pārvadāt tikai vienu pasažieri.
- + Izmantojiet tikai Joolz apstiprinātus sēdekļus, bērnu autosēdekļus, rezerves daļas un piederumus.
- + Bērnu autosēdekļi, ko izmanto kopā ar Joolz Hub šasiju, neaizstāj gultiņu vai gultu. Ja bērnam ir laiks gulēt, guldiēt viņu Joolz Hub ratiņos, gultiņā vai gultā.
- + Neizmantojiet bērnu ratiņus, ja kāda to daļa ir bojāta, saplīsusi vai pazudusi.
- + Salokot bērnu ratiņus, priekšējiem riteņiem vienmēr izmantojiet pagriežamo bloķētāju. Pretējā gadījumā var notikt riepu nosprostošanās, kas savukārt izraisa deformāciju, it īpaši karstā vidē.
- + Ieliecot un izņemot bērnu, bremzēm vienmēr jābūt ieslēgtām.
- + Neizmantojiet piederumus, kurus nav nodrošinājis Joolz.
- + Izmantojiet tikai Joolz nodrošinātās vai ieteiktās rezerves daļas.
- + Šis sēdekļi ir paredzēti bērniem, sākot no 6 mēnešu vecuma, ar svaru līdz 22 kg/48.5 lbs.
- + Izvairieties no nopietnām traumām, ko izraisa kritiens vai izslīdēšana
- + Pievienojot saiņus, piederumus un/vai pārmērīgu svaru, var izraisīt bīstamu nestabilitāti.

INSTRUKCIJAS PAR APKOPI/MAZGĀŠANU

Audumu tīriet ar remdenu ūdeni un ziepēm. Noskalojiet ar ūdeni un atstājiet nožūt. Nekad nelietojiet balinātāju vai citus ķīmiskus mazgāšanas līdzekļus. Riteņus un metāla daļas regulāri (apmēram reizi mēnesī) notīriet ar teflona vai silikona aerosolu, lai bērnu ratiņi pastāvīgi darbotos nevainojami.



Hub bērnu ratiņi ir anodēti aizsardzībai pret ārēju ietekmi, piemēram, koroziju. Anodētās alumīnija daļas ir jutīgas pret skābu tīrīšanas līdzekļu vai smērvielu iedarbību, kas var veidot traipus uz alumīnija daļām un izraisīt to krāsas maiņu. Tāpēc bērnu ratiņu alumīnija daļas ieteicams tīrīt ar siltu ūdeni un mikstu drānu.

GARANTĪJA

Joolz piedāvā Joolz Hub mūža garantiju. Garantija aptver visus materiālos un ražošanas defektus, bet ne izstrādājuma apmaiņu vai atgriešanu. Lai iegūtu tiesības uz mūža garantiju, atliek tikai reģistrēt savus Joolz bērnu ratiņus vietnē register.joolz.com sešu mēnešu laikā kopš iegādes un saglabāt oriģinālo pirkuma apliecinājumu, kas iekļauj pirkuma datumu. Ja Joolz bērnu ratiņus neesat reģistrējis sešu mēnešu laikā kopš iegādes, saņemsiet divu gadu garantiju.

Garantija ir spēkā tikai tad, ja kopā ar bojāto izstrādājumu tiek iesniegts:

- 1) Jūsu garantijas sertifikāts,
- 2) Jebkāda veida personas identifikācijas dokuments,
- 2) Pirkuma čeka kopija (iekļaujot pirkuma datumu),
- 3) Defekta detalizēts apraksts.

Jūs saņemsiet garantijas sertifikātu pēc savu Joolz bērnu ratiņu reģistrēšanas mūsu tīmekļa vietnē register.joolz.com.

Ja mazumtirgotājs jūsu pretenzijas gadījumā nevar palīdzēt, sazinieties ar Joolz. Lūdzu, ņemiet vērā, ka neviens remonts nepārsniedz garantijas periodu.

GARANTĪJA NEATTIECAS UZ:

- 1) Parasta nolietojuma un nodiluma izraisītiem defektiem, piemēram, ikdienas lietošanā nodilušiem riteņiem un audumu, skrāpējumiem uz alumīnija un/vai metāla materiāla dabisko krāsas maiņu laika gaitā, vai defektiem, kas radušies apkopes instrukciju neievērošanas rezultātā.
- 2) Riteņu bojājumiem, piemēram, caurumiem un plīsumiem.
- 3) Bojājumiem, ko izraisījuši negadījumi, nepareiza izmantošana, nevērība, degšana, saskare ar šķidrumiem vai cits ārējs cēlonis.
- 4) Bojājumiem, ko izraisījuši lietošanas pamācībā, instrukciju video vai citās Joolz vadlīnijās ietverti norādījumi neievērošana.
- 5) Cita produkta, tostarp piederumu, izraisīti bojājumi.
- 6) Joolz neoficiāla pārstāvja veiktas apkopes vai remonta izraisīti bojājumi.
- 7) Zādzība.
- 8) Gaisa transporta vai kravu pārvadājumu izraisīti bojājumi.

Drošība ir svarīgs apsvērums visā Joolz Hub bērnu ratiņu un gultiņu izstrādes laikā. Tāpēc mūsu produktu izstrādē ir ievēroti augstākie drošības standarti:

Eiropas standarti:

EN 1888:2012 / EN 1466:2014/AC: 2015

Amerikas Savienoto Valstu standarti:

ASTM F833-15 / ASTM F2050-16

Kanādas standarti: SOR/2016-167

Austrālijas standarti: AS/NZS 2088:2013

Ja jums ir jautājumi un/vai komentāri, lūdzu, apmeklējiet vietni joolz.com, facebook.com/myjoolz vai sazinieties ar mazumtirgotāju.

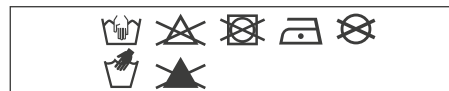
SVARBU: PRIEŠ NAUDODAMI PRODUKTĄ ATIDŽIAI PERSKAITYKITE ŠIAS INSTRUKCIJAS IR IŠSAUGOKITE JAS ATEIČIAI.

⚠️ ĮSPĖJIMAS

- + niekada nepalikite vaiko be priežiūros.
- + prieš pradėdami naudoti įsitikinkite, kad užfiksuoti visi fiksavimo prietaisai.
- + kad išvengtumėte sužalojimo, įsitikinkite, kad kai reguliuojate, sulankstote arba išlankstote produktą, vaikas yra atokiau.
- + neleiskite vaikui žaisti su produktu.
- + ši kėdutė netinka jaunesniems negu + 6 mėnesių vaikams.
- + visada naudokite tvirtinimo sistemą.
- + prieš pradėdami naudoti patikrinkite, ar lopšys, kėdutė arba automobilinės kėdutės priedai tinkamai užfiksuoti.
- + šis produktas netinka bėgiojant arba čiuožinėjant.
- + „Joolz Hub“ lopšys ir kėdutė suderinami tik su „Joolz Hub“ važiuokle ir atvirksčiais.
- + nenaudokite papildomo čiuožinio.
- + bet kokia apkrova, pritvirtinta prie „Joolz Hub“ šonų ir (arba) rankenos gali turėti poveikį jo stabilumui.
- + tiek „Joolz Hub“ lopšys, tiek kėdutė gali atlaikyti tik vieną kelevį.
- + naudokite tik „Joolz“ patvirtintas korpuso kėdutes, automobilines kėdutes, pakaitines dalis ir priedus.
- + kai automobilinės kėdutės naudojamos su „Joolz Hub“ važiuokle, jos nepakeičia lopšio arba lovelės. Jei vaikui reikia pamiegoti, jis turėtų būti paguldytas į „Joolz Hub“ vežimėlį, lopšį arba lovelę.
- + nenaudokite vežimėlio, jei pažeistos, suplėšytos arba trūksta dalių.
- + kai lankstote vežimėlį, visada priekiniams ratukams naudokite pasukamąjį užraktą. Jei to nepadarysite, gali būti pažeistos padangos, kurios gali deformuotis, ypač esant aukštai temperatūrai.
- + stabdžiai visada turėtų būti nuspausti, kai vaikas įdedamas arba išimamas.
- + neturėtų būti naudojami priedai, kuriuos tiekia ne „Joolz“.
- + turėtų būti naudojamos tik „Joolz“ tiekiamos arba rekomenduojamos atsarginės dalys.
- + ši kėdutė skirta vaikams nuo 6 mėnesių amžiaus, kurių svoris neviršija 22 kg/48.5 lbs.
- + Saugokitės, kad nenukristumėte arba nenuslystumėte ir nesusižalotumėte.
- + Uždangalai, priedai ir (arba) papildomas svoris gali sukelti pavojingas situacijas, kai prarandamas vežimėlio stabilumas.

PRIEŽIŪROS / PLOVIMO INSTRUKCIJOS

Audinį valykite drungnu vandeniu ir muilu. Išskalaukite švari vandeniu ir palikite išdžiūti. Niekada nenaudokite baliklio arba kitų cheminių ploviklių. Periodiškai (maždaug kartą per mėnesį) išpurškite ratukus ir metalines dalis teflono arba silicio purškalu, kad vežimėlis toliau riedėtų tolygiai.



Jūsų „Hub“ vežimėlio dalys anoduotos, todėl apsaugotos nuo išorės poveikio, pavyzdžiui, korozijos. Anoduotos aliuminio dalys pažeidžiamos rūgštiniais valikliais arba tepalais, kurie gali palikti dėmių arba pakeisti aliuminio dalių spalvą. Todėl patariame vežimėlio aliuminio dalis valyti šiltu vandeniu ir minkšta šluoste.

GARANTIJA

„Joolz“ suteikia „Joolz Hub“ garantiją visam gyvenimui. Garantija taikoma visiems medžiagos ir gamybos brokams, bet ne produkto grąžinimui arba keitimui. Norėdami gauti šią garantiją, turite tiesiog priregistruoti savo „Joolz“ vežimėlį register.joolz.com per šešis mėnesius nuo įsigijimo bei išsaugoti originalų įsigijimo įrodymą su įsigijimo data. Jei nepriregistruosite „Joolz“ vežimėlio per šešis mėnesius nuo įsigijimo, vežimėliui bus taikoma dvejų metų garantija.

Garantija galioja tik tuo atveju, jei pardavėjui kartu su brokuotu produktu pateikiate toliau nurodytus dokumentus:

- 1) Savo garantijos pažymėjimą,
- 2) Bet kokį asmens tapatybės nustatymo dokumentą,
- 3) Pirkimo čekio kopiją (su nurodyta pirkimo data),
- 4) Išsamų broko aprašymą.

Garantijos pažymėjimą gausite, kai priregistruosite savo „Joolz“ vežimėlį mūsų svetainėje register.joolz.com.

Jei pardavėjas negali padėti dėl skundo, susisiekite su „Joolz“. Atkreipkite dėmesį, kad taisymo darbai nepratęsia garantijos laikotarpio.

GARANTIJA NETAIKOMA:

- 1) Defektams, kuriuos sukėlė įprastas nusidėvėjimas dėl kasdienio naudojimo, pavyzdžiui, nusidėvėjusiems ratukams ir audiniams, įbrėžimams ant aliuminio ir (arba) metalinių detalių bei medžiagų spalvos pasikeitimui dėl ilgalaikio naudojimo arba dėl naudojimo ne pagal nurodymus;
- 2) Ratukų pažeidimams, pavyzdžiui, jei jie praduriami arba suplyšta;
- 3) Pažeidimams, kuriuos lėmė nelaimingi atsitikimai, netinkamas naudojimas, aplaidumas, gaisras, kontaktas su skysčiais arba kita išorinė priežastis;
- 4) Pažeidimams, kuriuos lėmė naudotojo vadovo, nurodytų veiksmų arba kitų „joolz“ gairių nesilaikymas;
- 5) Pažeidimams, kuriuos sukėlė kitas produktas, įskaitant priedus;
- 6) Pažeidimams, kurie buvo sukelti ne įgalotojo „joolz“ atstovo vykdytuoju techninę priežiūrą arba remonto darbus;
- 7) Vagystei;
- 8) Pažeidimams, kuriuos sukėlė gabenimas oro arba sausumos transportu.

Kuriant „Joolz Hub“ vežimėlį ir lopšį buvo itin atsižvelgiama į saugumą. Todėl mūsų produktai atitinka tolesnius saugos standartus:

Europos:
EN 1888:2012 / EN 1466:2014/AC: 2015
Jungtinių Amerikos Valstijų:
ASTM F833-15 / ASTM F2050-16
Kanados: SOR/2016-167
Australijos: AS/NZS 2088:2013

Aplankykite joolz.com, facebook.com/myjoolz arba susisiekite su pardavėju, jei turite klausimų ir (arba) komentarų.

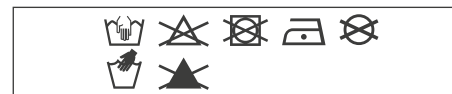
POMEMBNO: PRED UPORABO SKRBNO PREBERITE NAVODILA IN JIH SHRANITE ZA NADALJNJO UPORABO.

⚠ OPOZORILO

- + Malčka nikoli ne puščajte samega, brez nadzora.
- + Pred uporabo se prepričajte, da so vsa varovala zataknjena.
- + Da bi se izognili poškodbam, malčka med prilagajanjem, raztegovanjem in zlaganjem vozička vedno umaknite proč od izdelka.
- + Ne dovolite malčku, da bi se igral z vozičkom.
- + Sedežna enota ni primerna za malčke, mlajše od 6 mesecev.
- + Vedno uporabite sistem varnostnih pasov.
- + Pred uporabo se prepričajte, da so elementi za pritrditev košare, sedeža ali otroškega avto sedeža pravilno zatakneni.
- + Izdelka ne uporabljajte med tekom ali rolanjem.
- + Košara in sedežne enote Joolz Hub so združljive le z okvirjem vozička Joolz Hub in obratno.
- + Ne uporabljajte dodatnih vzmetnic.
- + Vsaka obremenitev stranic in/ali ročaja vozička Joolz Hub lahko vpliva na njegovo stabilnost.
- + V košari ali sedežnih enotah vozička Joolz Hub lahko prevažate le enega malčka.
- + Uporabljajte le sedežne enote, otroške avto sedeže, nadomestne dele in dodatke, ki jih je odobril proizvajalec Joolz.
- + Otroški avto sedeži, v kombinaciji z okvirjem vozička Joolz Hub, ne morejo nadomestiti otroške posteljice ali postelje. Če vaš malček potrebuje spanje, ga položite v košaro vozička Joolz Hub, otroško posteljico ali posteljo.
- + Vozička ne uporabljajte, če je katerikoli del poškodovan, strgan ali če manjka.
- + Pri zlaganju vozička vedno uporabite blokada sprednjih, vrtljivih koles. Če tega ne storite, lahko pride do blokade koles in posledično do deformacij, še posebej v vročem okolju.
- + Ko nameščate malčka v voziček oziroma, ko ga dvigujete iz njega, vedno zategnite zavoro.
- + Ne uporabljajte dodatkov, ki jih ni zagotovil proizvajalec Joolz.
- + Uporabljajte le nadomestne dele, ki jih je dobavil ali priporočil proizvajalec Joolz.
- + Sedež je namenjen malčkom, starejšim od 6 mesecev in težkim maksimalno 22 kg/48.5 lbs.
- + Preprečite resne poškodbe, ki bi lahko nastale zaradi padca ali zdrsa iz izdelka
- + Z dodajanjem paketov, dodatnih elementov ali prekomerne teže lahko povzročite nevarne nestabilne razmere.

NAPOTKI ZA VZDRŽEVANJE/ ČIŠČENJE

Tekstilne dele očistite s toplo milnico. Splaknite jih s čisto vodo in dobro posušite. Ne uporabljajte belil ali drugih kemičnih detergentov. Občasno (približno enkrat mesečno) kolesa in kovinske dele napršite s teflonskim ali silikonskim pršilom, da bo voziček gladko tekkel.



Aluminijasti deli vozička Hub so eloksirani, da so zaščiteni pred zunanjimi vplivi, kot je na primer korozija. Elokirani aluminijasti deli so občutljivi na jedka čistila ali mazila, ki lahko pustijo madeže in razbarvajo aluminijaste dele. Svetujemo vam, da aluminijaste dele vozička očistite s toplo vodo in mehko krpo.

GARANCIJA

Joolz ponuja doživiljenjsko garancijo za izdelke Joolz Hub. Garancija zajema vse stvarne in proizvodne napake, ne pa zamenjavo ali vračilo izdelka. Vse kar morate storiti, če želite biti upravičeni do doživiljenjske garancije, je registrirati vaš voziček Joolz na register.joolz.com v roku šestih mesecev od nakupa in obdržati originalno dokazilo o nakupu, vključno z datumom nakupa. Če svojega vozička Joolz ne boste registrirali v šestih mesecih po nakupu, boste upravičeni do dvoletne garancije.

Garancija velja le v primeru, če skupaj z okvarjenim izdelkom dostavite prodajalcu tudi naslednje elemente:

- 1) Certifikat o garanciji,
- 2) Katero koli osebni dokument,
- 3) Kopijo potrdila o nakupu (vključno z datumom nakupa),
- 4) Podroben opis napake.

Potrdilo o garanciji boste prejeli po registraciji svojega vozička Joolz na naši spletni strani register.joolz.com.

Če vam pri vaši pritožbi ne more pomagati prodajalec, se obrnite na podjetje Joolz. Upoštevajte, da kakršna koli popravila ne podaljšajo garancijskega obdobja.

GARANCIJA NE KRIJE:

- 1) Napak, ki nastanejo pri običajni obrabi, npr. kolesa in tkanine, ki se obrabijo zaradi vsakodnevne uporabe, praske na aluminiju in/ali kovini ter naravno razbarvanje materialov, do česar pride sčasoma ali zaradi neupoštevanja navodil za vzdrževanje.
- 2) Poškodb koles, kot so npr. predrta oz. počena kolesa.
- 3) Poškodb, ki nastanejo zaradi nesreč, nepravilne uporabe, malomarnosti, ognja, stika s tekočinami ali drugega zunanega vzroka.
- 4) Poškodb, ki nastanejo zaradi neupoštevanja navodil za uporabo, videoposnetkov z navodili ali drugih smernic podjetja Joolz.
- 5) Poškodb, ki nastanejo zaradi drugega izdelka, vključno z dodatno opremo.
- 6) Poškodb, ki nastanejo med servisiranjem ali izvajanjem popravila, ki ga opravi nepooblaščen predstavnik podjetja Joolz.
- 7) Kraje.
- 8) Poškodb, ki nastanejo med zračnim prevozom ali transportom blaga.

Med razvojem vozička in prenosne posteljice Joolz Hub nam je bila varnost zelo pomembna. Naši izdelki zato izpolnjujejo naslednje varnostne standarde:

Evropa: EN 1888:2012/EN 1466:2014/AC: 2015
 ZDA: ASTM F833-15/ASTM F2050-16
 Kanada: SOR/2016-167
 Avstralija: AS/NZS 2088:2013

Obiščite spletno stran joolz.com, facebook.com/myjoolz ali se v primeru kakršnih koli vprašanj ali komentarjev obrnite na lokalnega prodajalca.

VAŽNO: PAŽLJIVO PROČITAJTE OVE UPUTE PRIJE UPOTREBE I SAČUVAJTE IH ZA UBUDUĆE.

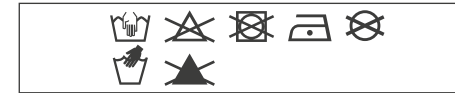
⚠ PAŽNJA

- + Nikada ne ostavljajte dijete bez nadzora.
- + Prije upotrebe provjerite jesu li svi uređaji za pričvršćivanje ispravno postavljeni.
- + Da biste izbjegli ozljede, pobrinite se da dijete nije u blizini dok rasklapate i sklappate ovaj proizvod.
- + Ne dopustite djetetu da se igra s ovim proizvodom.
- + Ova sjedalica nije prikladna za djecu mlađu od 6 mjeseci.
- + Uvijek koristite sustav pojaseva.
- + Prije upotrebe provjerite jesu li nosiljka, sjedalica ili dodatni uređaji za automobilsku sjedalicu ispravno postavljeni.
- + Ovaj proizvod nije namijenjen trčanju ili klizanju.
- + Košara i sjedalica Joolz Hub kompatibilne su samo s okvirom Joolz Hub i obrnuto.
- + Ne upotrebljavajte dodatni madrac.
- + Svaki teret koji pričvrstite na bočnu stranu i/ili ručku kolica Joolz Hub može utjecati na njihovu stabilnost.
- + Nosiljka ili sjedalica Joolz Hub namijenjene su samo za jednog putnika.
- + Koristite samo sjedalice, automobilske sjedalice, zamjenske dijelove i opremu koju je odobrio Joolz.
- + Za automobilske sjedalice povezane sa šasijom Joolz Hub, to vozilo ne zamjenjuje kolijevku ili krevet. Ako vaše dijete treba spavati, stavite ga u Joolz Hub okvir kolica, kolijevku ili krevet.

- + Ne koristite kolica ako su dijelovi oštećeni, razbijeni ili nedostaju.
- + Uvijek spustite kočnicu na prednjim kotačima prilikom sklapanja kolica. Ako to ne učinite, može doći do oštećenja i deformacije guma, posebno u toplom okruženju.
- + Uvijek trebate pritisnuti kočnicu kad stavljate dijete u kolica ili ga vadite iz njih.
- + Nemojte koristiti opremu koju nije odobrila tvrtka Joolz.
- + Koristite samo rezervne dijelove koje je dostavio ili preporučio Joolz.
- + Sjedalica je namijenjena djeci starijoj od 6 mjeseci, maksimalne težine do 22 kg/48.5 lbs.
- + Izbjegnite ozbiljne ozljede uzrokovane padom ili ispadanjem
- + Dodavanje paketa, dodatne opreme i/ili prekomjerne težine može uzrokovati nestabilne uvjete.

ODRŽAVANJE / UPUTE ZA PRANJE

Operite tkaninu toplom vodom iz slavine i sapunom. Isperite vodom i ostavite da se suši. Nikada ne koristite izbjeljivač i druga kemijska sredstva za čišćenje. Povremeno (otprilike jednom mjesečno) podmažite kola i metalne dijelove teflonom ili silikonskim sprejem kako biste osigurali neometano funkcioniranje kolica.



Aluminijski dijelovi kolica Hub anodizirani su radi zaštite od vanjskih utjecaja, kao što je korozija. Anodizirani aluminijski dijelovi osjetljivi su na sredstva za čišćenje s kiselinom ili mast koja može uzrokovati mrlje i uništavanje boje na aluminijskim dijelovima. Stoga vam preporučujemo da aluminijske dijelove kolica čistite toplom vodom i mekanom tkaninom.

JAMSTVO

Joolz nudi doživotno jamstvo na kolica Joolz Hub. Jamstvo pokriva sve materijalne i proizvođačke kvarove, ali ne i zamjenu ili povrat proizvoda. Da bi dječja kolica marke Joolz ispunjavala uvjete za doživotno jamstvo, trebate ih samo registrirati na adresi register.joolz.com u roku od šest mjeseci nakon kupnje i zadržati izvorni dokaz kupnje na kojem je vidljiv datum kupnje. Ako ne registrirate dječja kolica marke Joolz u roku od šest mjeseci od datuma kupnje, dobit ćete dvogodišnje jamstvo.

Jamstvo je važeće samo ako u trgovinu dostavite neispravan proizvod i sljedeće:

- 1) Jamstvenu karticu,
- 2) Osobni identifikacijski dokument,
- 3) Kopiju potvrde o kupnji (uključujući datum kupnje),
- 4) Detaljni opis kvara.

Potvrdu o jamstvu ćete dobiti kada registrirate svoja dječja kolica marke Joolz na našoj mrežnoj stranici register.joolz.com.

Ako vam u trgovini ne mogu pomoći s pritužbom, obratite se Joolzu. Valja napomenuti da popravci ne produljuju razdoblje jamstva.

NAŠE JAMSTVO NE POKRIVA SLJEDEĆE:

- 1) Neispravnosti uzrokovane uobičajenim trošenjem i habanjem, na primjer kotače i tkanine istrošene svakodnevnom upotrebom, ogrebotine na aluminiju i/ili metalu i prirodnu promjenu boje materijala prouzročenu vremenom ili nepridržavanjem uputa o održavanju.
- 2) Oštećenja kotača kao što su rupe i ogrebotine.
- 3) Oštećenja uzrokovana nesrećama, neispravnom upotrebom, nemarom, požarom, kontaktom s tekućinama ili drugim vanjskim uzročnikom.
- 4) Oštećenja uzrokovana neusklađenosti s korisničkim priručnikom, videozapisima s uputama ili drugim Joolzovim smjernicama.
- 5) Oštećenja uzrokovana drugim proizvodom, uključujući dodatnu opremu.
- 6) Oštećenja uzrokovana uslugom ili popravkom koji je izvršio neslužbeni predstavnik tvrtke Joolz.
- 7) Krađa.
- 8) Oštećenja uzrokovana zračnim prijenosom/prijevozom.

Tijekom razvoja kolica i nosiljke Joolz Hub, sigurnost je bila među najvažnijim stvarima. Stoga naši proizvodi ispunjavaju sljedeće sigurnosne norme:

Europa:
EN 1888:2012 / EN 1466:2014/AC: 2015
Sjedinjene Američke Države:
ASTM F833-15 / ASTM F2050-16
Kanada: SOR/2016-167
Australija: AS/NZS 2088:2013

Ako imate pitanja i/ili primjedbi, posjetite joolz.com, facebook.com/myjoolz ili se obratite prodajnom predstavniku.

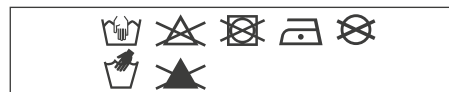
DŮLEŽITÉ: PŘED POUŽITÍM SI TYTO POKYNY POZORNĚ PROČTĚTE A USCHOVEJTE JE, ABYSTE DO NICH MOHLI POZDĚJI NAHLÍŽET.

⚠ VAROVÁNÍ

- + Nikdy své dítě nenechávejte bez dozoru.
- + Před použitím zkontrolujte, zda jsou všechny zámky zajištěny.
- + Aby nedošlo ke zranění, musí být tento výrobek při rozkládání a skládání mimo dosah dítěte.
- + Nenechávejte dítě, aby si s výrobkem hrálo.
- + Tato sedačka není vhodná pro děti mladší 6 měsíců.
- + Vždy používejte zádržný systém.
- + Před použitím korbey, sedačky nebo autosedačky zkontrolujte, zda jsou správně zajištěny jejich upevňovací prvky.
- + Tento výrobek není vhodný pro běhání nebo bruslení.
- + Korbu a sedačku Joolz Hub lze používat výhradně s podvozkem Joolz Hub a naopak.
- + Nepoužívejte přídavnou matraci.
- + Předměty připevněné na boky, případně rukojeť kočárku Joolz Hub mohou narušit jeho stabilitu.
- + Korba či sedačka Joolz Hub je určena pouze pro jedno dítě.
- + Používejte pouze sedačky, autosedačky, náhradní díly a příslušenství schválené společností Joolz.
- + Pro autosedačky kombinované s podvozkem Joolz Hub: toto vozítko nelze použít jako korbu či postýlku. Potřebuje-li dítě spát, umístěte je do kočárku, korbey či postýlky Joolz Hub.
- + Nepoužívejte kočárek, pokud některé jeho součásti chybějí, jsou poškozené či utržené.
- + Při skládání kočárku vždy použijte zámek otočného čepu na předním kolečku. Pokud tak neučiníte, může dojít k obstrukci pneumatik, což vede k deformacím, a to zejména v horkém prostředí.
- + Při ukládání a vyjímání dítěte musí být brzdy vždy zajištěné.
- + Používejte výhradně příslušenství dodávané společností Joolz.
- + Používejte pouze náhradní díly dodávané nebo doporučené společností Joolz.
- + Tato sedačka je určena pro děti od 6 měsíců až do maximální hmotnosti 22 kg/48.5 lbs.
- + Dejte pozor na riziko vážného poranění v důsledku pádu nebo sklouznutí
- + Přidávání předmětů, doplňků a/nebo jakékoli další zátěže může vést ke vzniku rizikových nestabilních situací.

POKYNY PRO ÚDRŽBU/ČIŠTĚNÍ

Látku čistěte vlažnou vodou a mýdlem. Opláchněte čistou vodou a nechte uschnout. Nepoužívejte bělidlo ani jiné chemické prostředky. Pravidelně (přibližně jednou za měsíc) ošetřujte kola a kovové součásti teflonovým nebo silikonovým sprejem, aby byla zajištěna správná funkce kočárku.



Hliníkové části kočárku Hub jsou ošetřeny eloxováním – jsou tak chráněny před vnějšími vlivy, například korozi. Eloxované hliníkové součásti jsou citlivé na kyselé čisticí či mazací prostředky, které na nich mohou zanechat skvrny nebo způsobit změny barvy. Proto doporučujeme čistit hliníkové části kočárku jemným hadříkem a teplou vodou.

ZÁRUKA

Společnost Joolz nabízí celoživotní záruku v rámci Joolz Hub. Záruka se vztahuje na veškerý materiál a na výrobní vady, nikoliv však na výměnu nebo vrácení výrobku. Chcete-li získat nárok na doživotní záruku, stačí jen zaregistrovat svůj kočárek Joolz na adrese register.joolz.com do šesti měsíců od zakoupení a uchovat originální doklad o zakoupení s datem nákupu. Pokud neprovedete registraci svého kočárku Joolz do šesti měsíců od zakoupení, získáváte dvouletou záruku.

Záruka je platná pouze tehdy, pokud s vadným výrobkem doručíte svému prodejci následující:

- 1) Záruční list,
- 2) Jakákoli forma osobní identifikace,
- 3) Kopie dokladu o nákupu (s datem nákupu),
- 4) Podrobný popis závady.

Certifikát k záruce obdržíte po registraci kočárku Joolz na našem webu register.joolz.com.

Pokud vám váš prodejce nemůže pomoci při vyřizování vaší reklamace, obraťte se na zástupce společnosti Joolz. Vezměte prosím na vědomí, že při případných opravách se dvouletá záruční doba neprodlužuje.

ZÁRUKA SE NEVZTAHUJE NA NÁSLEDUJÍCÍ PŘÍPADY:

- 1) Defekty způsobené běžným opotřebením (například ojetá kola či opotřebovaná látka po každodenním používání, škrábance na hliníkových nebo kovových částech a přirozená ztráta barevnosti materiálů v průběhu času nebo v důsledku nedodržení pokynů k údržbě).
- 2) Poškození kol (díry a trhliny).
- 3) Škody způsobené nehodami, nesprávným užíváním, nedodržováním předpisů, ohněm, kontaktem s tekutinami nebo jinou externí příčinou.
- 4) Škody způsobené nedodržováním pokynů v uživatelské příručce, instruktážních filmech nebo jiných předpisech Joolz.
- 5) Škody způsobené jinými výrobky, včetně příslušenství.
- 6) Škody způsobené servisem nebo opravami, které nejsou provedeny oficiálním zástupcem Joolz.
- 7) Krádeže.
- 8) Poškození při letecké přepravě.

Při vývoji kočárku a korbey Joolz Hub byla věnována mimořádná pozornost bezpečnosti. Naše výrobky jsou v plném souladu s následujícími bezpečnostními normami:

Evropa: EN 1888:2012 / EN 1466:2014/AC: 2015
 USA: ASTM F833-15 / ASTM F2050-16
 Kanada: SOR/2016-167
 Austrálie: AS/NZS 2088:2013

Máte-li nějaké otázky či připomínky, navštivte web joolz.com, facebook.com/myjoolz nebo se obraťte na svého prodejce.

ВАЖНО: МОЛЯ, ВНИМАТЕЛНО ПРОЧЕТЕТЕ НАСТОЯЩИТЕ ИНСТРУКЦИИ ПРЕДИ УПОТРЕБА И ГИ ЗАПАЗЕТЕ ЗА ЦЕЛИТЕ НА БЪДЕЩИ СПРАВКИ.

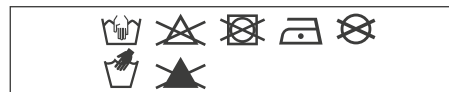
⚠ ПРЕДУПРЕЖДЕНИЕ

- + Никога не оставяйте детето си без надзор.
- + Преди употреба се уверете, че всички заключващи устройства са активирани.
- + За да избегнете наранявания, се уверете, че детето Ви не е заплашено от движещите се части при разгъване и сгъване на продукта.
- + Не позволявайте на детето да си играе с продукта.
- + Седалката не е подходяща за използване при деца, които са на възраст под 6 месеца.
- + Винаги използвайте ограничителните колани.
- + Преди употреба се уверете, че устройствата за закрепяне на кошарите, седалките или седалките за коли са задействани правилно.
- + Този продукт не е подходящ при тичане или каране на кѐнки.
- + Кошарите и седалките Joolz Hub са съвместими само с шаси Joolz Hub и обратното.
- + Не използвайте допълнителни дюшечета.
- + Евентуалните товари по страните и/или кормилото на количката Joolz Hub може да засегнат стабилността ѝ.
- + Кошарите или седалките Joolz Hub могат да се ползват от само един пасажер.
- + Използвайте само седалки, резервни части и аксесоари, които са одобрени от Joolz.
- + Това устройство не служи като заместител за кошара или легло при седалките за коли съвместно с шаси Joolz Hub. Ако искате да сложите детето си да спи, тогава трябва да го поставите в кошарата или легло на количката Joolz Hub.
- + Не използвайте количката, ако има повредени или липсващи части.
- + Винаги активирайте осевото заключване на предните колела, когато сгъвате количката. В противен случай може да се стигне до притискане на колелцата, което ще ги деформира, особено при високи температури.
- + Спирачките винаги трябва да са активирани, когато слагате или вадите детето в/от количката.
- + Не трябва да използвате аксесоари, които не са произведени от Joolz.
- + Не позволявайте падане или плъзгане встрани, защото това може да причини сериозни наранявания
- + Не поставяйте вътре багаж, принадлежности и/или допълнителни тежести, защото това може да дебалансира продукта и да създаде опасни условия.

ИНСТРУКЦИИ ЗА ПОЧИСТВАНЕ/ ПОДДРЪЖКА

Почистете тъканта с топла вода и сапун. Изплакнете с чешмяна вода и оставете да изсъхне. Никога не използвайте белина или други химически препарати.

Периодично (приблизително веднъж месечно) нанасяйте тефлон или силиконов спрей по колелата, за да гарантирате плавния ход на количката.



Алуминиевите части на количката Hub са анодизирани с цел защита срещу определени външни влияния, например корозирание. Анодизираните алуминиеви части са уязвими към киселинни почистващи препарати или смазка, които може да доведат до появата на петна или обезцветяването им. Поради тази причина Ви съветваме да почиствате алуминиевите части на количката с топла вода и мек парцал.

ГАРАНЦИЯ

Joolz предлага гаранция за целия период на експлоатация за Joolz Hub. Гаранцията покрива всички материални и производствени дефекти, но не и смяна или връщане на продукта. За да можете да се възползвате от гаранцията за целия период на експлоатация, трябва само да регистрирате своята количка Joolz на register.joolz.com в срок от шест месеца след покупката и да запазите оригиналните доказващи покупката документи с включена дата на закупуване. Ако не регистрирате Вашата количка Joolz в срок от шест месеца след покупката, ще получите двугодишна гаранция.

Гаранцията е валидна само ако заедно с дефектния продукт представите на продавача и следните документи:

- 1) Сертификата ви за гаранция,
- 2) Документ за удостоверяване на самоличността,
- 3) Копие на разписката за покупката (с включена дата на закупуване),
- 4) Подробно описание на дефекта.

Ще получите сертификата за гаранция, след като регистрирате Вашата количка Joolz на уеб сайта ни register.joolz.com.

Ако търговецът не може да Ви помогне по отношение на оплакването, се свържете с Joolz. Имайте предвид, че евентуалните ремонти не удължават гаранционния период.

ГАРАНЦИЯТА НЕ ПОКРИВА:

- 1) Дефекти, причинени от нормално износване и скъсване, като например износени от ежедневна употреба колела и тъкани, драскотини по алуминиевите и/или металните части и естествено обезцветяване на материалите във времето или поради неспазване на инструкциите за поддръжка.
- 2) Повреда на колелата, като например дупки и скъсвания.
- 3) Повреда, причинена от инциденти, неправилна употреба, огън, контакт с течности или друго външно влияние.
- 4) Повреда в резултат от несъблюдаването на ръководството за експлоатация, филмите с инструкции или други указания.
- 5) Повреда, причинена от друг продукт, включително аксесоари.
- 6) Повреда от сервизни работи или ремонти, извършени от неофициален представител на Joolz.
- 7) Кражба.
- 8) Транспортиране по въздух или повреда на товара.

По време на разработването на количката и кошчето Joolz Hub обърнахме специално внимание на безопасността. Така нашите продукти отговарят на следните стандарти за безопасност:

За Европа: EN 1888:2012 / EN 1466:2014/AC: 2015
 За САЩ: ASTM F833-15 / ASTM F2050-16
 За Канада: SOR/2016-167
 За Австралия: AS/NZS 2088:2013

Ако имате някакви въпроси и/или забележки, посетете joolz.com, facebook.com/myjoolz или се свържете с Вашия търговец.

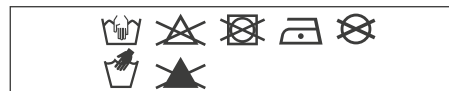
IMPORTANT: VĂ RUGĂM SĂ CITIȚI ACESTE INSTRUCȚIUNI CU ATENȚIE ÎNAINTE DE UTILIZARE ȘI SĂ LE PĂSTRAȚI PENTRU CONSULTARE ULTERIOARĂ.

⚠️ AVERTISMENT

- + Nu vă lăsați copilul nesupravegheat.
- + Asigurați-vă că toate dispozitivele de blocare sunt cuplate înainte de utilizare.
- + Pentru a evita vătămarile corporale, asigurați-vă că copilul dvs. se află la distanță în momentul deplierii, plierii și ajustării acestui produs.
- + Nu lăsați copilul să se joace cu acest produs.
- + Această unitate de scaun nu este adecvată pentru copiii sub 6 luni.
- + Utilizați întotdeauna sistemul de fixare.
- + Verificați dacă, înainte de utilizare, dispozitivele de atașare a landoului, scaunului sau scaunului auto sunt corect cuplate.
- + Acest produs nu este adecvat pentru alergare sau patinaj.
- + Landourile și unitățile de scaun Joolz Hub sunt disponibile doar cu cadrul Joolz Hub și viceversa.
- + Nu utilizați o saltea suplimentară.
- + Orice încărcătură atașată în lateral și/sau pe ghidonul căruciorului Joolz Hub îi poate afecta stabilitatea.
- + Landoul sau unitățile de scaun Joolz Hub pot să transporte fiecare doar un pasager.
- + Utilizați doar scaune corporale, scaune auto, piese de schimb și accesorii care sunt aprobate de Joolz.
- + Pentru scaunele auto împreună cu cadrul Joolz Hub, acest vehicul nu înlocuiește un landou sau un pătuț. În cazul în care copilul dvs. trebuie să doarmă, atunci acesta trebuie așezat în cadrul pătuțului, landoului sau căruciorului Joolz Hub.
- + Nu utilizați căruciorul dacă vreuna dintre piese este deteriorată, uzată sau lipsește.
- + Aplicați întotdeauna blocarea rotirii pe roțile din față când depliați căruciorul. Nerespectarea acestei recomandări poate avea drept rezultat obstrucționarea pneurilor, ducând la deformare, în special într-un mediu cald.
- + Frânele trebuie acționate întotdeauna în momentul așezării și ridicării copiilor.
- + Accesoriile nefurnizate de Joolz nu trebuie utilizate.
- + Trebuie utilizate doar piesele furnizate sau recomandate de Joolz.
- + Acest scaun este destinat copiilor de la 6 luni și celor cu o greutate maximă de până la 22 kg/48.5 lbs.
- + Evitați rănile grave provocate prin cădere sau alunecare
- + Adăugarea de colete, articole cu accesorii și/sau adăugarea unei greutăți excesive poate duce la crearea unor condiții instabile periculoase.

ÎNȚREȚINEREA / INSTRUCȚIUNI DE SPĂLARE

Curățați șesătura cu apă caldă și săpun. Clătiți cu apă proaspătă și lăsați la uscat. Nu utilizați niciodată înălbitor sau alți detergenți chimici. Tratați periodic (aproximativ o dată pe lună) roțile și piesele metalice cu Teflon sau spray cu silicon pentru a asigura rularea lină a căruciorului.



Piese de aluminiu ale căruciorului Hub sunt eloxate pentru a-l proteja de influențele externe precum coroziunea. Piese de aluminiu eloxate sunt vulnerabile la agenți de curățare acizi sau la unsoare, care pot cauza pete sau decolorarea pieselor din aluminiu. Prin urmare, vă sfătuim să curățați piesele de aluminiu ale căruciorului dvs. cu apă caldă și o cârpă moale.

GARANȚIE

Joolz oferă o garanție pe viață în Joolz Hub. Garanția acoperă toate defectele materiale și de fabricație, dar nu și schimbul sau returnarea produsului. Pentru a beneficia de garanția pe viață, tot ce trebuie să faceți este să vă înregistrați căruciorul dvs. Joolz pe register.joolz.com în termen de șase luni de la achiziționare și să păstrați dovada inițială a achiziționării, inclusiv data achiziționării. Dacă nu vă înregistrați căruciorul dvs. Joolz în termen de șase luni de la achiziționare, veți primi o garanție de doi ani.

Garanția este valabilă doar dacă furnizați următoarele elemente retailerului dvs. împreună cu produsul defect:

- 1) Certificatul de garanție,
- 2) Orice formă de identificare personală,
- 3) O copie a chitanței de cumpărare (care include o dată de cumpărare),
- 4) O descriere detaliată a defectului.

Veți primi certificatul de garanție după ce ați înregistrat căruciorul dvs. Joolz pe site-ul nostru register.joolz.com.

Dacă retailerul dvs. nu vă poate asista cu reclamația dvs., contactați Joolz. Rețineți că reparațiile nu prelungesc perioada de garanție.

GARANȚIA NU ACOPERĂ:

- 1) Defecte cauzate de uzura obișnuită, precum roțile uzate și materiale uzate prin utilizarea zilnică, zgârieturi pe aluminiu și/sau pe metal și decolorarea naturală a materialelor în timp sau nerespectarea instrucțiunilor de întreținere.
- 2) Deteriorări ale roților, precum orificiile și lacrimile.
- 3) Deteriorări cauzate de accidente, utilizare necorespunzătoare, neglijență, incendiu, contact cu lichide sau alte cauze.
- 4) Deteriorări rezultate din nerespectarea manualului de instrucțiuni, a filmelor de instrucțiuni sau a altor recomandări Joolz.
- 5) Deteriorări cauzate de un alt produs, inclusiv accesorii.
- 6) Deteriorări din service sau din reparații efectuate de către un reprezentant neoficial al Joolz.
- 7) Furt.
- 8) Deteriorări cauzate de transportul aerian sau de mărfuri.

Siguranța a fost un factor important pe parcursul dezvoltării căruciorului și a landoului Joolz Hub. Așadar, produsele noastre respectă următoarele standarde de siguranță:

Europa: EN 1888:2012 / EN 1466:2014/AC: 2015
 Statele Unite: ASTM F833-15 / ASTM F2050-16
 Canada: SOR/2016-167
 Australia: AS/NZS 2088:2013

Vizitați joolz.com, facebook.com/myjoolz sau contactați retailerul dvs. pentru orice întrebări și/sau comentarii.

VAŽNO: PAŽLJIVO PROČITAJTE OVO UPUTSTVO PRE KORIŠĆENJA I SAČUVAJTE GA ZA KASNIJE.

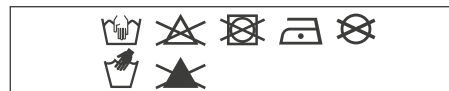
⚠ UPOZORENJE

- + Nikada nemojte ostavljati dete bez nadzora.
- + Uverite se da su svi uređaji za zaključavanje u funkciji pre korišćenja.
- + Da biste izbegli povredu uverite se da se dete nalazi dalje od ovog proizvoda prilikom njegovog prilagođavanja, rasklapanja i sklapanja.
- + Nemojte dozvoliti detetu da se igra ovim proizvodom.
- + Ova jedinica sedišta nije pogodna za decu mlađu od 6 meseci.
- + Uvek koristite bezbednosni sistem.
- + Uverite se da su dodaci jedinica kolevke, sedišta ili sedišta za automobil pravilno pričvršćeni pre korišćenja.
- + Ovaj proizvod nije pogodan za trčanje ili vožnju poput rolšua/skejtboarda.
- + Joolz Hub jedinice kolevki i sedišta kompatibilne su samo sa Joolz Hub konstrukcijom i obrnuto.
- + Nemojte koristiti dodatni madrac.
- + Bilo koji teret pričvršćen za bočne strane i/ili dršku Joolz Hub kolica može da utiče na njihovu stabilnost.
- + Joolz Hub jedinice kolevke ili sedišta mogu da nose samo po jednog putnika.
- + Koristite samo sedišta za kolica, sedišta za automobil, rezervne delove i dodatnu opremu koju je odobrila kompanija Joolz.
- + Za sedišta za automobile zajedno sa Joolz Hub konstrukcijom, ovo vozilo ne zamenjuje kolevku ili krevet. Ako vaše dete treba da spava potrebno je da ga smestite u Joolz Hub kolica, kolevku(e) ili krevet(e).
- + Nemojte koristiti kolica ako je bilo koji deo oštećen, pohaban ili nedostaje.
- + Uvek primenite sistem za blokadu okretanja na prednjim točkovima kada sklapate kolica. Ako to ne uradite, može doći do opstrukcije pneumatika što dovodi do njihove deformacije, naročito u vrućem okruženju.
- + Kočnice uvek treba da budu u funkciji kada smeštate i vadite decu.
- + Ne treba koristiti dodatnu opremu koju ne obezbeđuje kompanija Joolz.
- + Treba koristiti samo rezervne delove koje isporučuje ili preporučuje kompanija Joolz.
- + Ovo sedište je namenjeno za decu stariju od 6 meseci, do maksimalne težine od 22 kg/48.5 lbs.
- + Izbegnite teške povrede izazvane padom ili iskliznućem
- + Dodavanje tereta, ukrasnih predmeta i/ili stvari veće težine može da dovede do nebezbednih i nestabilnih uslova.

UPUTSTVO ZA ODRŽAVANJE/ PRANJE

Očistite tkaninu mlakom vodom i sapunom. Isperite svežom vodom i ostavite da se osuši. Nikada nemojte koristiti izbeljivač ili druge hemijske deterdžente.

Periodično (otprilike jednom mesečno) tretirajte točkove i metalne delove Teflon ili silikonskim sprejem da biste obezbedili neometano kretanje kolica.



Aluminijumski delovi Hub kolica su anodizirani da bi se kolica zaštitila od uticaja kao što je rđa. Anodizirani aluminijumski delovi su osetljivi na kisela sredstva za čišćenje ili mast, što može da izazove mrlje i promenu boje aluminijumskih delova. Stoga preporučujemo da aluminijumske delove kolica čistite toplom vodom i mekom krpom.

GARANCIJA

Joolz nudi doživotnu garanciju za kolica Joolz Hub. Garancija pokriva sve nedostatke materijala i nedostatke u izradi, ali ne i zamenu ili vraćanje proizvoda. Da biste dobili doživotnu garanciju, sve što treba da uradite jeste da registrujete svoja dečja kolica Joolz na register.joolz.com u roku od šest meseci od kupovine i sačuvate svoj originalni račun na kojem se vidi datum kupovine. Ako svoja kolica Joolz ne registrujete u roku od šest meseci od kupovine, dobićete dvogodišnju garanciju.

Garancija važi samo ako dostavite sledeće stavke trgovcu u maloprodaji zajedno sa neispravnim proizvodom:

- 1) Vašu potvrdu o garanciji,
- 2) Bilo koji lični dokument,
- 3) Kopiju računa (na kojem se vidi datum kupovine),
- 4) Detaljan opis nedostatka.

Potvrdu o garanciji ćete dobiti nakon što registrujete svoja Joolz kolica na našoj veb stranici register.joolz.com.

Ako trgovac u maloprodaji ne može da vam pomogne oko reklamacije, obratite se kompaniji Joolz. Imajte na umu da eventualne popravke ne pružavaju garantni rok.

GARANCIJA NE POKRIVA:

- 1) Neispravnosti izazvane uobičajenim habanjem, poput istrošenih točkova i tkanine usled svakodnevnog korišćenja, ogrebotina na aluminijumskim i/ili metalnim delovima, kao i promena boje materijala uzrokovane protokom vremena ili nepridržavanjem uputstava o održavanju.
- 2) Oštećenja točkova poput rupa i pukotina.
- 3) Oštećenja uzrokovana nezgodama, nepravilnom upotrebom, neparom, požarom, kontaktom sa tečnostima ili drugim spoljnim uzrocima.
- 4) Oštećenja nastala usled nepridržavanja priručnika za upotrebu, kratkih filmova sa uputstvima i drugih smernica kompanije Joolz;
- 5) Oštećenja uzrokovana drugim proizvodom, uključujući dodatnu opremu.
- 6) Oštećenja nastala servisiranjem ili popravkom od strane osobe koja nije ovlašćeni predstavnik kompanije Joolz.
- 7) Krađu.
- 8) Oštećenja nastala tokom avionskog i teretnog prevoza.

Prilikom razvoja Joolz Hub kolica i krevca, bezbednost je bila važna stavka. Naši proizvodi stoga ispunjavaju sledeće bezbednosne standarde:

Evropa: EN 1888:2012 / EN 1466:2014/AC: 2015
Sjedinjene Američke Države: ASTM F833-15 / ASTM F2050-16
Kanada: SOR/2016-167
Australija: AS/NZS 2088:2013

Posetite joolz.com, facebook.com/myjoolz ili se obratite maloprodaji za sva pitanja i/ili komentare.

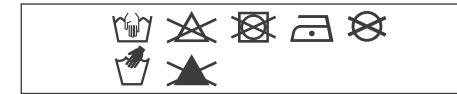
FONTOS: HASZNÁLAT ELŐTT KÉRJÜK, OLVASSA EL AZ ALÁBBI UTASÍTÁSOKAT, ÉS A TOVÁBBI HASZNÁLAT ÉRDEKÉBEN ŐRIZZE MEG.

⚠ FIGYELMEZTETÉS

- + Soha ne hagyja a gyermekét felügyelet nélkül.
- + Használat előtt ellenőrizze, hogy a rögzítő eszközöket alkalmazta-e.
- + A sérülések elkerülése érdekében vigyázzon gyermeke épségére a termék összecusakásakor, kinyitásakor és beállításakor.
- + Ne engedje, hogy gyermeke játsszon a termékkel.
- + Ez az ülőrész nem használható 6 hónapnál fiatalabb gyermekeknél.
- + Mindig használja a rögzítő rendszert.
- + Használat előtt ellenőrizze, hogy a mőzeskosarat, az ülőrészt vagy az autósülést rögzítő eszközöket megfelelően biztosította-e.
- + Ez a termék nem alkalmas futáshoz vagy görkorcsolyázáshoz.
- + A Joolz Hub mőzeskosár és ülőrész csak Joolz Hub vázzal kompatibilis és fordítva.
- + Ne használjon további matracokat.
- + Az oldalakra és/vagy a Joolz Hub tolókarjára helyezett bármilyen plusz súly befolyásolhatja a babakocsi stabilitását.
- + A Joolz Hub mőzeskosár vagy az ülőrész-egységek csak egy gyermek szállítására szolgálnak.
- + Csak a Joolz által jóváhagyott ülőrészeket, autós üléseket, cserealkatrészeket és tartozékokat használjon.
- + A Joolz Hub vázzal együtt használt autós ülés nem helyettesíti a mőzeskosarat vagy az ágyat. Amikor a gyermekének aludnia kell, akkor tegye a Joolz Hub babakocsiba, mőzeskosárba vagy az ágyába.
- + Ne használja a babakocsit, ha bármelyik alkatrésze sérült, szakadt vagy hiányos.
- + Minden esetben rögzítse az első kerekek forgatását gátló féket, amikor összehajtja a babakocsit. Ennek elmulasztása esetén a gumibroncsok beszorulhatnak és eldeformálódnak, főleg meleg környezetben.
- + A fékeket mindig használni kell, amikor a gyermeket behelyezi a babakocsiba, vagy kiveszi onnan.
- + Ne használjon a Joolz által nem jóváhagyott tartozékokat.
- + Csak a Joolz által biztosított vagy ajánlott cserealkatrészeket használjon.
- + Ez az ülőrész 6 hónapnál idősebb, de 22 kg/48.5 lbs-nál könnyebb gyermekekhez használható.
- + Előzze meg a súlyos, a kiesésből vagy kicsúszásból származó baleseteket.
- + Csomag, tartozékok felhelyezése és/vagy más módon a súly növelése veszélyes, instabil állapotot okozhat.

KARBANTARTÁSRA / MOSÁSRA VONATKOZÓ UTASÍTÁSOK

A huzatot langyos, szappanos vízzel tisztítsa. Friss vízzel öblítse át, és hagyja megszáradni. Soha ne használjon öblítőt vagy egyéb vegyszereket. Rendszeresen (nagyjából havonta egyszer) a kerekeket és a fém alkatrészeket kezelje teflon- vagy szilikon spray-vel, így biztosítva a babakocsi egyenletes gördülését.



A Hub babakocsi alumínium alkatrészei galvanizáltak, ami megvédi a külső hatásoktól, például a rozsdától. A galvanizált alumínium alkatrészek érzékenyek a savas tisztítószerre vagy kenőzsírokra. Ezek foltot hagyhatnak vagy az alumínium alkatrészek elszíneződését okozhatják. Ezért azt ajánljuk, hogy a babakocsi alumínium alkatrészeit langyos vízzel és puha törülközővel tisztítsa.

GARANCIA

A Joolz élethosszig tartó garanciát biztosít a Joolz Hub termékre. A garancia az anyaghibákra és gyártási hibákra terjed ki, de nem tartalmazza a termék cseréjét vagy visszaküldését. Az élethosszig tartó garancia érvényesítéséhez nem kell mást tennie, mint a vásárlástól számított hat hónapon belül regisztrálnia Joolz típusú babakocsiját a register.joolz.com weboldalon és megtartani a vásárláskor kapott eredeti bizonylatot, amelyen a dátum is szerepel. Amennyiben a vásárlást követő hat hónapon belül nem regisztrálja Joolz babakocsiját, akkor Ön kétéves garanciára lesz jogosult.

A garancia akkor érvényes, ha a hibás termékkel együtt az alábbi tételeket is átadja a kereskedőnek:

- 1) A garancialevelet,
- 2) A személyazonosságot igazoló bármilyen okmányt,
- 3) A vásárlást igazoló nyugta másolatát (amely tartalmazza a vásárlás dátumát),
- 4) A hiba részletes leírását.

A garancialevelet azután kapja meg, miután regisztrálta a register.joolz.com weboldalunkon a megvásárolt Joolz babakocsit.

Ha a kereskedő nem tudja megoldani a panaszát, vegye fel a kapcsolatot a Joolz vállalattal. Kérjük, vegye figyelembe, hogy a javítások nem hosszabbítják meg a garanciális időszakot.

A GARANCIA NEM FEDEZI A KÖVETKEZŐKET:

- 1) Az általános elhasználódás során keletkező hibákat, például a kerekek mindennapos használat miatti kopását, az alumínium és/vagy fém részek karcolódását és az anyagok természetes vagy a kézikönyvnek nem megfelelő használat okozta elszíneződését.
- 2) A kerekeken keletkezett lyukakat és az elhasználódás nyomait.
- 3) Baleset miatti, helytelen használatból, hanyagságból bekövetkezett, tűz, folyadék vagy egyéb külső tényező okozta kárt.
- 4) A kézikönyvnek, a használatot bemutató videónak vagy az egyéb Joolz útmutatásnak való meg nem felelésből keletkező kárt.
- 5) Más termék okozta kárt, ide értve a tartozékokat is.
- 6) A Joolz nem hivatalos képviselője által végzett szervizből vagy javításból származó kárt.
- 7) Lopást.
- 8) Légi vagy egyéb szállításból származó kárt.

A biztonság kiemelt szempont volt a Joolz Hub babakocsi és kosár tervezésekor. Ezért a termékeink megfelelnek az alábbiakban felsorolt szabványoknak:

Európa: EN 1888:2012 / EN 1466:2014/AC: 2015
Egyesült Államok: ASTM F833-15 / ASTM F2050-16
Kanada: SOR/2016-167
Ausztrália: AS/NZS 2088:2013

Ha kérdése merülne fel, vagy szeretne visszajelzést küldeni nekünk, akkor látogasson el a joolz.com oldalra, a [facebook.com/myjoolz](https://www.facebook.com/myjoolz) oldalra, vagy vegye fel a kapcsolatot a forgalmazójával.

DÔLEŽITÉ: STAROSTLIVO SI PROSÍM PREČÍTAJTE PRED POUŽITÍM TIETO POKYNY A USCHOVAJTE ICH PRE BUDÚCE POUŽITIE.

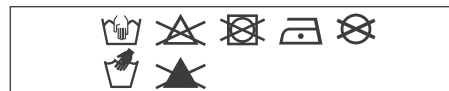
⚠ VAROVANIE

- + Nikdy nenechávajte dieťa bez dozoru.
- + Uistite sa, že sú všetky mechanické zariadenia pred použitím zapojené.
- + Aby nedošlo k zraneniu sa uistite, že vaše dieťa je pri nastavovaní, rozkladaní a skladaní tohto výrobku v bezpečí.
- + Nedovoľte, aby sa vaše dieťa hralo sa s týmto výrobkom.
- + Táto sedačka nie je vhodná pre deti mladšie ako 6 mesiacov.
- + Vždy používajte zadržiavací systém.
- + Skontrolujte pred použitím, či je zariadenie na upevnenie vaničky, sedadla alebo auto sedačky správne zapojené.
- + Tento výrobok nie je vhodný pre beh alebo korčuľovanie.
- + Joolz Hub vaničky a sedadlá sú kompatibilné iba s Joolz Hub podvozkom a naopak.
- + Nepoužívajte ďalšiu matrac.
- + Akékoľvek bremeno pripojené k stranám a/alebo riadidlu kočíka Joolz Hub môže ovplyvniť stabilitu.
- + Joolz Hub vaničky a sedadlá unesú vždy len jedného pasažiera.
- + Používajte iba sedačky, auto sedačky, náhradné diely a príslušenstvo, ktoré sú schválené firmou Joolz.
- + U auto sedačiek v spojení s podvozkom Joolz Hub toto vozidlo nenahrádza vaničku ani posteľ. Ak vaše dieťa potrebuje spať, potom by malo byť umiestnené do vhodnej Joolz Hub vaničky alebo detskej postieľky s vhodným podvozkom.
- + Nepoužívajte kočík, ak sú niektoré z dielov poškodené, natrhnuté alebo chýbajú.
- + Vždy použite otočný zámok na predné kolesá pri skladaní kočíka. Ak tak neurobíte, môže dôjsť k obštrukcii pneumatík, čo vedie k deformácii, a to najmä v horúcom prostredí.
- + Brzdy by mali byť pri vkladaní a vyberaní detí zatiahnuté.
- + Príslušenstvo neposkytované firmou Joolz by sa nemalo používať.
- + Mali by byť použité iba náhradné diely dodávané alebo doporučené firmou Joolz.
- + Táto sedačka je určená pre deti od 6 mesiacov, až do maximálnej hmotnosti 22 kg/48.5 lbs.
- + Dajte pozor na riziko vážneho poranenia v dôsledku pádu alebo sklznutia
- + Pridávanie predmetov, doplnkov a/alebo akejkolvek ďalšej záťaže môže viesť k vzniku rizikových nestabilných situácií.

NÁVOD NA ÚDRŽBU/UMÝVANIE

Vyčistite tkaninu s vlažnou vodou a mydlom.

Opláchnite vlažnou vodou a nechajte uschnúť. Nikdy nepoužívajte bielidlá alebo iné chemické čistiace prostriedky. Pravidelne (približne raz za mesiac) namažte kolesá a kovové diely s teflónovým alebo silikónovým sprejom s cieľom zabezpečiť aby kočík hladko fungoval.



Hliníkové časti vášho kočíka Hub sú eloxované, aby bol chránený pred vonkajšími vplyvmi, ako je korózia. Časti z eloxovaného hliníka sú citlivé na kyslé prostredie alebo mastnotu, ktoré môžu spôsobiť škvrny a zafarbenie hliníkových dielov. Preto vám odporúčame očistiť hliníkové časti vášho kočíka s teplou vodou a mäkkou handričkou.

ZÁRUKA

Joolz ponúka celoživotnú záruku na Joolz Hub. Záruka sa vzťahuje na všetky materiálové vady a výrobné chyby, nie však na výmenu alebo vrátenie výrobku. Na získanie nároku na záruku na celé obdobie životnosti stačí, ak svoj kočík Joolz zaregistrujete do šiestich mesiacov od jeho zakúpenia na webovej stránke register.joolz.com. Originálny doklad o kúpe obsahujúci dátum nákupu si uschovejte. Pokiaľ svoj kočík Joolz nezaregistrujete do šiestich mesiacov od jeho zakúpenia, získate dvojnásobnú záruku.

Záruka je platná iba vtedy, ak dodáte svojmu predajcovi spolu s chybným výrobkom nasledujúce položky:

- 1) Váše osvedčenie o záruke,
- 2) Akýkoľvek doklad totožnosti,
- 3) Kópiu dokladu o kúpe (ktorý obsahuje dátum nákupu),
- 4) Podrobný opis vady.

Osvedčenie o záruke dostanete po zaregistrovaní svojho kočíka Joolz na našej webovej stránke register.joolz.com.

Ak vám váš predajca nemôže pomôcť s vašou

reklamáciou, obráťte sa na firmu Joolz. Upozorňujeme vás, že opravy nepredlžujú záručnú dobu.

ZÁRUKA SA NEVZŤAHUJE NA:

- 1) Chyby spôsobené bežným opotrebením, ako sú opotrebované kolesá a tkaniny v dôsledku každodenného používania, škrabance na hliníku a/alebo kove a prirodzená zmena farby materiálu, ku ktorej časom dochádza, prípadne chyby spôsobené nedodrzaním pokynov na údržbu.
- 2) Poškodenie kolies, ako sú diery a trhliny.
- 3) Poškodenie spôsobené nehodou, nesprávnym použitím, nedbalosťou, požiarom, stykom s kvapalinami alebo iným vonkajším vplyvom.
- 4) Poškodenie, ku ktorému dôjde v dôsledku nedodržania pokynov uvedených v návode na použitie, inštruktážnych filmoch alebo iných usmerneniach spoločnosti Joolz.
- 5) Poškodenie spôsobené iným výrobkom vrátane príslušenstva.
- 6) Poškodenie spôsobené servisom alebo opravou vykonanými neoficiálnym zástupcom spoločnosti Joolz.
- 7) Odcudzenie.
- 8) Poškodenie spôsobené počas leteckej prepravy alebo nákladnej prepravy.

Bezpečnosť bola pri celom vývoji kočíka a vanička Joolz Hub dôležitým hľadiskom. Naše výrobky preto spĺňajú tieto bezpečnostné normy:

Európa: EN 1888:2012 / EN 1466:2014/AC: 2015
Spojené štáty americké:

ASTM F833-15 / ASTM F2050-16

Kanada: SOR/2016-167

Austrália: AS/NZS 2088:2013

Navštívte joolz.com, facebook.com/myjoolz alebo sa obráťte na svojho predajcu pre prípadné otázky a /alebo pripomienky.

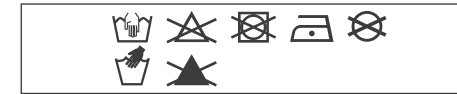
ΣΗΜΑΝΤΙΚΟ: ΔΙΑΒΑΣΤΕ ΑΥΤΕΣ ΤΙΣ ΟΔΗΓΙΕΣ ΠΡΟΣΕΚΤΙΚΑ ΠΡΙΝ ΑΠΟ ΤΗ ΧΡΗΣΗ ΚΑΙ ΦΥΛΑΞΤΕ ΤΙΣ ΓΙΑ ΜΕΛΛΟΝΤΙΚΗ ΑΝΑΦΟΡΑ.

⚠️ ΠΡΟΕΙΔΟΠΟΙΗΣΗ

- + Μην αφήνετε ποτέ το παιδί σας χωρίς επιτήρηση.
- + Βεβαιωθείτε ότι έχουν ενεργοποιηθεί όλες οι διατάξεις ασφάλισης πριν από τη χρήση.
- + Για την αποφυγή τραυματισμού, βεβαιωθείτε ότι το παιδί σας δεν βρίσκεται κοντά όταν ανοίγετε ή κλείνετε το προϊόν.
- + Μην αφήνετε το παιδί σας να παίζει με το προϊόν αυτό.
- + Το κάθισμα δεν είναι κατάλληλο για παιδιά κάτω των 6 μηνών.
- + Χρησιμοποιείτε πάντα το σύστημα πρόσδεσης.
- + Ελέγχετε ότι οι διατάξεις σύνδεσης του λίκνου, του καθίσματος ή του καθίσματος αυτοκινήτου έχουν ασφαλίσει σωστά πριν από τη χρήση.
- + Μην χρησιμοποιείτε το προϊόν αυτό όταν κάνετε τζόκινγκ ή όταν φοράτε πατίνια.
- + Οι διατάξεις του λίκνου και του καθίσματος Joolz Hub είναι συμβατές μόνο με το σκελετό Joolz Hub και αντίστροφα.
- + Μην χρησιμοποιείτε επιπλέον στρώμα.
- + Τυχόν βάρος που θα προσδεθεί στις πλευρές ή/και τη λαβή του καροτσιού Joolz Hub ενδέχεται να επηρεάσει τη σταθερότητά του.
- + Οι διατάξεις του λίκνου και του καθίσματος Joolz Hub μπορούν να μεταφέρουν ένα παιδί η κάθε μία.
- + Χρησιμοποιείτε μόνο καθίσματα σώματος, καθίσματα αυτοκινήτου, εξαρτήματα αντικατάστασης και αξεσουάρ που είναι εγκεκριμένα από την Joolz.
- + Για καθίσματα αυτοκινήτου σε συνδυασμό με το σκελετό Joolz Hub, αυτό το σύστημα μεταφοράς δεν αντικαθιστά λίκνο ή κρεβάτι. Αν το παιδί σας πρέπει να κοιμηθεί, πρέπει να τοποθετηθεί στο καρότσι, λίκνο ή κρεβάτι Joolz Hub .
- + Μην χρησιμοποιείτε το καρότσι αν οποιοδήποτε τμήμα του είναι φθαρμένο, σχισμένο ή λείπει.
- + Εφαρμόζετε πάντα την ασφάλεια περιστροφής στους μπροστινούς τροχούς όταν διπλώνετε το καρότσι. Σε αντίθετη περίπτωση ενδέχεται να προκληθεί εμπλοκή στα ελαστικά, με αποτέλεσμα παραμόρφωση, ειδικά σε ζεστό περιβάλλον.
- + Τα φρένα πρέπει να είναι πάντοτε ασφαλισμένα κατά την τοποθέτηση και την απομάκρυνση του παιδιού.
- + Δεν πρέπει να χρησιμοποιούνται αξεσουάρ που δεν παρέχονται από την Joolz.
- + Πρέπει να χρησιμοποιούνται μόνο ανταλλακτικά που παρέχονται ή συνιστώνται από την Joolz.
- + Το κάθισμα αυτό προορίζεται για παιδιά από 6 μηνών έως το πολύ 22 kg/48.5 lbs.
- + Αποφύγετε σοβαρούς τραυματισμούς από πτώσεις ή ολισθήσεις
- + Η προσθήκη πακέτων, αξεσουάρ ή/και υπερβολικού βάρους ενδέχεται να προκαλέσει επικίνδυνες συνθήκες αστάθειας.

ΣΥΝΤΗΡΗΣΗ / ΟΔΗΓΙΕΣ ΠΛΥΣΙΜΑΤΟΣ

Καθαρίστε το ύφασμα με χλιαρό νερό και σαπούνι. Ξεπλύνετε με καθαρό νερό και αφήστε το να στεγνώσει. Μην χρησιμοποιείτε ποτέ χλωρίνη ή άλλα χημικά απορρυπαντικά. Ανά τακτά χρονικά διαστήματα (περίπου μία φορά το μήνα) να χρησιμοποιείτε Teflon ή σπρέι σιλικόνης στους τροχούς και τα μεταλλικά μέρη, για να διασφαλίζετε την ομαλή κίνηση του καροτσιού.



Τα μέρη του καροτσιού Hub από αλουμίνιο είναι ανοδιωμένα για να προστατεύονται από εξωτερικές επιδράσεις όπως η διάβρωση. Τα μέρη από ανοδιωμένο αλουμίνιο είναι ευάλωτα σε όξινα καθαριστικά ή γράσο, τα οποία μπορεί να προκαλέσουν λεκέδες και αποχρωματισμούς στο αλουμίνιο. Συνεπώς, συνιστάται να καθαρίζετε τα μέρη του καροτσιού από αλουμίνιο με ζεστό νερό και ένα μαλακό πανί.

ΕΓΓΥΗΣΗ

Η Joolz προσφέρει διά παντός εγγύηση για το Joolz Hub. Η εγγύηση καλύπτει όλα τα ελαττώματα υλικού και κατασκευής, αλλά όχι την ανταλλαγή ή επιστροφή του προϊόντος. Για να δικαιούστε την εγγύηση διά παντός, το μόνο που πρέπει να κάνετε είναι να καταχωρίσετε το καρότσι σας Joolz στη διεύθυνση register.joolz.com μέσα σε έξι μήνες από την αγορά και να κρατήσετε την αρχική απόδειξη αγοράς που περιλαμβάνει και την ημερομηνία αγοράς. Σε περίπτωση που δεν καταχωρίσετε το καρότσι σας Joolz εντός έξι μηνών από την αγορά, θα λάβετε εγγύηση δύο ετών.

Η εγγύηση ισχύει μόνο αν προσκομίσετε στο μεταπωλητή σας το ελαττωματικό προϊόν μαζί με τα παρακάτω:

- 1) πιστοποιητικό εγγύησης,
- 2) οποιοδήποτε έγγραφο που να πιστοποιεί την ταυτότητά σας,
- 3) αντίγραφο της απόδειξης αγοράς (συμπεριλαμβανομένης της ημερομηνίας αγοράς),
- 4) λεπτομερή περιγραφή του ελαττώματος.

Θα παραλάβετε το πιστοποιητικό εγγύησης μετά την καταχώριση του καροτσιού σας Joolz στον ιστότοπό μας, register.joolz.com.

Αν ο μεταπωλητής δεν μπορεί να βοηθήσει με το πρόβλημά σας, επικοινωνήστε με την Joolz. Έχετε υπόψη ότι οποιαδήποτε επισκευή δεν παρατείνει την περίοδο εγγύησης.

Η ΕΓΓΥΗΣΗ ΔΕΝ ΚΑΛΥΠΤΕΙ:

- 1) Ελαττώματα που έχουν προκληθεί από φυσιολογικές ζημιές και φθορές, όπως φθαρμένοι τροχοί και υφάσματα λόγω καθημερινής χρήσης, γρατζουνιές στα μέρη από αλουμίνιο ή/και μέταλλο και φυσικό αποχρωματισμό των υλικών με την πάροδο του χρόνου ή ελαττώματα που προκλήθηκαν επειδή δεν τηρήθηκαν οι οδηγίες συντήρησης.
- 2) Ζημιές στους τροχούς, όπως τρύπες και σχισίματα.
- 3) Ζημιές που έχουν προκληθεί από ατυχήματα, ακατάλληλη χρήση, αμέλεια, πυρκαγιά, επαφή με υγρά ή άλλες εξωτερικές αιτίες.
- 4) Ζημιές που οφείλονται σε μη συμμόρφωση με το εγχειρίδιο οδηγιών, τις ταινίες οδηγιών ή άλλες οδηγίες από την Joolz.
- 5) Ζημιές που έχουν προκληθεί από άλλα προϊόντα, συμπεριλαμβανομένων των αξεσουάρ.
- 6) Ζημιές από σέρβις ή επισκευή από μη επίσημο αντιπρόσωπο της Joolz.
- 7) Κλοπή.
- 8) Ζημιές κατά την αερομεταφορά ή την αποστολή.

Η ασφάλεια ήταν σημαντικός παράγοντας σε ολόκληρο το σχεδιασμό του καροτσιού και του λίκνου Joolz Hub. Τα προϊόντα μας επομένως πληρούν τα παρακάτω πρότυπα ασφαλείας:

Ευρώπη: EN 1888:2012 / EN 1466:2014/AC: 2015
 Ηνωμένες Πολιτείες: ASTM F833-15 / ASTM F2050-16
 Καναδάς: SOR/2016-167
 Αυστραλία: AS/NZS 2088:2013

Επισκεφτείτε τις διευθύνσεις joolz.com, [facebook.com/joolz](https://www.facebook.com/joolz) ή επικοινωνήστε με το μεταπωλητή σας για τυχόν ερωτήσεις ή/και σχόλια.

هام: يرجى قراءة هذه التعليمات جيداً قبل استعمال المهد والاحتفاظ بها للرجوع إليها مستقبلاً.

⚠ تحذير

- + لا تتركوا طفلكم وحيداً من دون مراقبة أبداً.
- + تأكدوا من ربط جميع أجهزة الغلق قبل استعمال المهد.
- + لتفادي الإصابات تأكدوا من إبعاد طفلكم عند تعديل وبسط وطّي هذا المنتج.
- + لا تدعوا طفلكم يلعب بهذا المنتج.
- + وحدة المقعد هذه ليست مناسبة للأطفال أقل من ٦ أشهر.
- + تفادوا الإصابة البالغة جراء السقوط أو التزلق من المهد وذلك باستخدام نظام الكبح.
- + قوموا بتفحص وصلات المهد أو المقعد أو وحدة مقعد السيارة والتأكد من أنها مربوطة بشكل جيد قبل الاستعمال.
- + هذا المنتج غير مناسب للركض أو التزلق.
- + وحدات المهد والمقعد من Joolz Hub تلائم فقط هياكل Joolz Hub والعكس بالعكس.
- + لا تستعملوا مرتبة إضافية.
- + قد يؤثّر أي حمل معلق على جوانب و/أو مقبض كرسي الدفع من Joolz Hub على توازن الكرسي.
- + لا يمكن حمل أكثر من طفل واحد في كل من المهد أو وحدة مقعد Joolz Hub.
- + ينبغي استخدام المقاعد ومقاعد السيارة وقطع الغيار والإكسسوارات المعتمدة من طرف Joolz فقط.
- + هذه المركبة لا تعوض المهد أو السرير بالنسبة لمقاعد السيارة بالموازاة مع هياكل Joolz Hub. إذا احتاج طفلكم إلى النوم فعليكم وضعه في هيكل أو مهد أو سرير كرسي الدفع من Joolz Hub.
- + لا تستخدموا كرسي الدفع إذا كانت أي من الأجزاء تالفة أو مقطعة أو مفقودة.
- + استخدموا دائماً القفل الدوّار للعجلات الأمامية عند طّي كرسي الدفع. قد يؤدي عدم استخدام القفل إلى إيقاف العجلات ما قد يسبب في اعوجاجها وخصوصاً في الأجواء الحارة.
- + ينبغي تشغيل الكوابح في كل مرة يوضع فيها الأطفال في المهد أو يخرجوا منه.
- + ينبغي عدم استعمال الإكسسوارات التي لم يتم توفيرها من طرف Joolz.
- + ينبغي استعمال قطع الغيار التي توفرها أو توصي بها Joolz فقط.

تعليمات الصيانة/التنظيف

ينظف القماش بالماء الفاتر والصابون. يشطف بماء نقي ويترك ليجف. لا تستعملوا مطلقاً الكلور المبيض أو مواد تنظيف كيميائية أخرى. تعالج العجلات والأجزاء المعدنية من حين لآخر (مرة في الشهر تقريباً) بسبراي التفلون أو السيلكون لضمان عمل كرسي الدفع بسلاسة.



تم طلاء أجزاء الألمنيوم لكرسي الدفع من Hub بأكسيد الألمنيوم لحمايتها من التأثيرات الخارجية مثل التآكل والأكسدة. تتأثر أجزاء الألمنيوم المطلية بأكسيد الألمنيوم بمواد التنظيف أو التشحيم الحمضية التي قد تسبب في ظهور بقع وتغير في لون أجزاء الألمنيوم. لذلك ننصحكم بتنظيف أجزاء الألمنيوم لكرسي الدفع الخاص بكم بماء دافئ وقطعة قماش ناعمة.

الضمان

توفر Joolz ضماناً على مدى الحياة لمنتج Joolz Hub. يشمل الضمان جميع المواد وعيوب التصنيع، لكنه لا يشمل استبدال أو إرجاع المنتج. للحصول على الضمان على مدى الحياة ما عليكم إلا تسجيل كرسي الدفع الخاص بكم على register.joolz.com خلال ستة أشهر من شرائكم للمنتج والاحتفاظ بوصول الشراء الأصلي، بما في ذلك تاريخ الشراء. إذا لم تسجلوا كرسي الدفع الخاص بكم خلال ستة أشهر من شرائكم للمنتج، فسوف تحصلون على ضمان سنتين.

الضمان صالح فقط إذا أرسلتم المنتج المعيب لبائعكم مصحوباً بالوثائق التالية.

- (١) شهادة الضمان الخاصة بكم،
 - (٢) أي نوع من بطاقات التعريف الشخصية،
 - (٣) صورة لوصول الشراء الأصلي (بما في ذلك تاريخ الشراء)،
 - (٤) وصف مفصل وديق للعيوب.
- سوف تتوصلون بشهادة الضمان بعد تسجيلكم لكرسي الدفع Joolz الخاص بكم على موقعنا register.joolz.com.

إذا لم يتمكن بائعكم من مساعدتكم لحل شكايته، يرجى الاتصال بشركة Joolz. يرجى الملاحظة بأن الإصلاحات لا تمتد لفترة الضمان.

لا يشمل الضمان ما يلي:

- (١) العيوب الناتجة عن الاهتراء العادي، مثل العجلات والقماش المهترئ نتيجة الاستعمال اليومي، والخدوش على أجزاء الألمنيوم و/أو الأجزاء المعدنية، والتغير الطبيعي للون المواد مع الزمن، أو بسبب عدم اتباع تعليمات الصيانة.
- (٢) الأضرار التي تطال العجلات من قبيل الثقوب والتمزقات.
- (٣) الأضرار الناجمة عن الحوادث أو الاستعمال غير الصحيح أو الإهمال أو الحريق أو السوائل أو أسباب خارجية أخرى.
- (٤) الأضرار الناجمة عن عدم اتباع دليل التعليمات أو أشرطة التعليمات أو الخطوط الإرشادية الأخرى لـ Joolz.
- (٥) الأضرار التي يسببها منتج آخر، بما فيه الإكسسوارات.
- (٦) الأضرار الناجمة عن الخدمات أو الإصلاحات التي يقوم بها ممثل غير رسمي لـ Joolz.
- (٧) السرقة.
- (٨) الأضرار الناجمة عن النقل الجوي أو الشحن.

لقد تم إلقاء العناية الكاملة لمسألة السلامة في كل مراحل تطوير مهد وكرسي الدفع من Joolz Hub. لذلك فمنتجاتنا تستوفي معايير السلامة التالية:

أوروبا: EN 1888:2012 / EN 1466:2014/AC: 2015
الولايات المتحدة: ASTM F2050-16 / ASTM F833-15
كندا: SOR/2016-167
أستراليا AS/NZS 2088:2013

يرجى زيارة joolz.com أو facebook.com/myjoolz أو الاتصال ببائعكم بخصوص أي أسئلة و/أو ملاحظات.

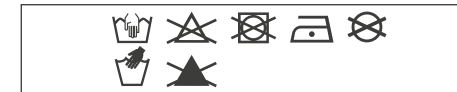
BELANGRIK: LEES ASSEBLIEF HIERDIE INSTRUKSIES NOUKEURIG VÓÓR GEBRUIK EN HOU DIT OM IN DIE TOEKOMS TE RAADPLEEG.

⚠️ WAARSKUWINGS

- + Moet nooit jou kind sonder toesig laat nie.
- + Maak seker dat al die sluittoestelle gekoppel is vóór gebruik.
- + Om besering te vermy, maak seker dat jou kind weggehou word wanneer jy dié produk oop- en toevou of verstel.
- + Moenie jou kind toelaat om met hierdie produk te speel nie.
- + Hierdie sitplekkeenheid is nie geskik vir kinders onder 6 maande nie.
- + Gebruik altyd die weerhoudingstelsel.
- + Maak seker dat die aanhegtoestelle vir die bababedjie-, sitplek- of karstoeltjie-eenhede korrek aangesluit is vóór gebruik.
- + Dié produk is nie geskik vir hardloop of skaats nie.
- + Die Joolz Hub -bababedjie en sitplekkeenheide is slegs verenigbaar met die Joolz Hub-onderstel en omgekeerd.
- + Moenie 'n ekstra matras gebruik nie.
- + Enige lading wat aan die kante of stuur van die Joolz Hub -stootwaentjie gehang word, kan die stabiliteit daarvan affekteer.
- + Die Joolz Hub -bababedjie of sitplekkeenheide kan elk net een passasier dra.
- + Gebruik net liggaamsitplekke, karstoeltjies, vervangingsonderdele en bybehore wat deur Joolz goedgekeur is.
- + Vir karstoeltjies in kombinasie met die Joolz Hub-onderstel; dié voertuig vervang nie 'n bababedjie of 'n bed nie. As dit nodig word vir jou kind om te slaap moet hy/sy in die Joolz Hub stootwaentjie-onderstel-, bababedjie of 'n bed neergelê word.
- + Moenie die stootwaentjie gebruik as enige van die onderdele beskadig, geskeur of weg is nie.
- + Gebruik altyd die rotasieslot op die voorwiele wanneer die stootwaentjie toegevoeg word. Versuim om dit te doen kan lei tot obstruksie van die bande, wat vervorming kan veroorsaak, veral in 'n warm omgewing.
- + Koppel altyd die remme wanneer kinders in die waentjie geplaas, of daaruit gehaal word.
- + Moenie bybehore wat nie deur Joolz beskikbaar gestel word nie, gebruik nie.
- + Gebruik slegs onderdele wat deur Joolz verskaf of aanbeveel word.
- + Dié sitplek is bedoel vir kinders van 6 maande tot 'n maksimum gewig van 22 kg/48.5 lbs.
- + Vermy ernstige beserings as gevolg van val of uitgly.
- + Deur pakkies, bykomende items en/of ekstra gewig by te sit, kan gevaarlike onstabiele toestande veroorsaak word.

ONDERHOUD / WASINSTRUKSIES

Maak die materiaal met loutewarm water en seep skoon. Spoel dit met vars water en laat dit droog word. Moet nooit bleikmiddels of ander chemiese reinigers gebruik nie. Behandel die wiele en metaaldele periodiek (ongeveer een keer per maand) met Teflon- of silikonsproei om seker te maak dat die stootwaentjie aanhou om glad te loop.



Die aluminiumdele van jou Hub-stootwaentjie is geanodiseer om dit te beskerm teen eksterne invloede soos korrosie. Geanodiseerde aluminium-onderdele kan beskadig word deur suurreinigers of vetterigheid, en dit kan vlekke of verkleuring van die aluminiumonderdele veroorsaak. Daarom raai ons jou aan om die aluminiumonderdele van jou stootwaentjie met warm water en 'n sagte doek skoon te maak.

WAARBORG

Joolz bied 'n lewenslange waarborg op die Joolz Hub. Die waarborg dek alle materiale en vervaardigingfoute, maar nie die omruil of teruggee van die produk nie. Om vir die lewenslange waarborg te kwalifiseer moet jy net binne ses maande ná aankoop jou Joolz-stootwaentjie op register.joolz.com registreer en jou oorspronklike aankoopbewys met die aankoopdatum bewaar. As jy nie jou Joolz-stootwaentjie binne ses maande ná aankope registreer nie, sal jy 'n twee-jaar-waarborg ontvang.

Die waarborg is slegs geldig as jy die volgende items saam met die defektiewe produk aan jou handelaar beskikbaar stel:

- 1) Jou waarborg-sertifikaat
- 2) Enige vorm van persoonlike identifikasie
- 3) 'N afskrif van die aankoopbewys (met die aankoopdatum)
- 4) 'N gedetailleerde beskrywing van die defek.

Jy sal die waarborgsertifikaat ontvang nadat jy jou Joolz-stootwaentjie op ons webblad (register.joolz.com) geregistreer het.

As die handelaar jou nie kan help met jou klagte nie, kontak asseblief vir Joolz. Let wel, enige herstelwerk verleng nie die waarborgperiode nie.

DIE WAARBORG DEK NIE:

- 1) Defekte wat deur normale slytasie, soos uitgewerkte wiele en tekstiel wat deur alledaagse gebruik verweer is, krappe op die aluminium en/of metaal en natuurlike verkleuring van materiale wat deur die verloop van tyd veroorsaak is, of skade wat ontstaan deur nie die instandhoudinginstruksies te volg nie.
- 2) Skade aan die wiele, soos gate en skeure.
- 3) Skade veroorsaak deur ongelukke, verkeerde gebruik, nalatigheid, brand, kontak met vloeistowwe of ander eksterne oorsake.
- 4) Skade veroorsaak deur nienakoming van die instruksiehandleiding, instruksiefilms of ander Joolz-ryglyne.
- 5) Skade veroorsaak deur 'n ander produk, met inbegrip van bybehore.
- 6) Skade veroorsaak deur diens of herstelwerk gedoen deur iemand wat nie 'n amptelike verteenwoordiger van Joolz is nie.
- 7) Diefstal.
- 8) Lugvervoer of vragskade.

Veiligheid was 'n belangrike oorweging deur die hele ontwikkelingsproses van die Joolz Hub-stootwaentjie en bababedjie. Derhalwe voldoen ons produkte aan die hoogste veiligheidsstandaarde:

Europa: EN 1888:2012 / EN 1466:2014/AC: 2015
 Verenigde State: ASTM F833-15 / ASTM F2050-16
 Kanada: SOR/2016-167
 Australië: AS/NZS 2088:2013

Besoek asseblief joolz.com, [facebook.com/myjoolz](https://www.facebook.com/myjoolz) of kontak u handelaar vir enige vrae en/of kommentaar.



enjoy the ride #myjoolz



JOO LZ POSITIVE
DESIGN
stroll around the world of joolz.com